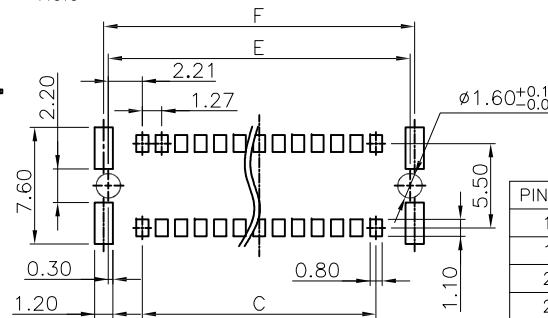
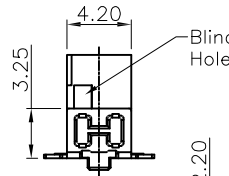
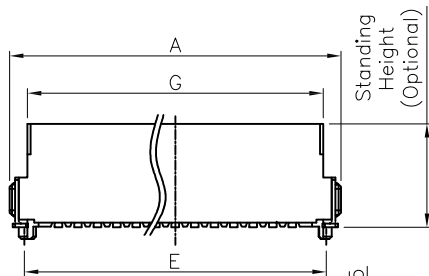
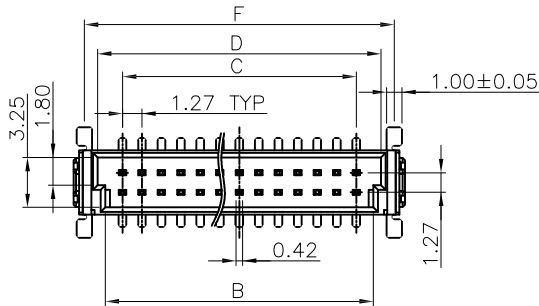
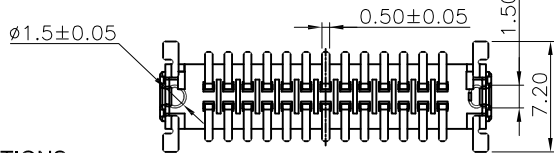
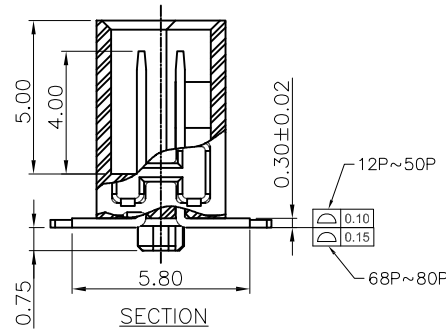


APPROVED: \_\_\_\_\_  
 DATE: \_\_\_\_\_ TITLE: \_\_\_\_\_

Rev	AWO #	Description	Date	Appr
-		RELEASED	3/20/17	
A		ADDED PIN NUMBER OPTION	4/16/18	HR/TY
B		UPDATE DRAWING	3/19/20	LH/AC



RECOMMENDED PCB LAYOUT



PIN NO.	A	B	C	D	E	F	G
12	12.70	8.57	6.35	9.57	10.77	11.34	10.37
16	15.24	11.11	8.89	12.11	13.31	13.88	12.91
20	17.78	13.65	11.43	14.65	15.85	16.42	15.45
24	20.32	16.19	13.97	17.19	18.39	18.96	17.99
26	21.59	17.46	15.24	18.46	19.66	20.23	19.26
30	24.13	20.00	17.78	21.00	22.20	22.77	21.80
32	25.40	21.27	19.05	22.27	23.47	24.04	23.07
40	30.48	26.35	24.13	27.35	28.55	29.12	28.15
50	36.83	32.70	30.48	33.70	34.90	35.47	34.50
68	48.26	44.13	41.91	45.13	46.33	46.90	45.93
80	55.88	51.75	49.53	52.75	53.95	54.52	53.55

**SPECIFICATIONS:**

**Material:**  
 Insulator: Hi-temp thermoplastic, rated UL 94V-0  
 Insulator color: Black  
 Contacts: Phosphor Bronze  
 Board Lock: Brass, Tin plated  
 Plating:  
 Gold flash over Nickel underplate on contact area,  
 Tin over Nickel underplate on solder tails  
**Electrical:**  
 Current rating: 1.2 A max  
 Contact resistance: 25 mohms max  
 Insulation resistance: 1,000 Mohms min  
 Withstanding voltage: 500 VAC for 1 minute  
**Temperature Rating:**  
 Operating temperature: -55°C to +125°C  
**Environmental:**  
 Lead free, RoHS compliant.



PACKAGED ON TAPE & REEL

UNLESS OTHERWISE SPECIFIED ALL DIMENSIONS ARE MILLIMETERS TOLERANCES: EXCEPT AS NOTED			
MM		ANGLE	
.X	± 0.35	± 2'	
.XX	± 0.20		
.XXX	± 0.10		
APPROVALS		DATE	
DRAWN	AY	3/20/17	
CHECKED	MC	3/20/17	
APPROVED			

**ADAM TECH** INTERCONNECTS  
 909 Rahway Avenue,  
 Union, NJ 07083  
 Phone: 908-687-5000  
 Fax: 908-687-5710

TITLE 1.27mm BOARD TO BOARD STACKING CONNECTOR, MALE, VERTICAL, SMT TYPE			
SIZE X	PART NO. ESMC-M-XX-SGS-SMT-X-PP-T/R	REV. B	
REF: S00242T	SCALE: NTS	SHEET 1 OF 2	

6

5

4

3

2

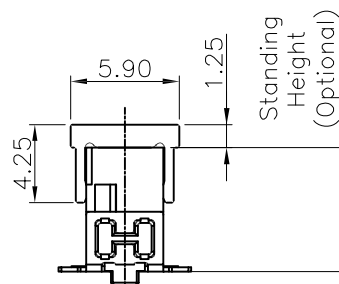
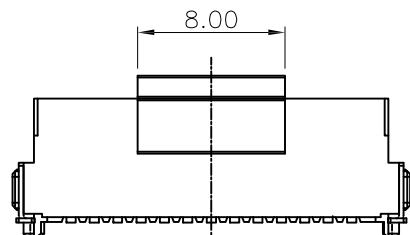
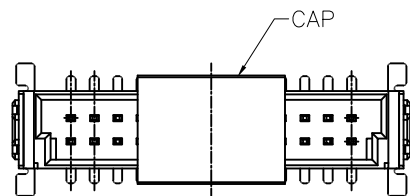
1

APPROVED: \_\_\_\_\_

DATE: \_\_\_\_\_ TITLE: \_\_\_\_\_

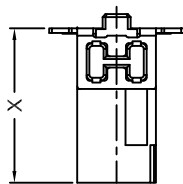
Rev	AWO #	Description	Date	Appr
-----	-------	-------------	------	------

SEE SHT 1 OF 2 FOR REVISION

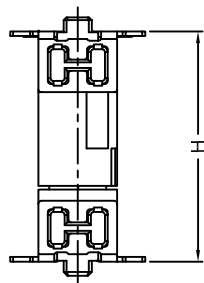


Standing Height (Optional)

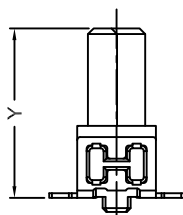
Male Series



Matting →



Female Series



Part No.	Connector Height		Stacking Height
	(X)Male	(Y)Female	H(Matting)
ESMC-M-XX-SGS-SMT-A-PP-T/R	6.75	6.25	8.0
		9.05	10.8
		13.65	15.4
ESMC-M-XX-SGS-SMT-B-PP-T/R	8.25	6.25	9.5
		9.05	12.3
		13.65	16.9
ESMC-M-XX-SGS-SMT-C-PP-T/R	9.85	6.25	11.1
		9.05	13.9
		13.65	18.5

UNLESS OTHERWISE SPECIFIED  
 ALL DIMENSIONS ARE MILLIMETERS  
 TOLERANCES: EXCEPT AS NOTED

.X	± 0.35	ANGLE	± 2°
.XX	± 0.20		
.XXX	± 0.10		

**ADAM TECH** INTERCONNECTS  
 909 Rahway Avenue,  
 Union, NJ 07083  
 Phone: 908-687-5000  
 Fax: 908-687-5710

APPROVALS		DATE
DRAWN	AY	3/20/17
CHECKED	MC	3/20/17
APPROVED		

TITLE			
1.27mm BOARD TO BOARD STACKING CONNECTOR, MALE, VERTICAL, SMT TYPE			
SIZE	PART NO.	REV.	
X	ESMC-M-XX-SGS-SMT-X-PP-T/R	B	
REF: S00242T	SCALE: NTS	SHEET 2 OF 2	

6

5

4

3

2

1