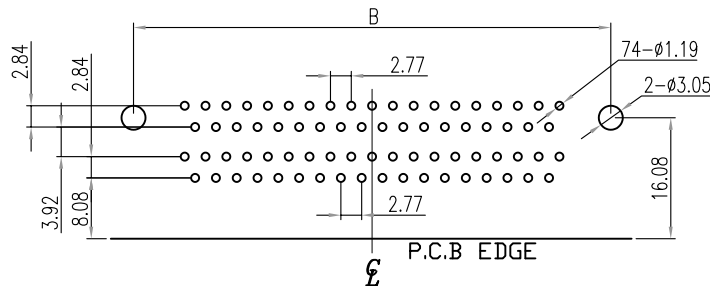
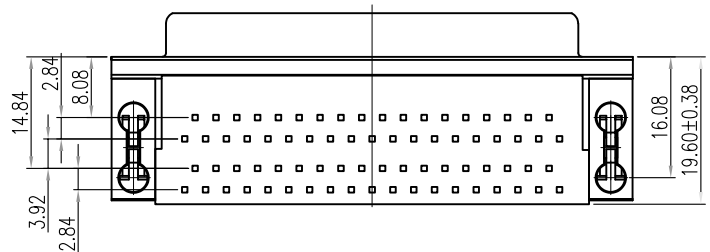
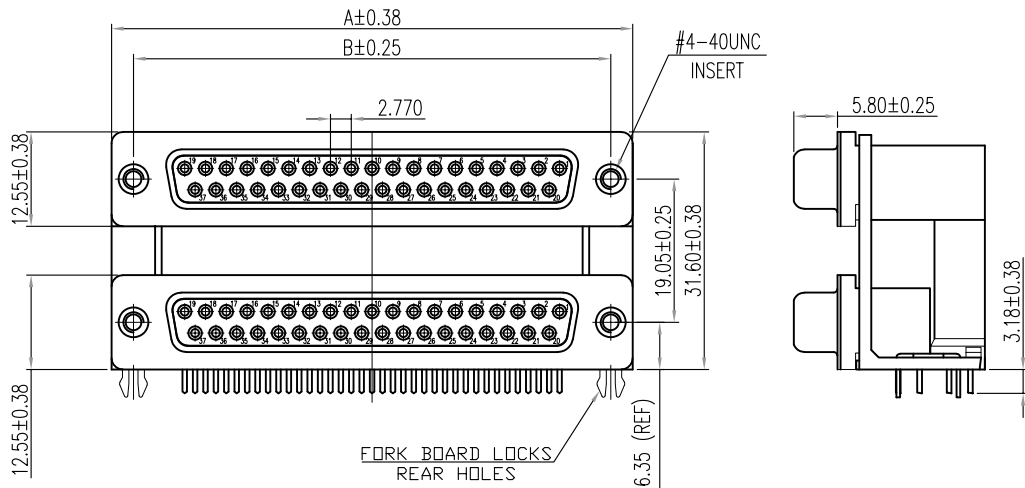


37 PIN SHOWN



RECOMMENDED P.C.B LAYOUT

SPECIFICATIONS:

ELECTRICAL:

INSULATION RESISTANCE: 5 GΩ MIN.
 DIELECTRIC WITHSTANDING VOLTAGE: 1000 VAC FOR 1 MIN
 OPERATING TEMPERATURE: -55°C TO +105°C
 CURRENT RATING: 5 AMPS

MATERIALS:

CONTACTS: BRASS, GOLD PLATED
 INSULATOR: UL94V-0 RATED, BLACK PA9T
 260°C PROCESS TEMP.
 SHELL: NICKEL PLATED STEEL
 BOARD LOCK: TIN PLATED BRASS

DIMENSIONS: mm				
	9	15	25	37
A	30.58	38.99	52.78	69.32
B	24.99	33.32	46.99	63.50

178-YYY-513R69Y

SERIES _____
 POSITIONS _____
 009
 015
 025
 037
 GENDER _____
 31 = FEMALE OVER MALE
 41 = MALE OVER FEMALE
 51 = FEMALE OVER FEMALE
 61 = MALE OVER MALE
 SHELL PLATING _____
 3 = NICKEL
 HARDWARE OPTIONS _____
 69 = 4-40 INSERTS/BOARD LOCKS (REAR)
 PLATING OPTIONS _____
 1 = GOLD FLASH (ENTIRE CONTACT)
 A = 30u" GOLD MATING AREA/GOLD FLASH TAILS
 9 = 30u" GOLD IN MATING AREA/TIN TAILS

RoHS COMPLIANT



THESE DRAWINGS AND SPECIFICATIONS ARE THE PROPERTY OF NorComp AND SHALL NOT BE REPRODUCED, COPIED OR USED AS THE BASIS FOR THE MANUFACTURE OR SALE OF APPARATUS WITHOUT WRITTEN PERMISSION.

DRAWN:

C. SMITH

DATE:

03/30/2007

UNITS = mm

DO NOT SCALE FROM DRAWING

NorComp

SCALE: NTS

SHEET 1 OF 1

REV 11

DWG NO.

178-YYY-513R69Y