

CTGSR74BF Series

From 4.7 μ H to 270 μ H



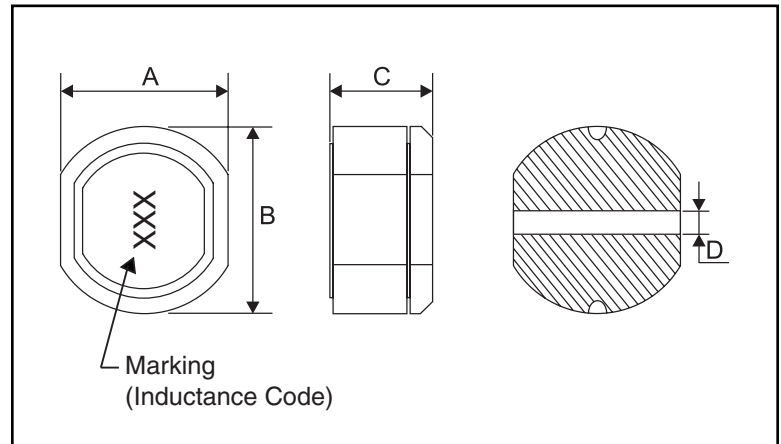
SPECIFICATIONS

Please specify tolerance code when ordering.
 CTGSR74BF-100_ ← L = $\pm 15\%$, M = $\pm 20\%$, N = $\pm 30\%$

Part Number	Inductance (μ H)	L Test Freq. (Hz)	DCR Max. (Ω)	Rated DC (A)
CTGSR74BF-4R7N	4.7	100k	0.03	3.15
CTGSR74BF-100_	10	2.52M	0.07	1.65
CTGSR74BF-120_	12	2.52M	0.07	1.57
CTGSR74BF-150_	15	2.52M	0.08	1.39
CTGSR74BF-180_	18	2.52M	0.10	1.29
CTGSR74BF-220_	22	2.52M	0.13	1.12
CTGSR74BF-270_	27	2.52M	0.16	1.06
CTGSR74BF-330_	33	2.52M	0.18	0.97
CTGSR74BF-390_	39	2.52M	0.18	0.91
CTGSR74BF-470_	47	2.52M	0.27	0.80
CTGSR74BF-560_	56	2.52M	0.29	0.76
CTGSR74BF-680_	68	2.52M	0.33	0.68
CTGSR74BF-820_	82	2.52M	0.43	0.62
CTGSR74BF-101_	100	1.00k	0.49	0.55
CTGSR74BF-121_	120	1.00k	0.68	0.49
CTGSR74BF-151_	150	1.00k	0.94	0.44
CTGSR74BF-181_	180	1.00k	1.00	0.40
CTGSR74BF-221_	220	1.00k	1.18	0.36
CTGSR74BF-271_	270	1.00k	1.30	0.33

PHYSICAL DIMENSIONS

Size	A Max.	B Max.	C Max.	D Ref.
mm	7.35	8.15	4.9	2.1
inches	0.29	0.32	0.19	0.08



CHARACTERISTICS

- Description:** SMD (shielded) power inductor
- Applications:** Power supplies for OA equipment, LCD televisions, PC notebooks, portable communication equipment, DC/DC converters
- Operating Temperature:** -40°C to +85°C
- Storage Temperature:** -40°C to +85°C
- Inductance Tolerance:** $\pm 15\%$, $\pm 20\%$, $\pm 30\%$
- Testing:** Inductance is tested on an HP4285A at a specified frequency
- Packaging:** Tape & Reel, 1,000 parts per reel
- Marking:** Marked with inductance code
- Miscellaneous:** RoHS Compliant.
- Additional Information:** Additional electrical & physical information available upon request.
- Samples available. See website for ordering information.**