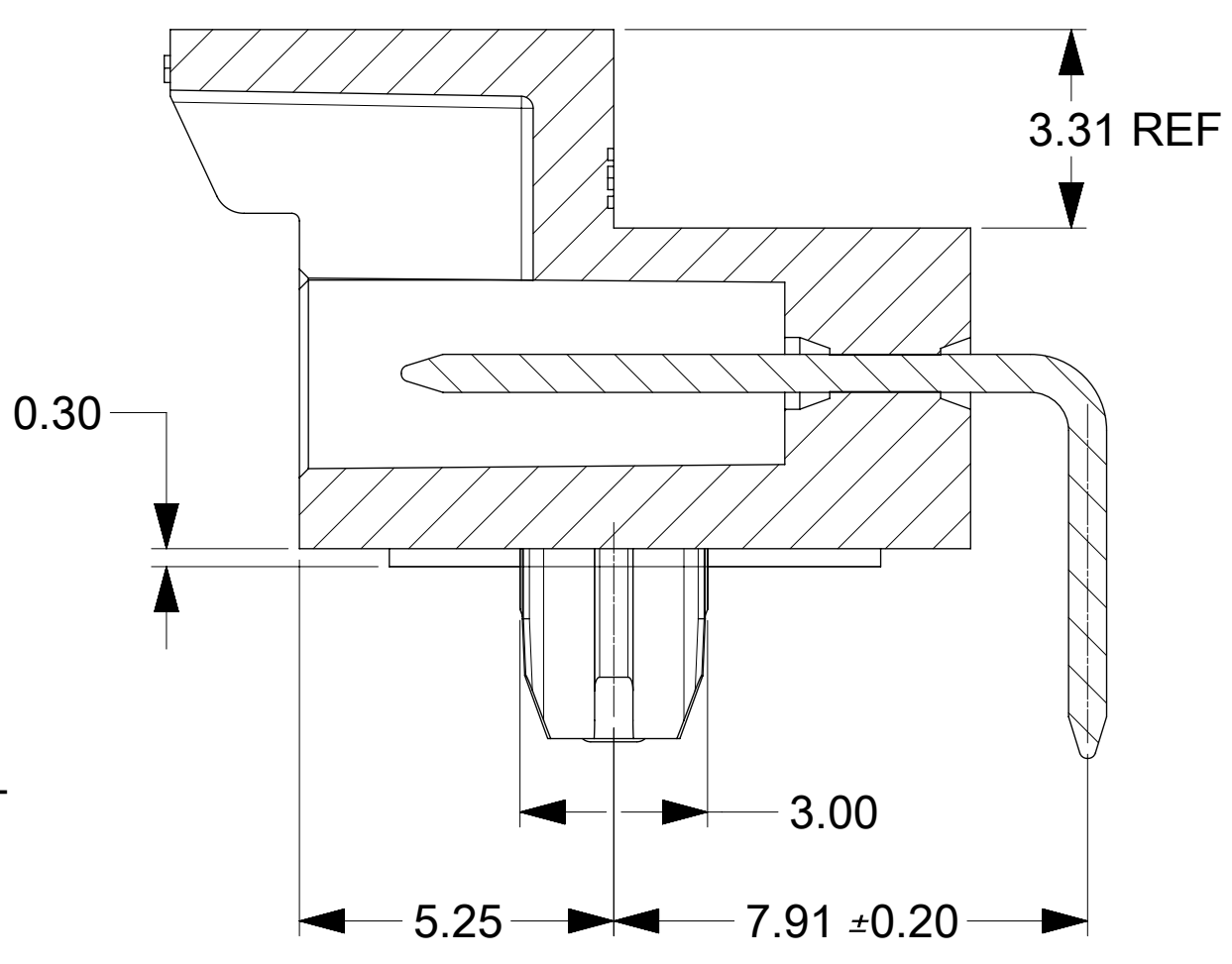
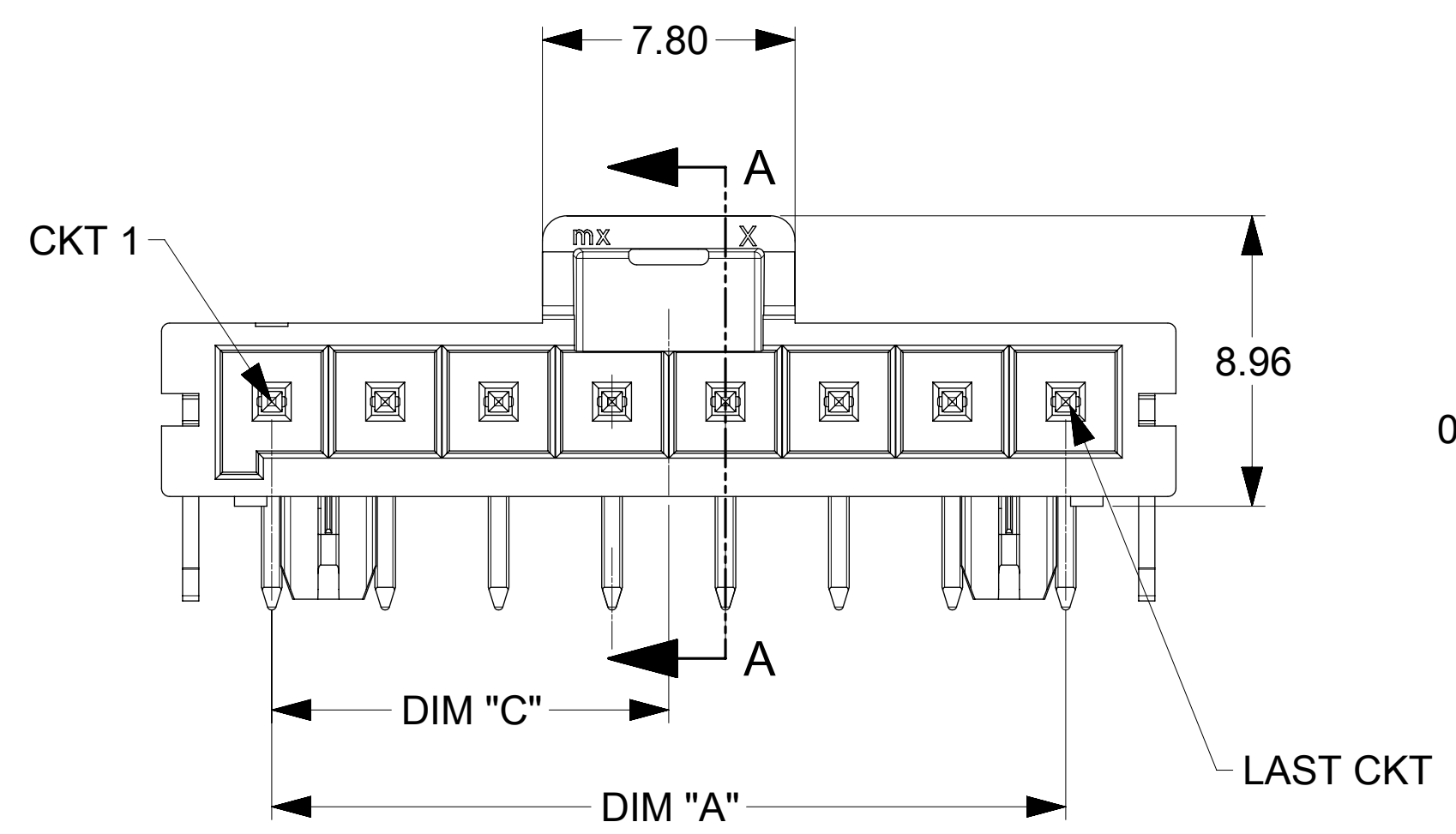
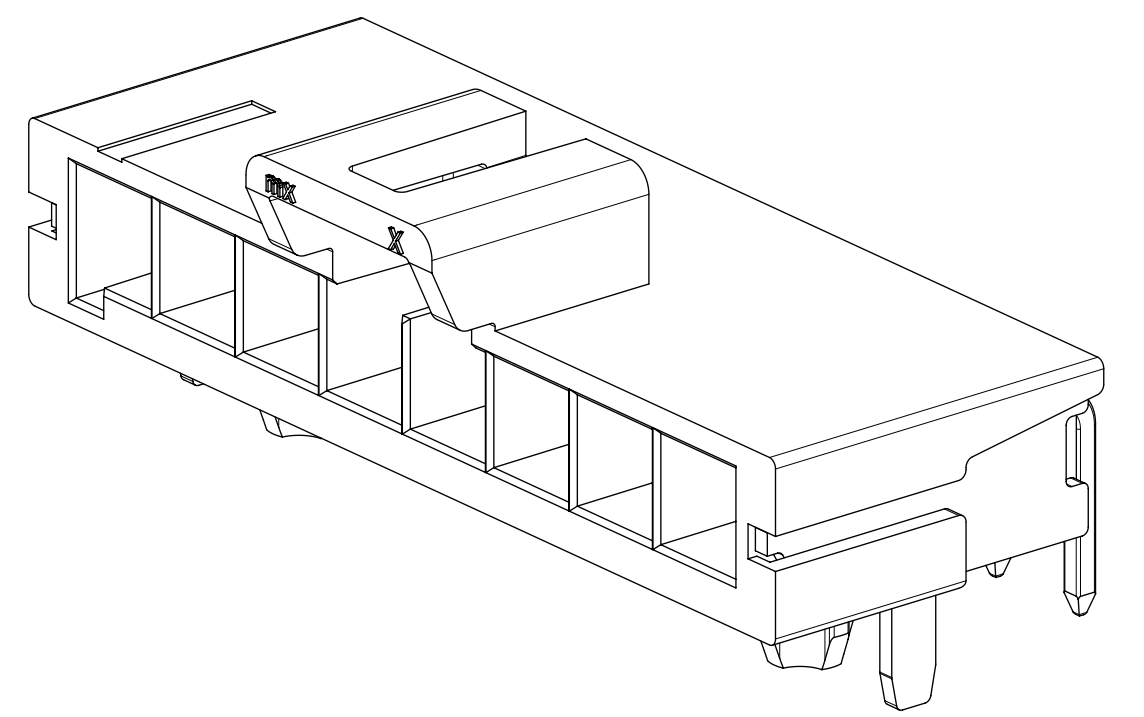
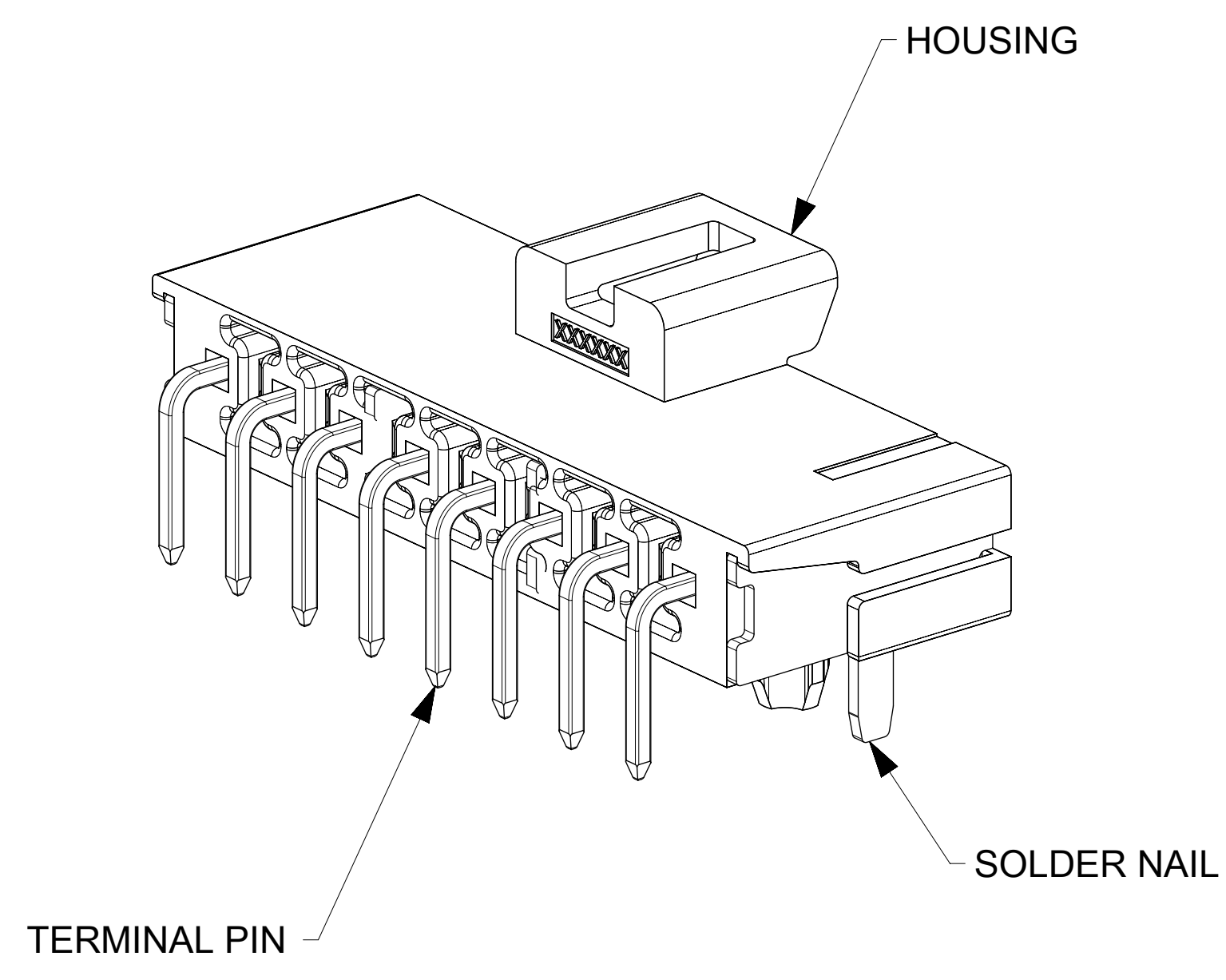
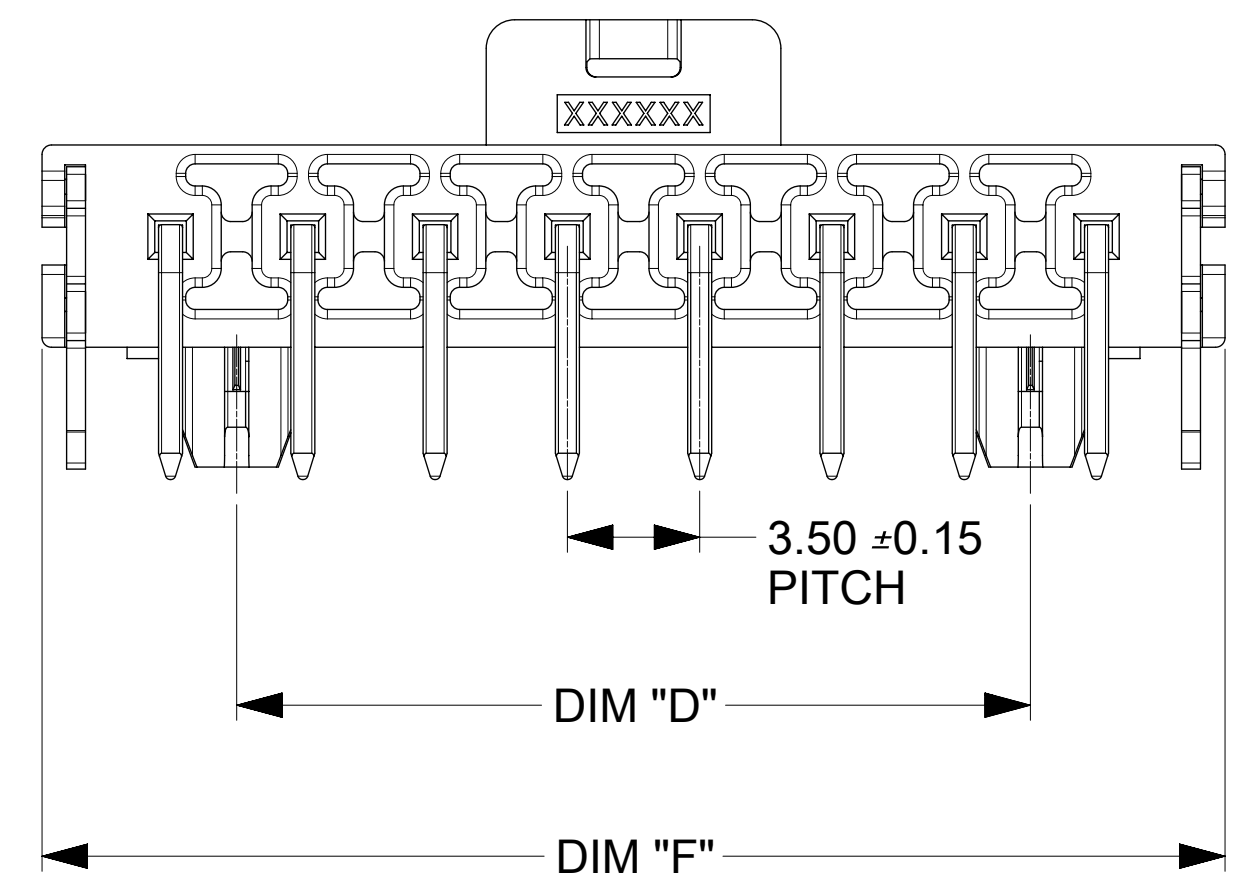


DATE CODE LOCATION
SEE NOTE 6

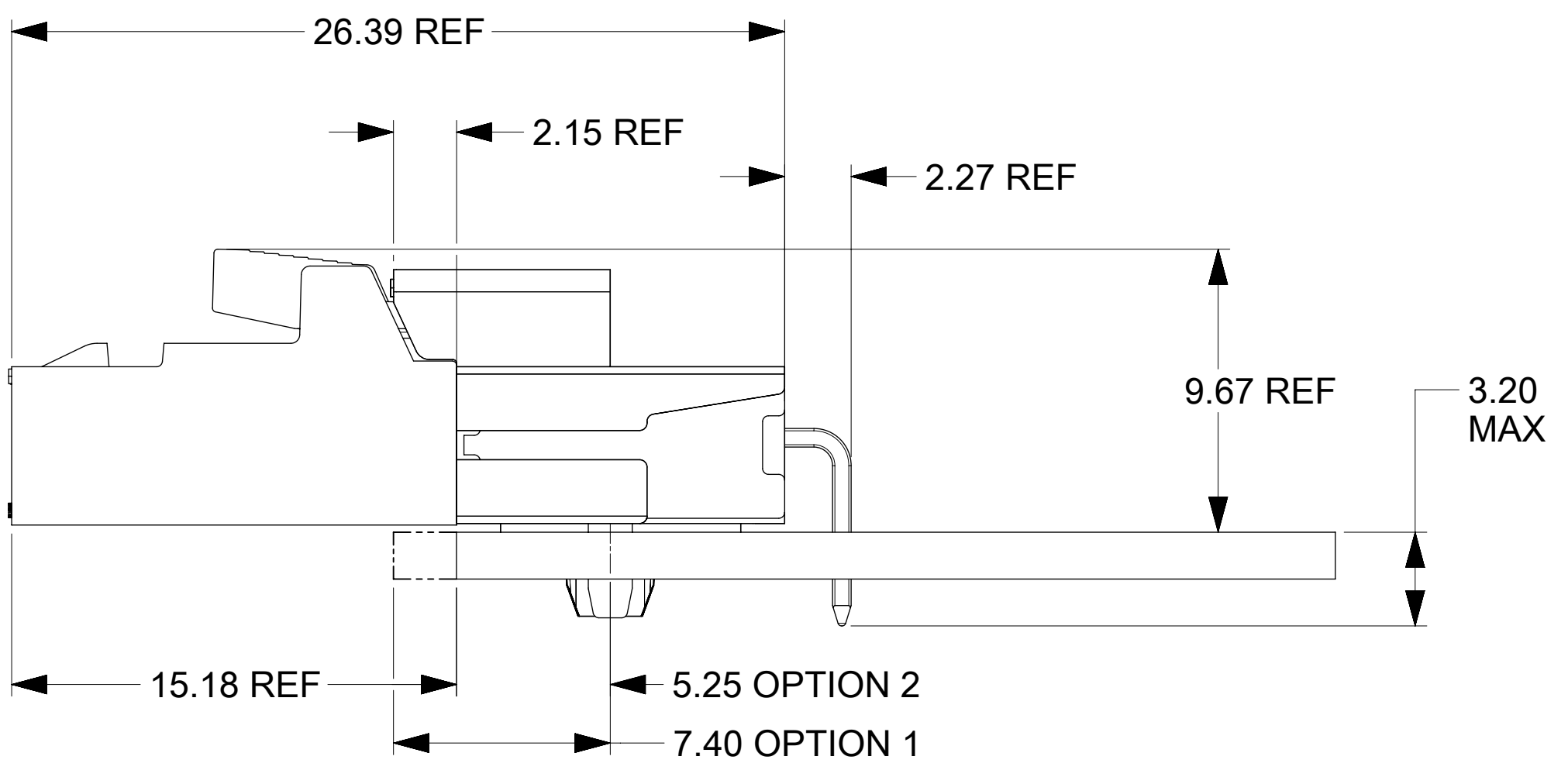


SECTION A-A
SCALE 8:1



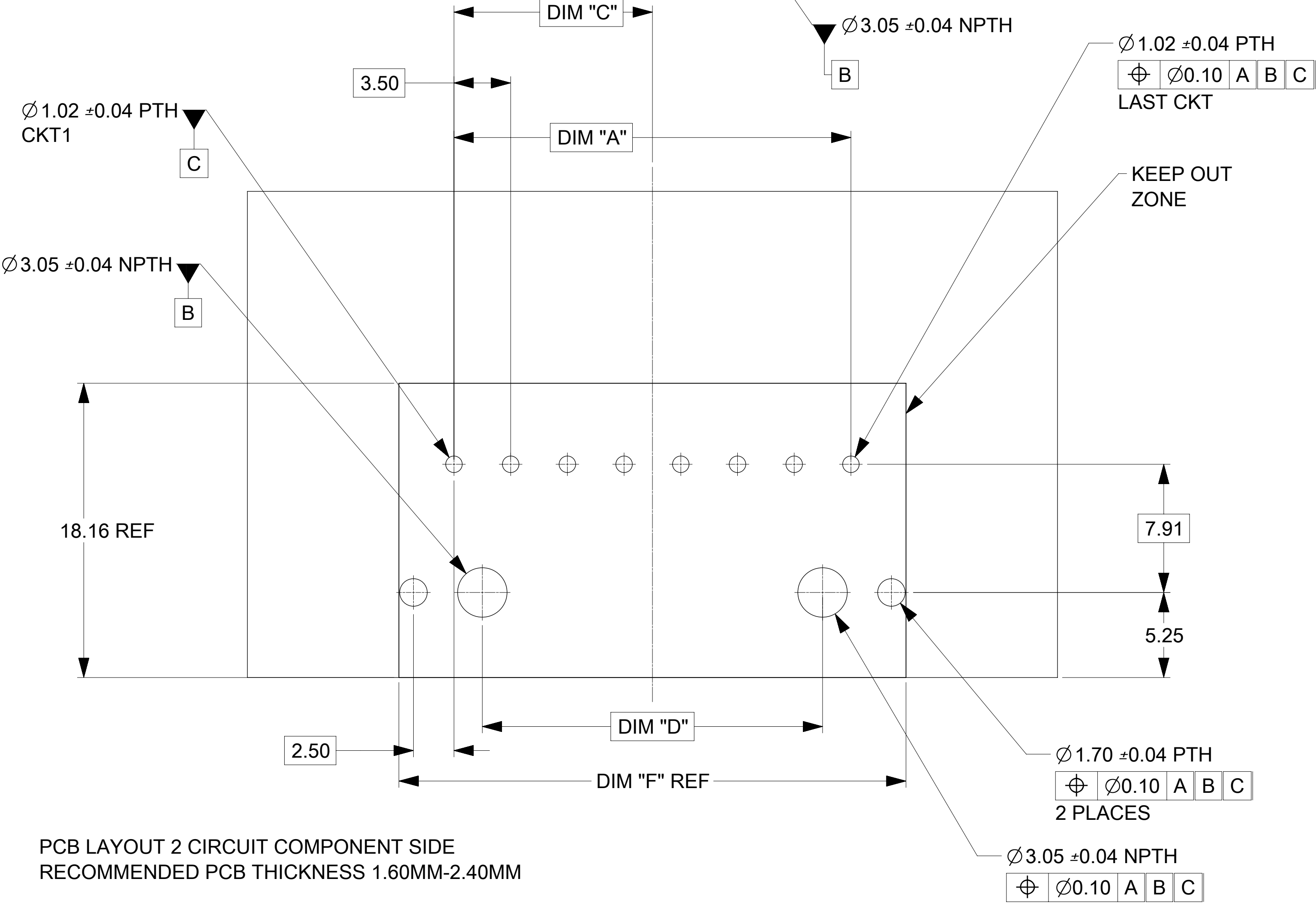
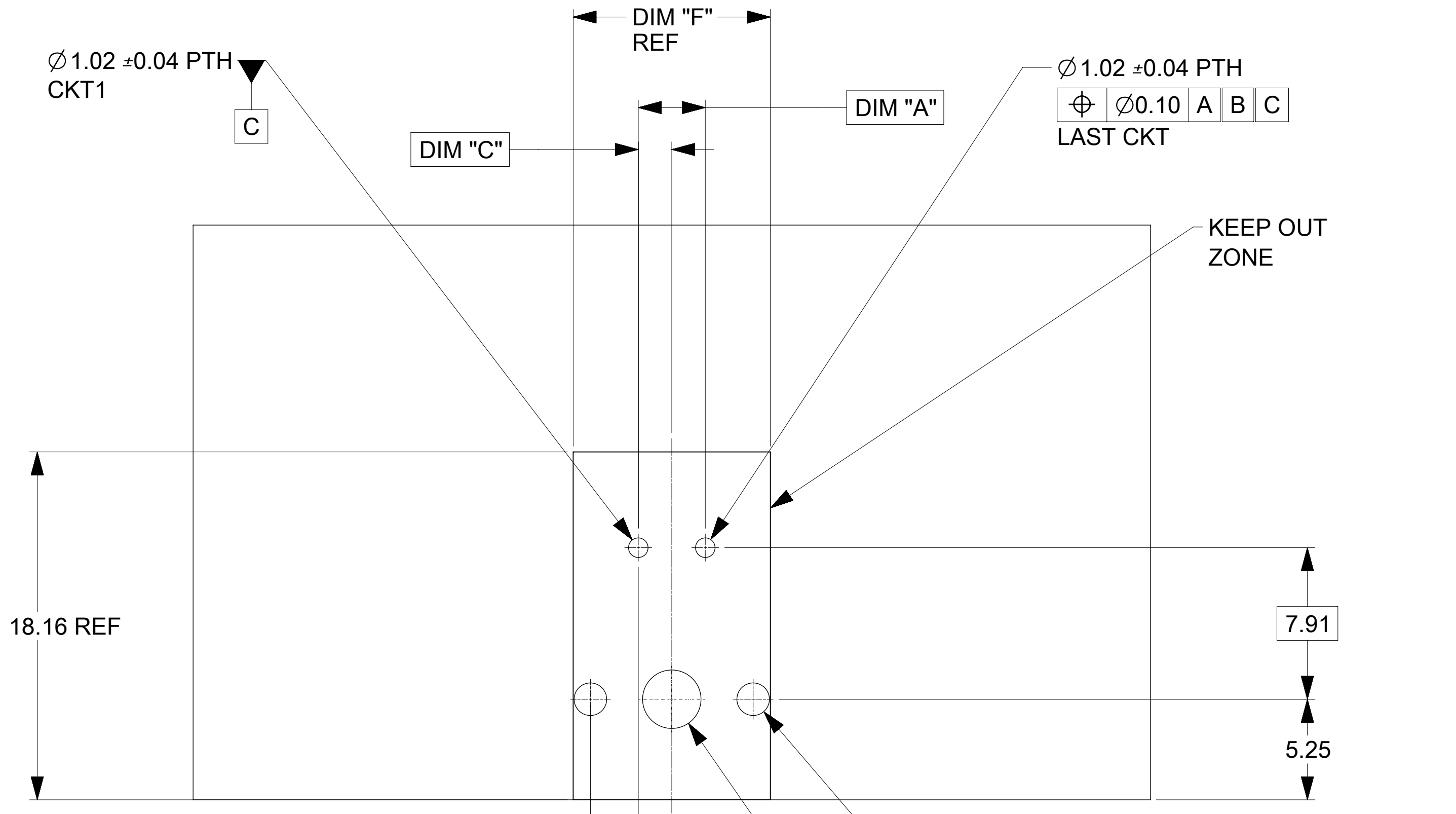
NOTES:

- MATERIAL :
HOUSING:
OPTION 1: LCP BLACK, UL94V-0
OPTION 2: LCP NATURAL, UL94V-0
TERMINAL: COPPER ALLOY
- PLATING FINISH:
OPTION 1 - 1.5µm(60µin)-2.5µm(100µin) REFLOW MATTE TIN OVER
1.25µm(50µin)-2.5µm(100µin) NICKEL OVERALL
OPTION 2 - 0.35µm(15µin) GOLD CONTACT AREA,
1.5µm(60µin)-2.5µm(100µin) MATTE TIN OVERALL
1.25µm(50µin)-2.5µm(100µin) NICKEL OVERALL
OPTION 3 - 0.70µm(30µin) GOLD CONTACT AREA,
1.5µm(60µin)-2.5µm(100µin) MATTE TIN OVERALL
1.25µm(50µin)-2.5µm(100µin) NICKEL OVERALL
- PARTS TO BE PACKAGED PER PK-172298-9001
- PRODUCT SPECIFICATION PS-172323-0001
- PART MATES WITH MOLEX RECEPTACLE HOUSING 172256 AND 172260
- PART CONFORMS TO CLASS "C" REQUIREMENTS OF MOLEX COSMETIC SPECIFICATION.
PS-45499-002 WITH 0.13 MM MAXIMUM FLASH ALLOWED IN CORE HOLES AND FRONT SURFACE.
- LASER MARK CODE IN A FORMAT DDD
- PARTS ARE NOT DESIGNED FOR CURRENT SHARING.



OPTION 1: LATCH FLUSH WITH PCB EDGE
OPTION 2: HOUSING BODY FLUSH WITH PCB EDGE

SYMBOLS	THIS DRAWING CONTAINS INFORMATION THAT IS PROPRIETARY TO MOLEX ELECTRONIC TECHNOLOGIES, LLC AND SHOULD NOT BE USED WITHOUT WRITTEN PERMISSION		CURRENT REV DESC:				
	DIMENSION UNITS	SCALE					
▽ = 0	mm	5:1	1723102000	PSD	000	B1	SHEET NUMBER 1 OF 3
▽ = 0	GENERAL TOLERANCES (UNLESS SPECIFIED)		PRODUCT CUSTOMER DRAWING				
▽ = 0	ANGULAR TOL ± 0.5°		EC NO: 173780				
▽ = 0	4 PLACES ±		DRWN: SCHEN76		2018/02/26		
▽ = 0	3 PLACES ±		CHK'D: AYIN		2018/04/02		
▽ = 0	2 PLACES ± 0.13		APPR: AYIN		2018/04/02		
▽ = 0	1 PLACE ± 0.25		INITIAL REVISION:				
▽ = 0	0 PLACES ±		DRWN: PPEREZ03		2016/02/22		
▽ = 0	DRAFT WHERE APPLICABLE MUST REMAIN WITHIN DIMENSIONS		APPR: RHODGE		2016/06/21		
▽ = 0	THIRD ANGLE PROJECTION		DRAWING		SERIES		
		D-SIZE		172310			



PCB LAYOUT 2 CIRCUIT COMPONENT SIDE
RECOMMENDED PCB THICKNESS 1.60MM-2.40MM

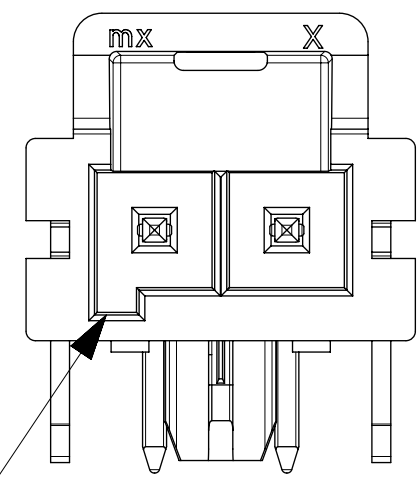
TIN PLATING							
PART NO.	COLOR	CIRCUIT SIZE	KEY OPTION	DIM A	DIM F	DIM C	DIM D
172310-3102	BLACK	2	KEY A	3.50	10.30	1.75	0.00
172310-3103	BLACK	3	KEY A	7.00	13.80	3.50	0.00
172310-3104	BLACK	4	KEY A	10.50	17.30	5.25	7.00
172310-3105	BLACK	5	KEY A	14.00	20.80	7.00	10.50
172310-3106	BLACK	6	KEY A	17.50	24.30	8.75	14.00
172310-3107	BLACK	7	KEY A	21.00	27.80	10.50	17.50
172310-3108	BLACK	8	KEY A	24.50	31.30	12.25	21.00
172310-4102	NATURAL	2	KEY B	3.50	10.30	1.75	0.00
172310-4103	NATURAL	3	KEY B	7.00	13.80	3.50	0.00
172310-4104	NATURAL	4	KEY B	10.50	17.30	5.25	7.00
172310-4105	NATURAL	5	KEY B	14.00	20.80	7.00	10.50
172310-4106	NATURAL	6	KEY B	17.50	24.30	8.75	14.00
172310-4107	NATURAL	7	KEY B	21.00	27.80	10.50	17.50
172310-4108	NATURAL	8	KEY B	24.50	31.30	12.25	21.00

15 MICROINCH GOLD PLATING							
PART NO.	COLOR	CIRCUIT SIZE	KEY OPTION	DIM A	DIM F	DIM C	DIM D
172310-3202	BLACK	2	KEY A	3.50	10.30	1.75	0.00
172310-3203	BLACK	3	KEY A	7.00	13.80	3.50	0.00
172310-3204	BLACK	4	KEY A	10.50	17.30	5.25	7.00
172310-3205	BLACK	5	KEY A	14.00	20.80	7.00	10.50
172310-3206	BLACK	6	KEY A	17.50	24.30	8.75	14.00
172310-3207	BLACK	7	KEY A	21.00	27.80	10.50	17.50
172310-3208	BLACK	8	KEY A	24.50	31.30	12.25	21.00
172310-4202	NATURAL	2	KEY B	3.50	10.30	1.75	0.00
172310-4203	NATURAL	3	KEY B	7.00	13.80	3.50	0.00
172310-4204	NATURAL	4	KEY B	10.50	17.30	5.25	7.00
172310-4205	NATURAL	5	KEY B	14.00	20.80	7.00	10.50
172310-4206	NATURAL	6	KEY B	17.50	24.30	8.75	14.00
172310-4207	NATURAL	7	KEY B	21.00	27.80	10.50	17.50
172310-4208	NATURAL	8	KEY B	24.50	31.30	12.25	21.00

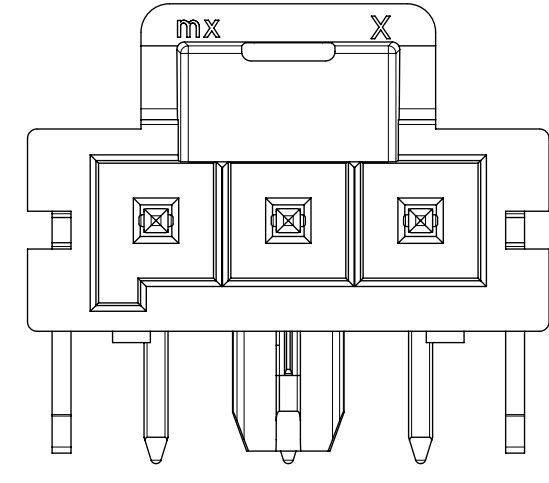
30 MICROINCH PLATING							
PART NO.	COLOR	CIRCUIT SIZE	KEY OPTION	DIM A	DIM F	DIM C	DIM D
172310-3302	BLACK	2	KEY A	3.50	10.30	1.75	0.00
172310-3303	BLACK	3	KEY A	7.00	13.80	3.50	0.00
172310-3304	BLACK	4	KEY A	10.50	17.30	5.25	7.00
172310-3305	BLACK	5	KEY A	14.00	20.80	7.00	10.50
172310-3306	BLACK	6	KEY A	17.50	24.30	8.75	14.00
172310-3307	BLACK	7	KEY A	21.00	27.80	10.50	17.50
172310-3308	BLACK	8	KEY A	24.50	31.30	12.25	21.00
172310-4302	NATURAL	2	KEY B	3.50	10.30	1.75	0.00
172310-4303	NATURAL	3	KEY B	7.00	13.80	3.50	0.00
172310-4304	NATURAL	4	KEY B	10.50	17.30	5.25	7.00
172310-4305	NATURAL	5	KEY B	14.00	20.80	7.00	10.50
172310-4306	NATURAL	6	KEY B	17.50	24.30	8.75	14.00
172310-4307	NATURAL	7	KEY B	21.00	27.80	10.50	17.50
172310-4308	NATURAL	8	KEY B	24.50	31.30	12.25	21.00

SYMBOLS	THIS DRAWING CONTAINS INFORMATION THAT IS PROPRIETARY TO MOLEX ELECTRONIC TECHNOLOGIES, LLC AND SHOULD NOT BE USED WITHOUT WRITTEN PERMISSION		CURRENT REV DESC:					
	DIMENSION UNITS	SCALE						EC NO: 173780 DRWN: SCHEN76 2018/02/26 CHK'D: AYIN 2018/04/02 APPR: AYIN 2018/04/02
▽ = 0	mm	5:1	GENERAL TOLERANCES (UNLESS SPECIFIED) ANGULAR TOL ± 0.5°		PRODUCT CUSTOMER DRAWING			
▽ = 0	4 PLACES ± 3 PLACES ± 2 PLACES ± 0.13 1 PLACE ± 0.25 0 PLACES ±							
▽ = 0	DRIFT WHERE APPLICABLE MUST REMAIN WITHIN DIMENSIONS		THIRD ANGLE PROJECTION		DRAWING SERIES D-SIZE 172310		DOCUMENT NUMBER 1723102000	
□ = 0	MATERIAL NUMBER CUSTOMER		SHEET NUMBER 2 OF 3		DOC TYPE DOC PART REVISION PSD 000 B1			

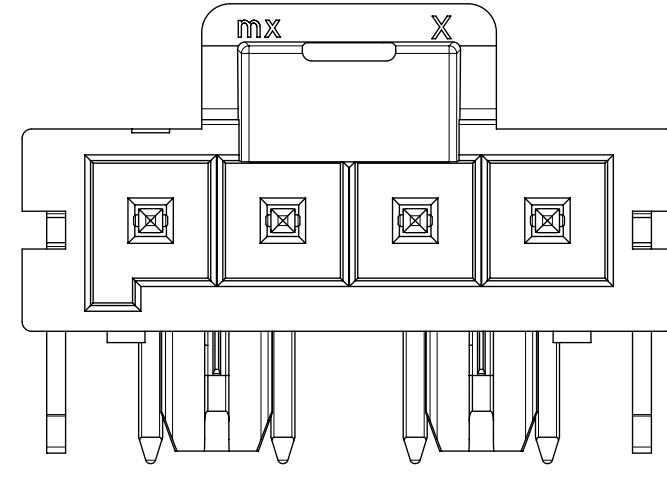
KEY A (BLACK)



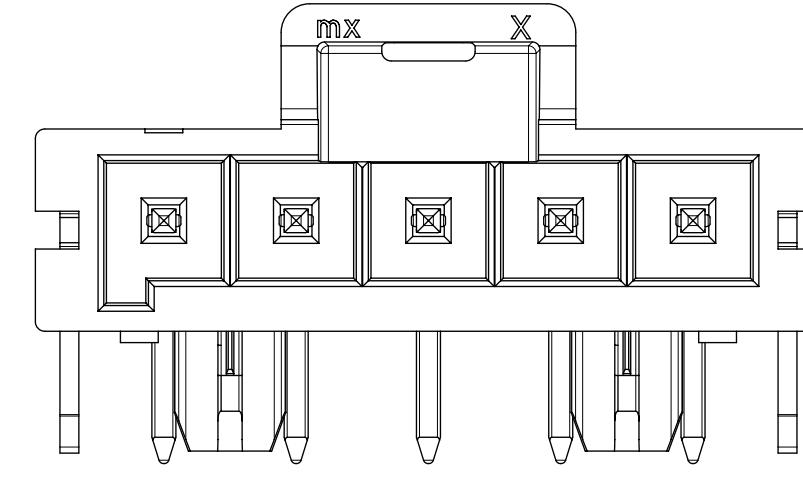
2CKT



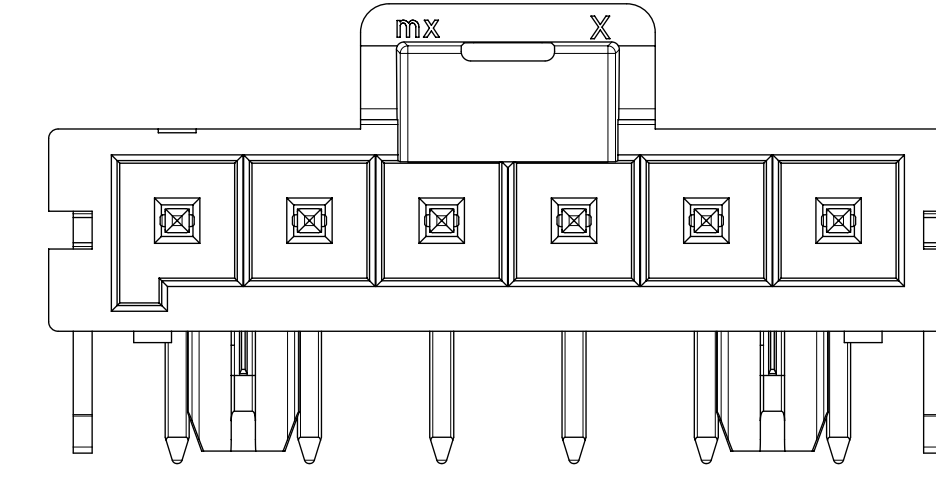
3CKT



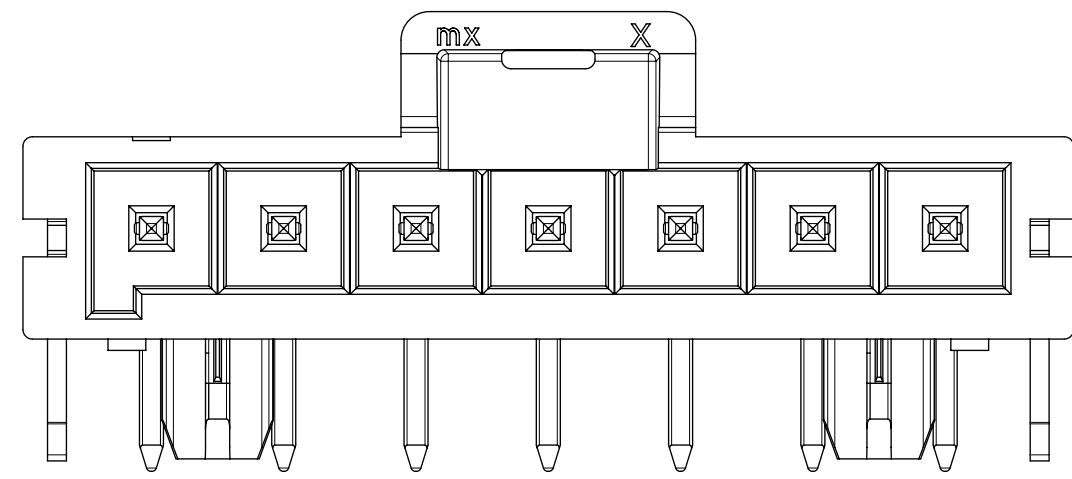
4CKT



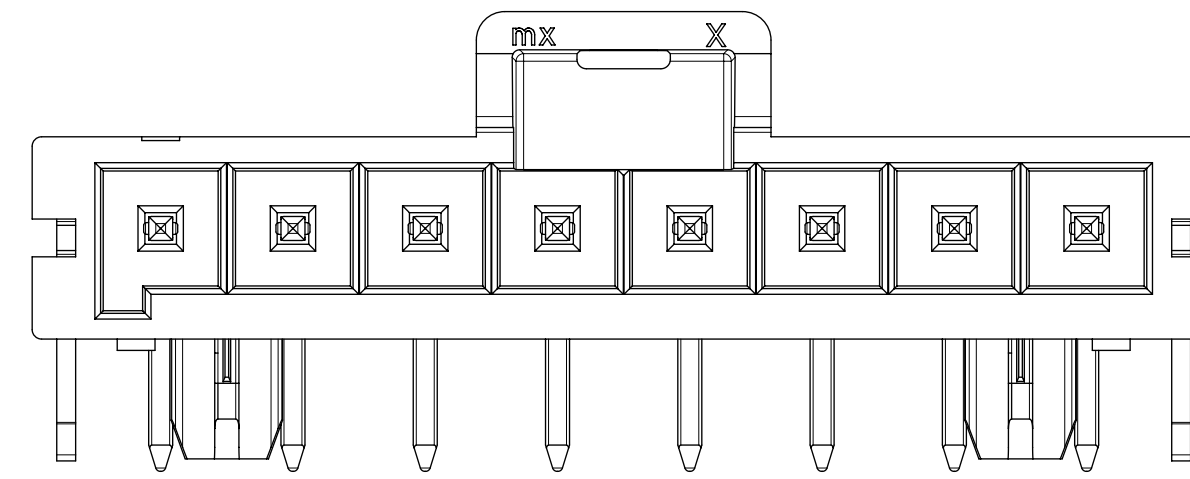
5CKT



6CKT

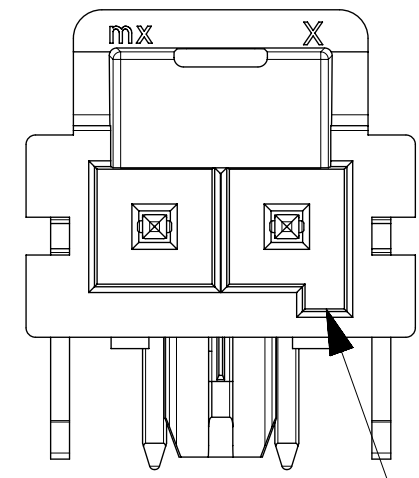


7CKT

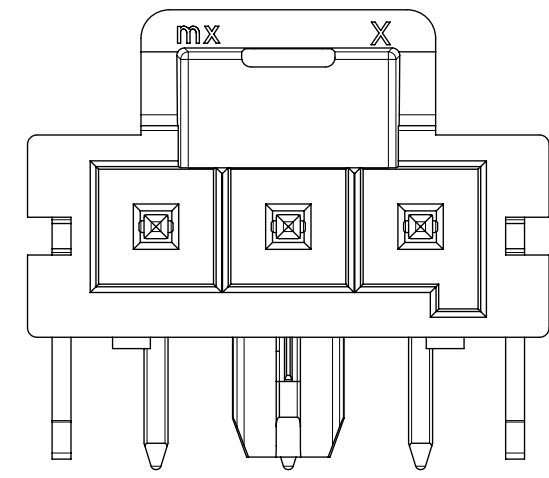


8CKT

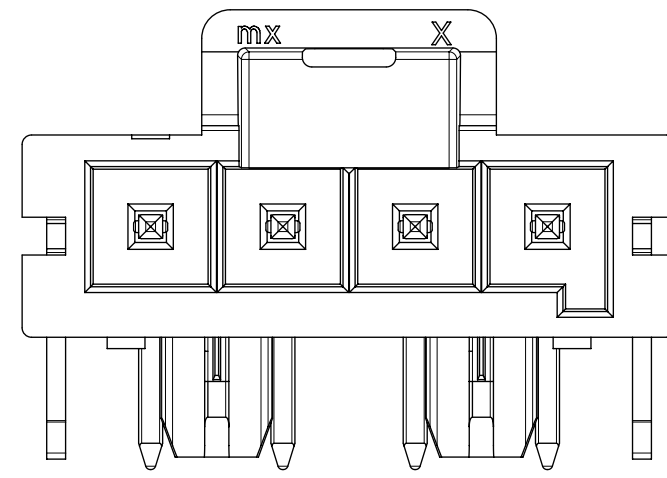
BLACK



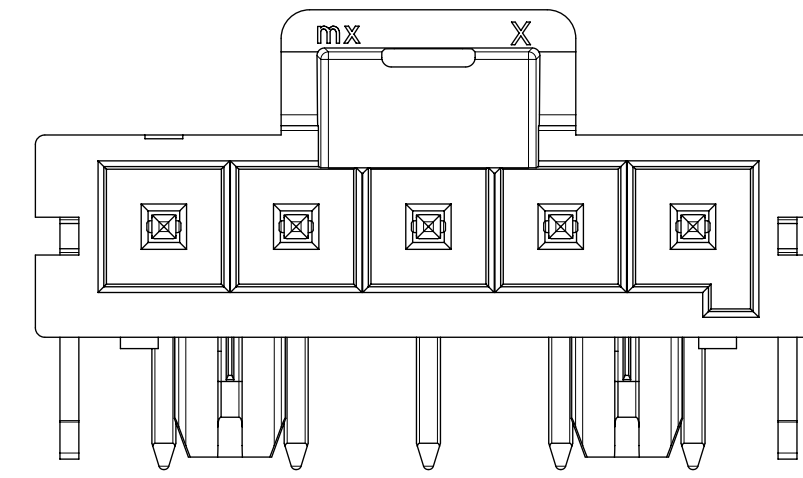
2 CKT



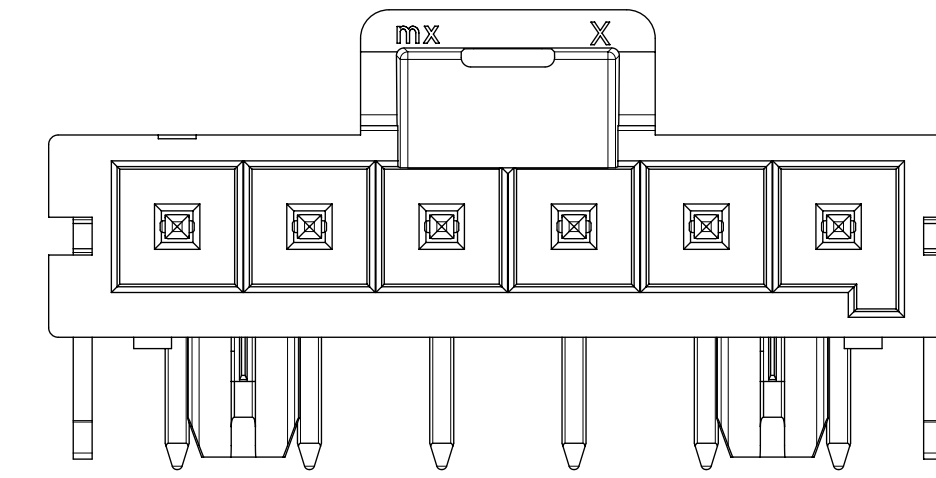
3 CKT



4 CKT

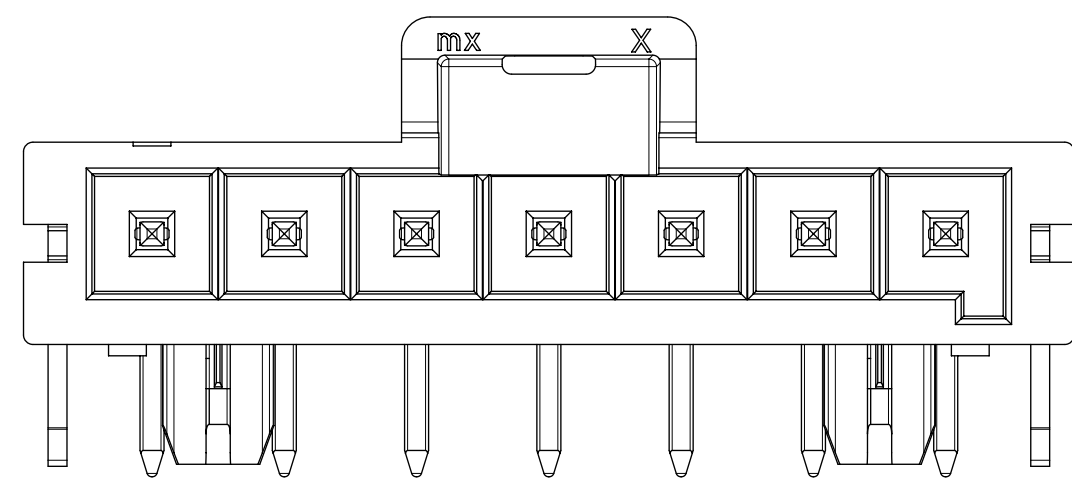


5 CKT

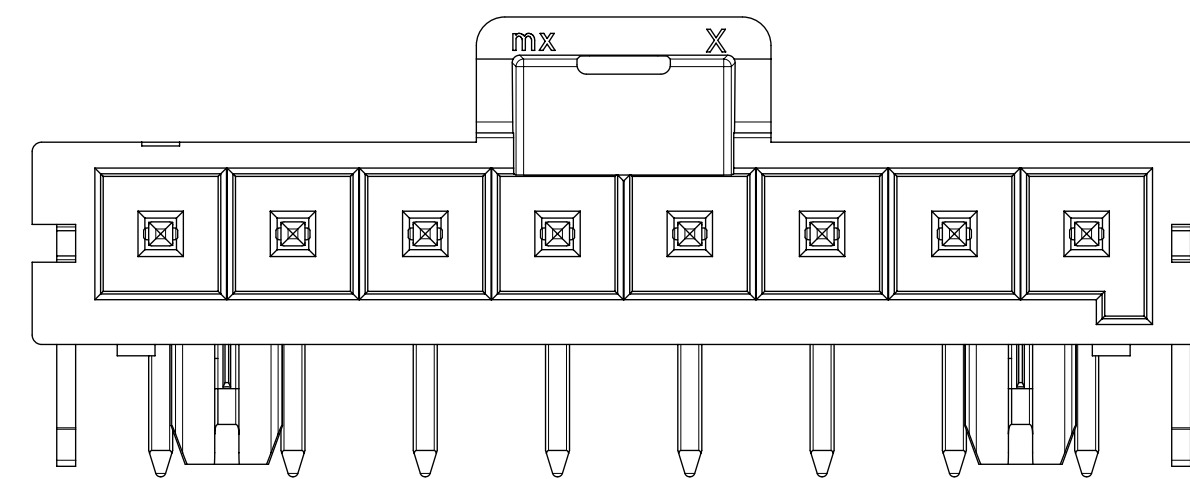


6 CKT

KEY B (NATURAL)



7 CKT



8 CKT

NATURAL

COLOR-POLARIZATION

SYMBOLS	THIS DRAWING CONTAINS INFORMATION THAT IS PROPRIETARY TO MOLEX ELECTRONIC TECHNOLOGIES, LLC AND SHOULD NOT BE USED WITHOUT WRITTEN PERMISSION		CURRENT REV DESC:					
	DIMENSION UNITS	SCALE						EC NO: 173780
▽ = 0	mm	5:1	GENERAL TOLERANCES (UNLESS SPECIFIED)		DRWN: SCHEN76	2018/04/02	ULTRA-FIT SR R/A HEAD SN ASSY	
▽ = 0	ANGULAR TOL ± 0.5°		4 PLACES ±		CHK'D: AYIN	2018/04/02	PRODUCT CUSTOMER DRAWING	
▽ = 0	3 PLACES ±		2 PLACES ± 0.13		APPR: AYIN	2018/04/02	DOCUMENT NUMBER	
▽ = 0	1 PLACE ± 0.25		0 PLACES ±		INITIAL REVISION:		1723102000	
⊠ = 0	DRAFT WHERE APPLICABLE MUST REMAIN WITHIN DIMENSIONS		THIRD ANGLE PROJECTION		DRWN: PPEREZ03	2016/02/22	PSD 000 B1	
⊠ = 0	D-DRAWING		SERIES		APPR: RHODGE	2016/06/21	MATERIAL NUMBER	
⊠ = 0	D-SIZE		172310		CUSTOMER		SHEET NUMBER	
							3 OF 3	