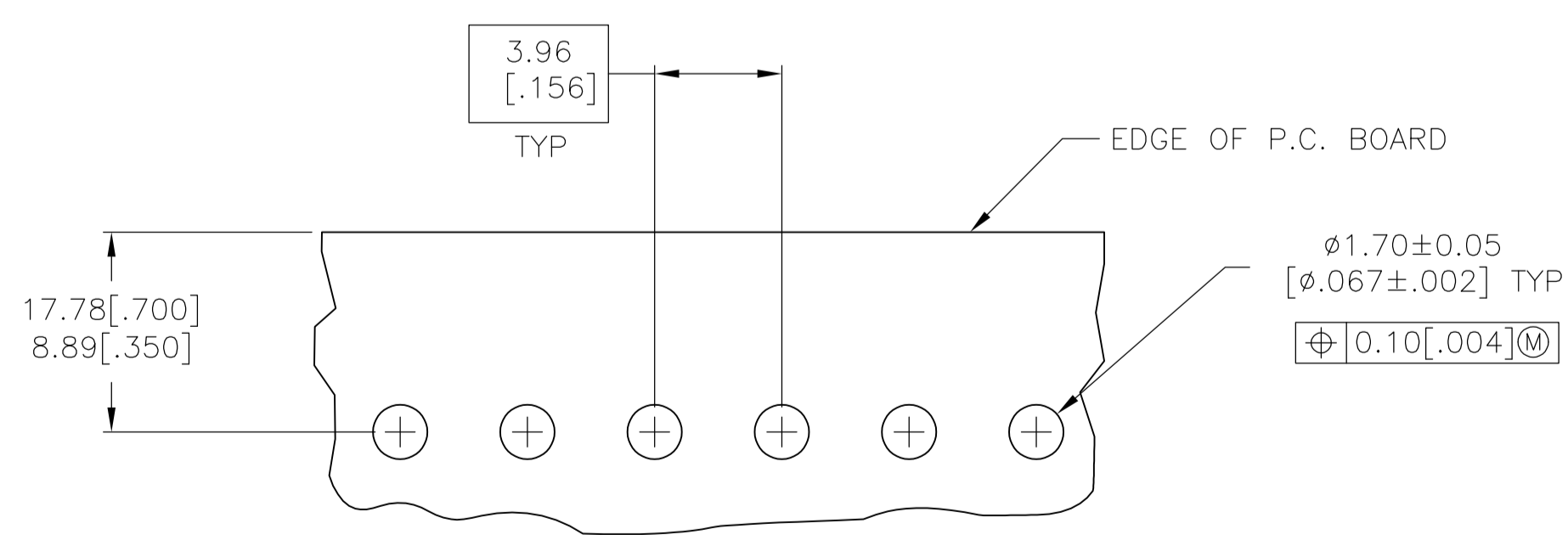
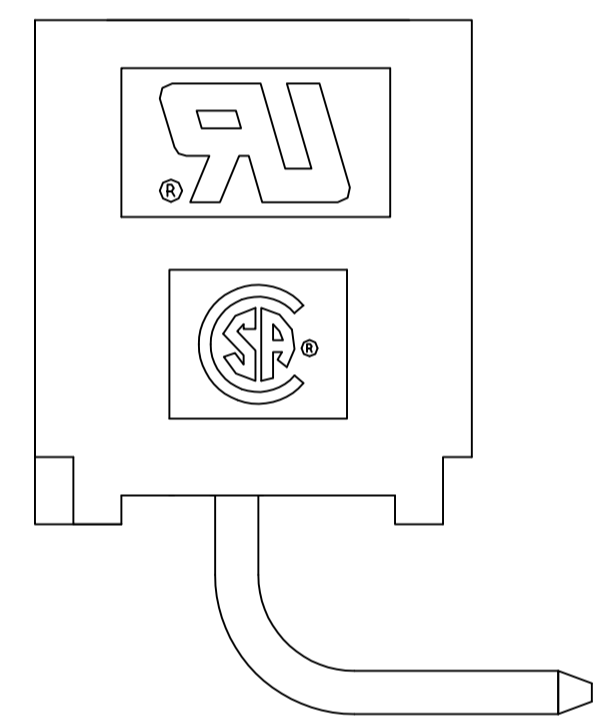
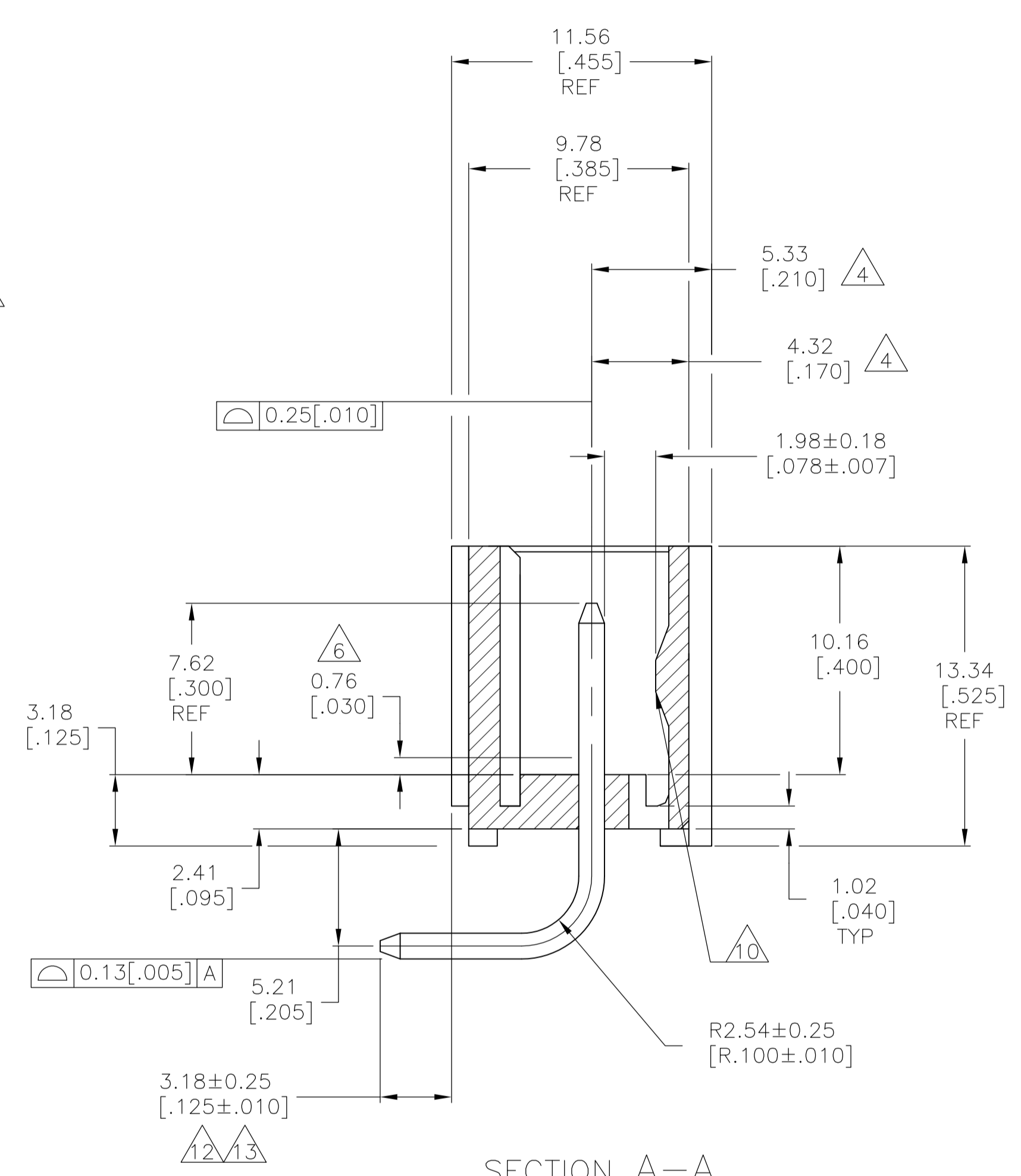
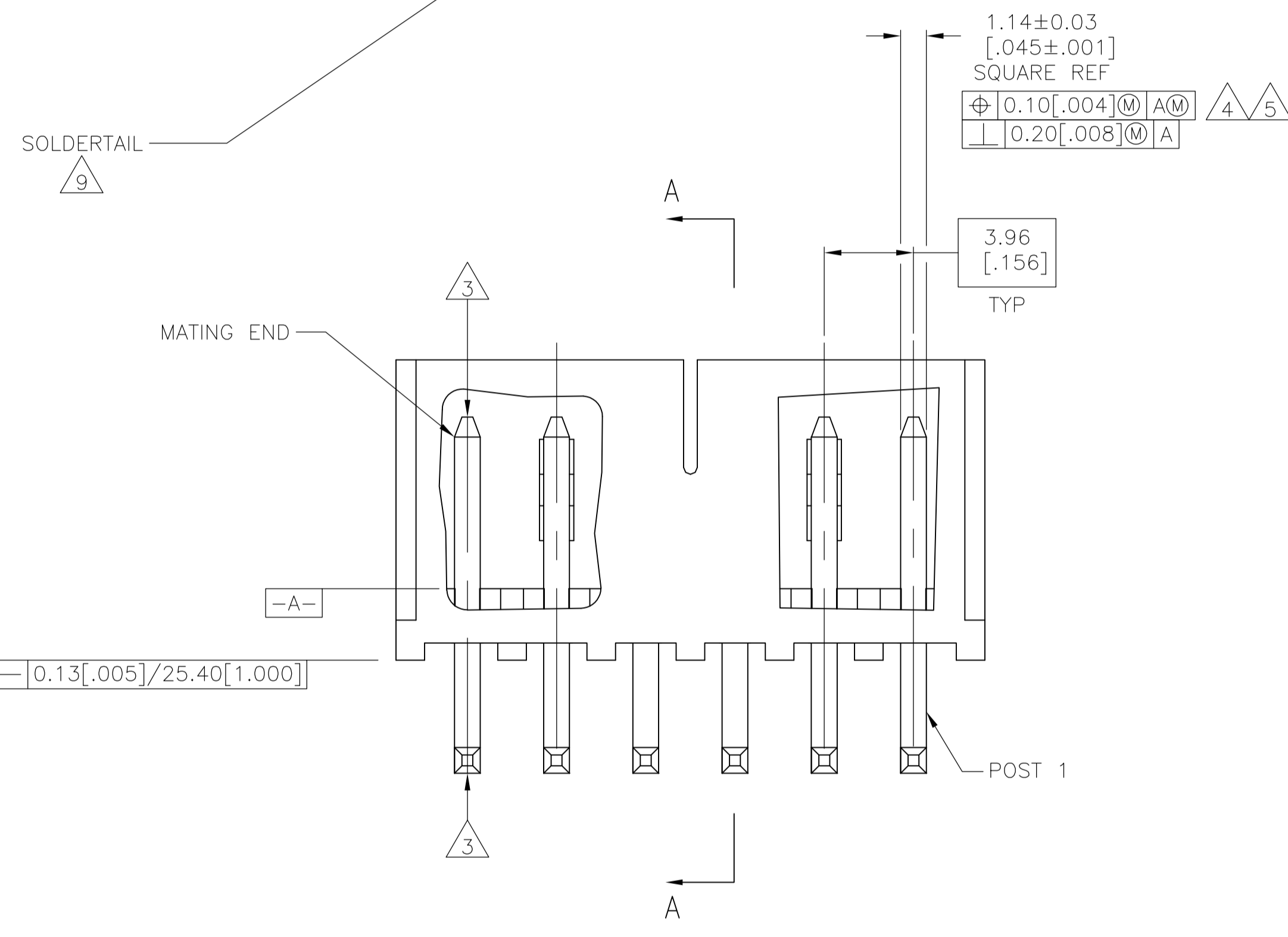
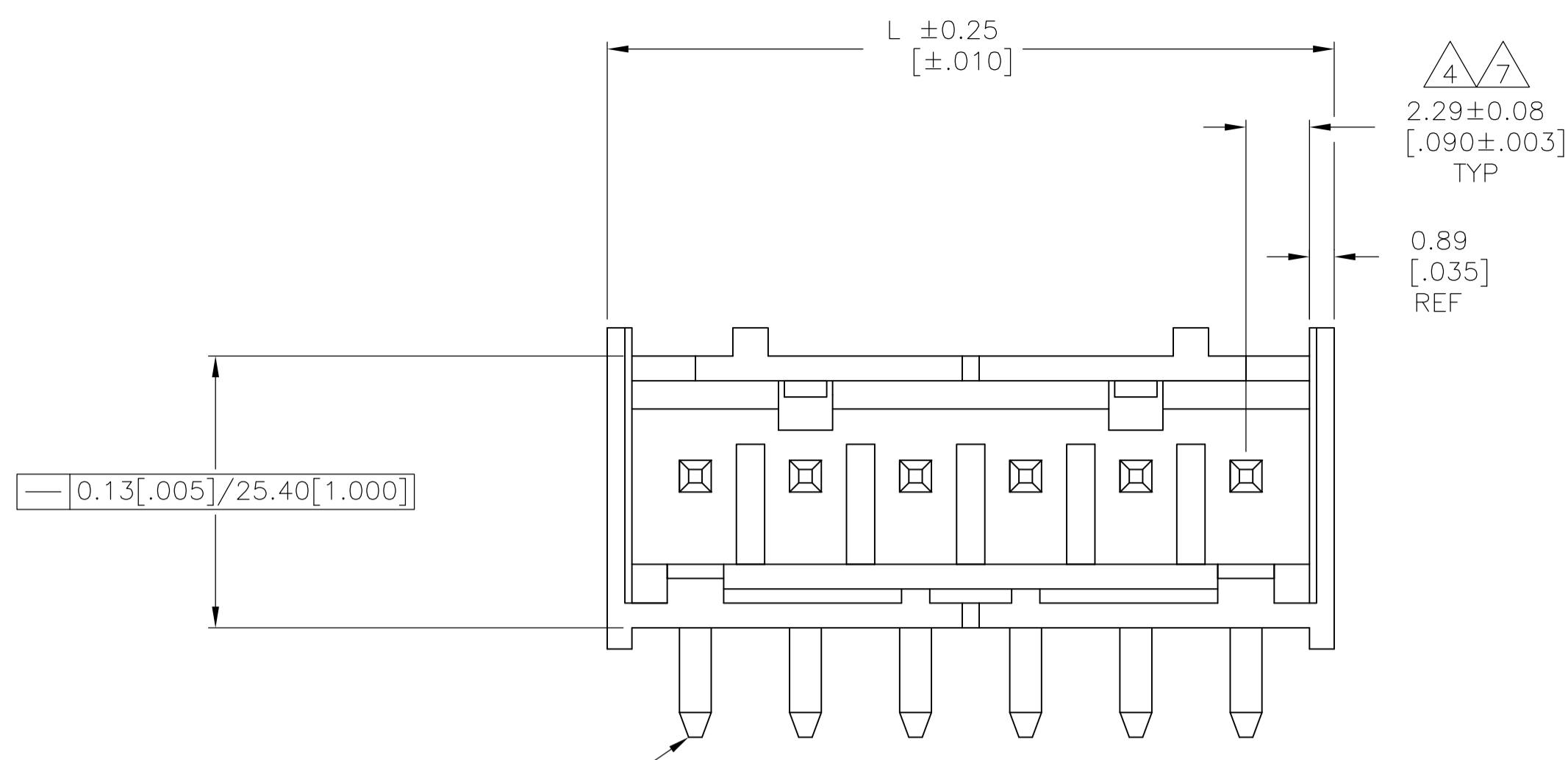


LOC		DIST		REVISIONS			
CM	0	P	LTR	DESCRIPTION	DATE	DWN	APVD
E1	REVISED	PER	ECR-15-007038		28SEP2015	NK	PQ



- 1 MATERIAL:  
HOUSING - THERMOPLASTIC POLYESTER, GLASS FILLED, UL94-0.  
POST - COPPER ALLOY
- 2 FINISH:  
HOUSING - BLACK  
POST - SEE NOTES 12 AND 13.
- 3 POST TO WITHSTAND 3LBS. (16N) MIN AXIAL FORCE IN THIS DIRECTION WITHOUT DISLODGING.
- 4 APPLIES AT -A-.
- 5 APPLIES WHEN HEADER IS STRAIGHT.
- 6 PLASTIC PROJECTIONS PERMITTED IN THIS ZONE.
- 7 COORDINATE DIMENSIONS APPLIES FROM CENTER OF ACTUAL FEATURE.
- 8 SOLDER SIDE OF BOARD IS SHOWN.
- 9 POST SOLDER TAIL MUST COMPLY WITH AMP SOLDERABILITY SPEC 109-11-2.
- 10 LATCH DETENT FEATURE APPEARS 1 PLACE ON EACH END OF PART (MAX OF 2 PER PART) ON ALL POSITIONS 4 THRU 12. THE LATCH APPEARS ONLY ONE PLACE ON 2 & 3 POSITION PARTS.
- 11. DIMENSIONS IN BRACKETS ARE IN INCHES.
- 12 MATTE TIN PLATE 0.00381 - 0.00889 [ $0.000150 - 0.000350$ ] THICK, OVER NICKEL UNDERPLATE 0.00127 [ $0.000050$ ] MIN THICK.
- 13 MATTE TIN PLATE 0.00381 - 0.00889 [ $0.000150 - 0.000350$ ] THICK, OVER NICKEL UNDERPLATE 0.00127 [ $0.000050$ ] MIN THICK.
- 14 OBSOLETE PARTS: OBSOLETE CIS STREAMLINING PER D.RENAUD/D.SINISI

PLATING	MM	IN	NO. OF POSN	PART NUMBER	
SUPERSEDED	49.94	1.966	12	3-647125-2	
	45.97	1.810	11	3-647125-1	
	42.01	1.654	10	3-647125-0	
	38.05	1.498	9	2-647125-9	
	34.09	1.342	8	2-647125-8	
	30.12	1.186	7	2-647125-7	
	26.16	1.030	6	2-647125-6	
	22.20	.874	5	2-647125-5	
	18.24	.718	4	2-647125-4	
	14.27	.562	3	2-647125-3	
	10.31	.406	2	2-647125-2	
	OBSOLETE	49.94	1.966	12	1-647125-2
		45.97	1.810	11	1-647125-1
42.01		1.654	10	1-647125-0	
38.05		1.498	9	647125-9	
34.09		1.342	8	647125-8	
SUPERSEDED	30.12	1.186	7	647125-7	
	26.16	1.030	6	647125-6	
	22.20	.874	5	647125-5	
OBSOLETE	18.24	.718	4	647125-4	
	14.27	.562	3	647125-3	
OBSOLETE	10.31	.406	2	647125-2	

647125-6 SHOWN

DIMENSIONS:		TOLERANCES UNLESS OTHERWISE SPECIFIED:		DIN		REV		NAME	
mm	[INCHES]	0 PLC	±	17JUN98	B	LEWIS	17JUN98	TE Connectivity	TE Connectivity
1	PLC	±	-	17JUN98	R	SWING	17JUN98	MTA-156 SHROUDED HEADER ASSEMBLY, RIGHT ANGLE FRONT BEND .045 SQUARE POST, TIN, W/O RETENTION PEG	
2	PLC	±	-		D	CLARK	17JUN98		
3	PLC	±	.005						
4	PLC	±	.005						
MATERIAL		FINISH		WEIGHT		SIZE		CAGE CODE	
						A1		00779	
						CUSTOMER DRAWING		SCALE 5:1 SHEET 1 OF 1 REV E1	