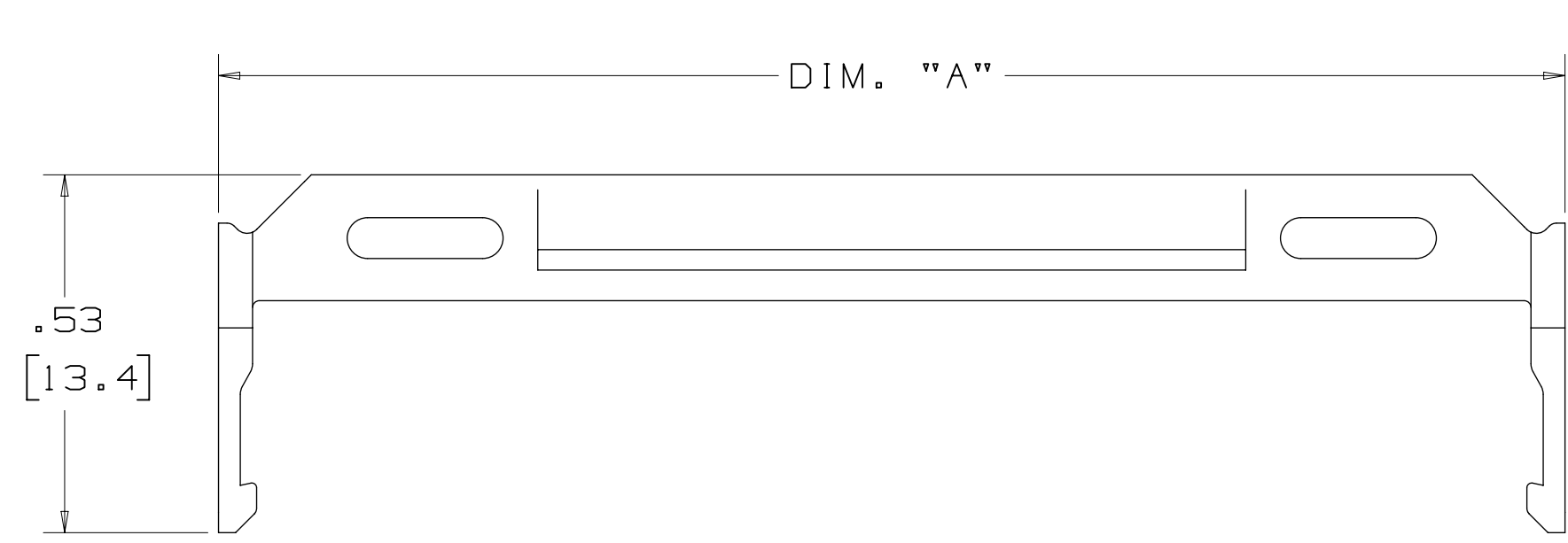
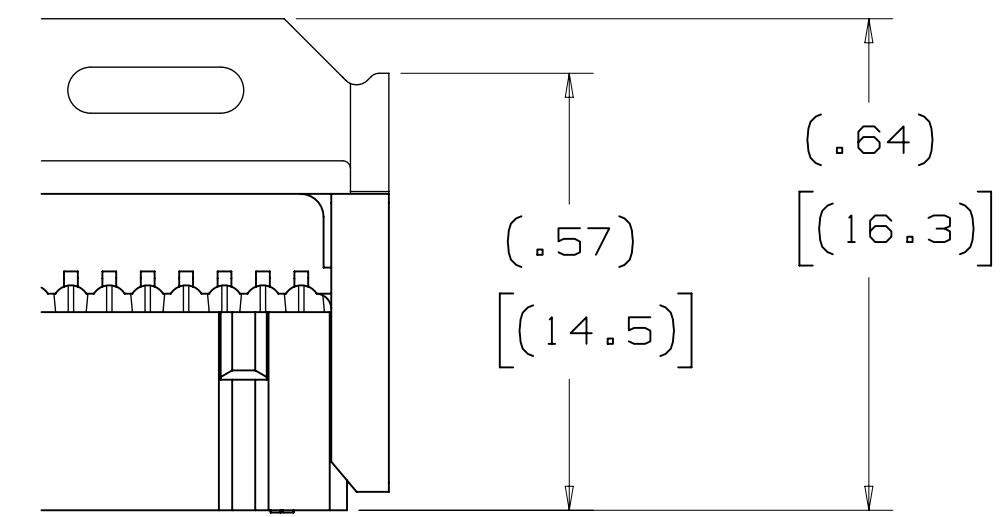
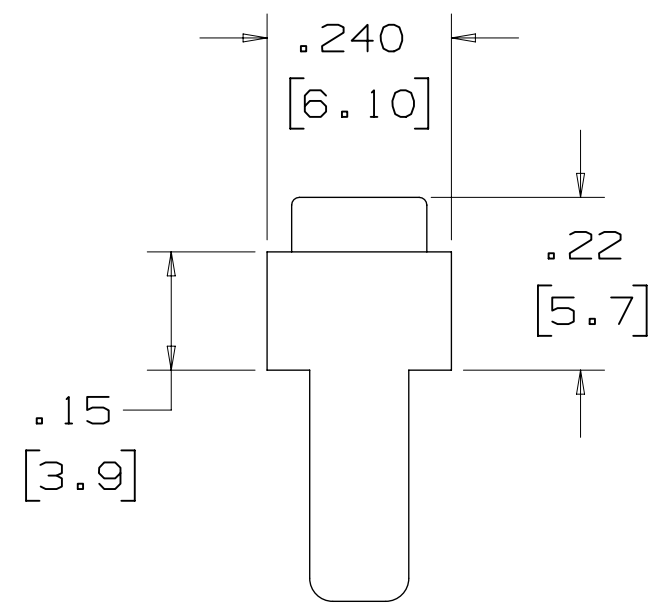


3M™ IDC RIBBON CABLE SOCKET, D891 SERIES
 .100" X .100" FOR .050" PITCH CABLE

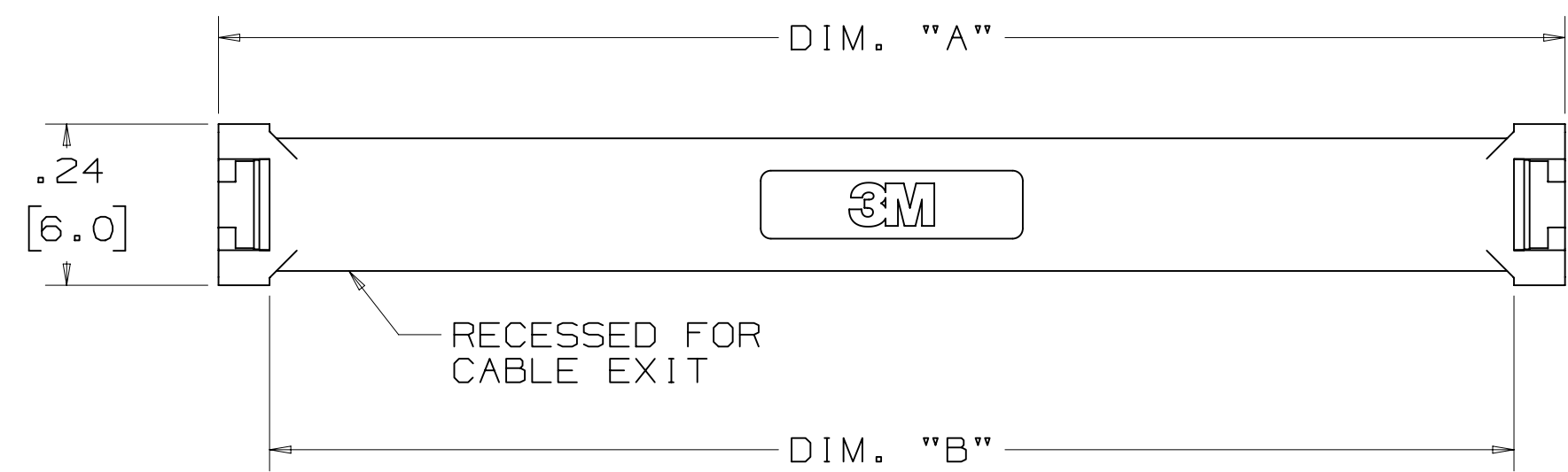
TABLE 1		
CONTACT QTY.	DIM. "A"	DIM. "B"
08	0.58 [14.7]	0.42 [10.7]
10	0.68 [17.3]	0.52 [13.2]
14	0.88 [22.4]	0.72 [18.3]
16	0.98 [24.9]	0.82 [20.8]
20	1.18 [30.0]	1.02 [25.9]
24	1.38 [35.1]	1.22 [31.0]
26	1.48 [37.6]	1.32 [33.5]
30	1.68 [42.7]	1.52 [38.6]
34	1.88 [47.8]	1.72 [43.7]
36	1.98 [50.3]	1.82 [46.2]
40	2.18 [55.4]	2.02 [51.3]
44	2.38 [60.5]	2.22 [56.4]
50	2.68 [68.1]	2.52 [64.0]
60	3.18 [80.8]	3.02 [76.7]



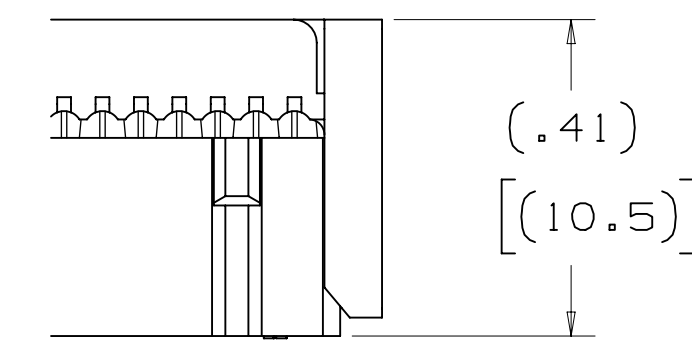
STRAIN RELIEF



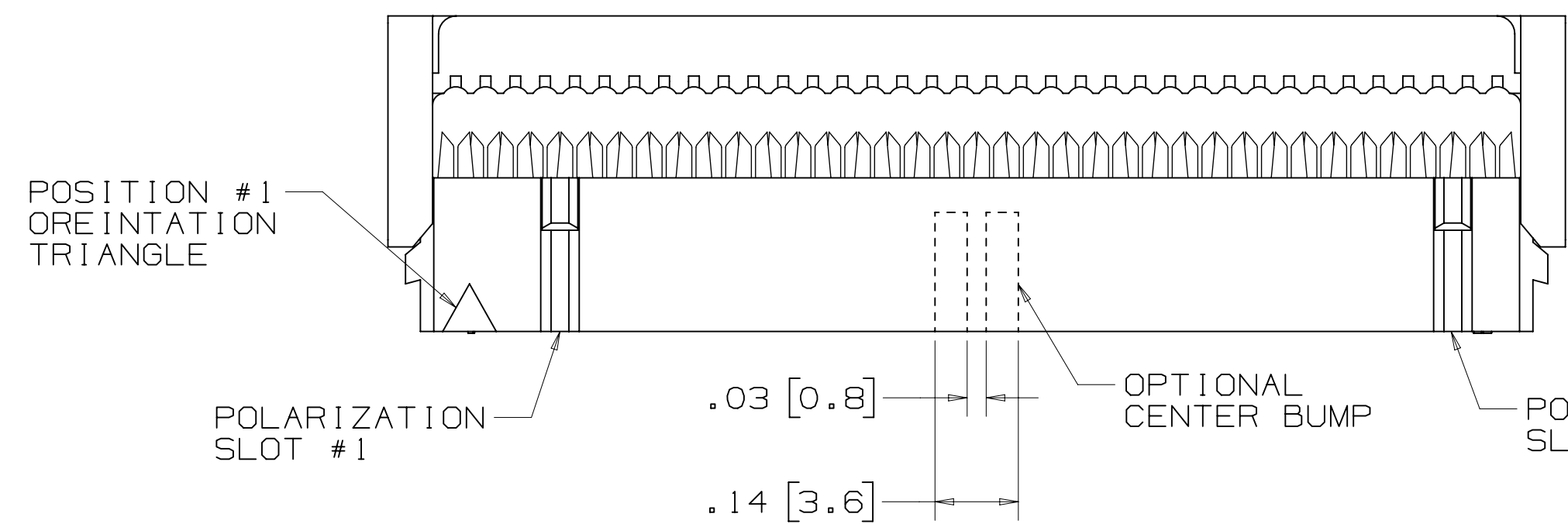
ASSEMBLED HEIGHT WITH STANDARD PLASTIC STRAIN RELIEF



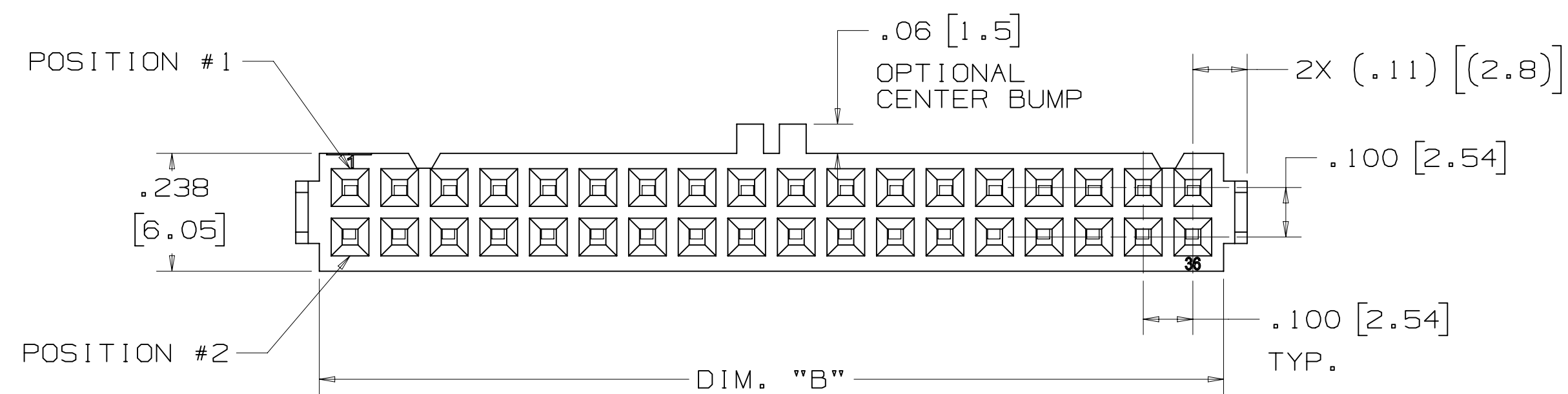
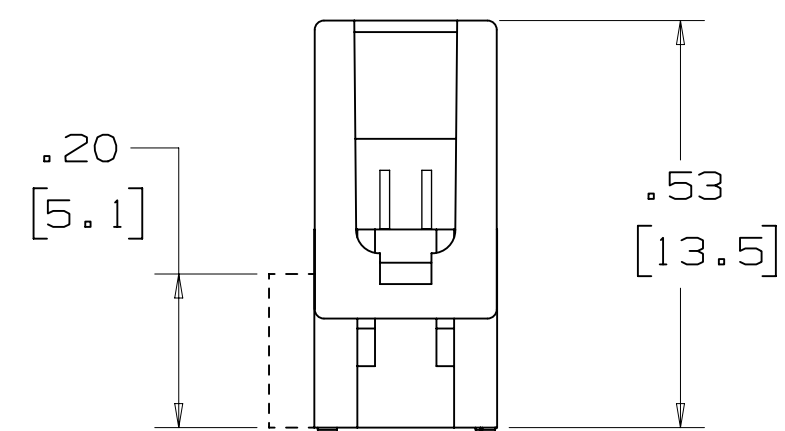
TOP VIEW OF COVER



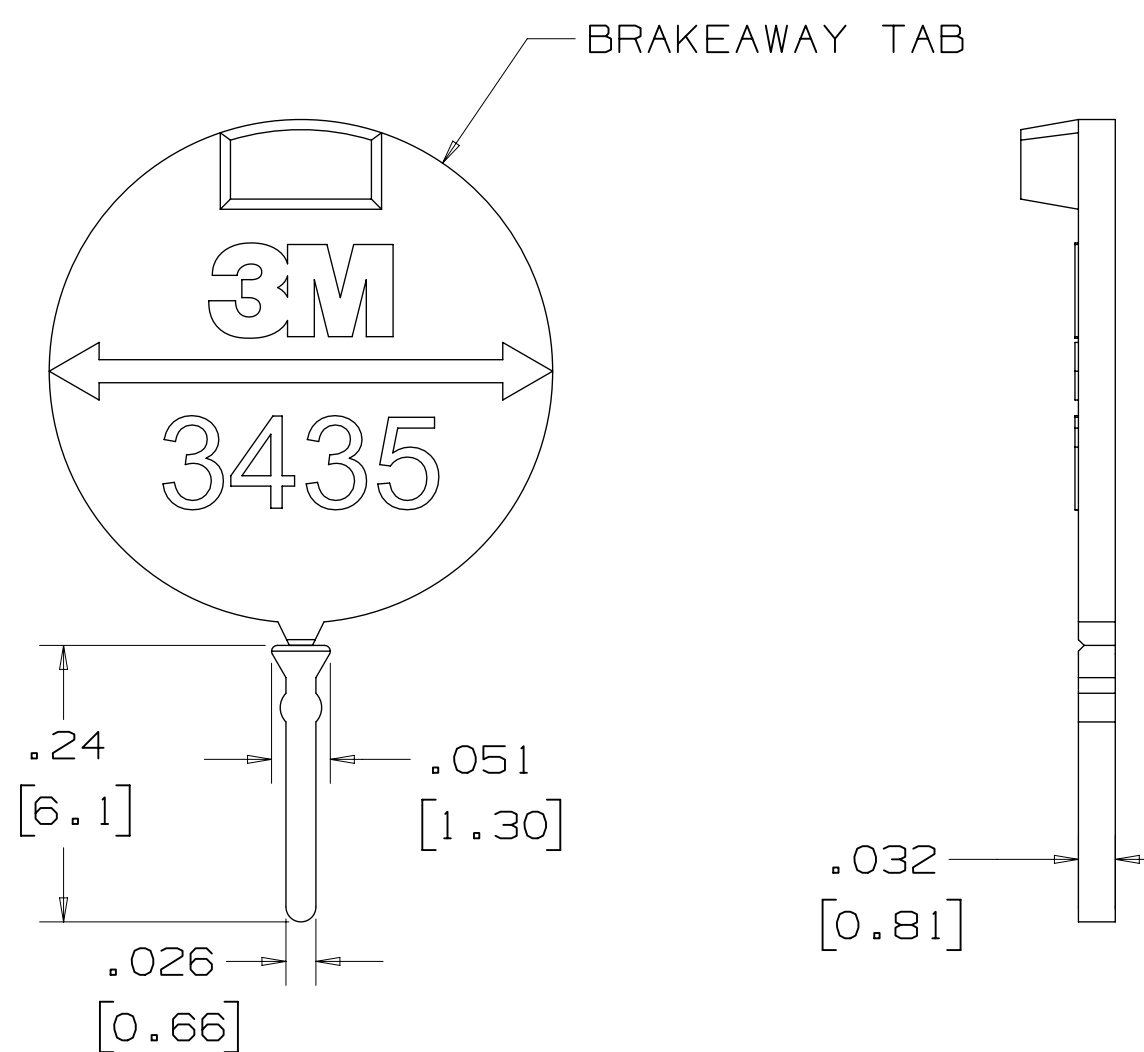
ASSEMBLED HEIGHT WITHOUT STRAIN RELIEF



PREASSEMBLED VIEW



BOTTOM VIEW OF BODY



POLARIZING KEY
 3435-0000
 OPTIONAL: ORDER SEPARATELY
 MATERIAL: GRAY POLYESTER, PBT

DESIGN REFERENCE	NEXT ASSEMBLY	REV	ECO	ISSUE DATE AND DESCRIPTION	DRFT	CHKD
				APR 27, 2021		
DIVISION		EMSD		DATE		
DO NOT SCALE DRAWING		SCALE 4/1		TOLERANCES EXCEPT AS NOTED		
THIRD ANGLE PROJECTION		INCHES .00 ± .01		MILLIMETERS 0 ± .005		
INTERPRET PER ASME Y14.5 - 2018		MAX SURFACE ROUGHNESS		CAGE NUMBER		
MARKED ONLY		SURFACES		D 78-5100-2243-3		
		ANGLES		REV. H		

H 96926 APR 27, 2021 JNC FJR
 REVISED AND REDRAWN
 CASTIGLIONE APR 27, 2021
 F. RODRIGUEZ APR 27, 2021
 © 3M COPYRIGHT 2021
 3M Center St. Paul, MN 55144
 This document and the information it contains are 3M property and may not be reproduced or further distributed without 3M permission, or used or disclosed other than for 3M authorized purposes. All rights reserved.
 TITLE IDC RIBBON CABLE SKT, .100 X .100, CABLE PITCH .050, D891
 MODEL D891
 SHEET 2 OF 3

78-5100-2243-3
 DRAWING NUMBER
 H REVISION
 C
 B
 A
 Time 5/18/2021 -- UTC Off-set (hrs) 6

3M™ IDC RIBBON CABLE SOCKET, D891 SERIES
 .100" X .100" FOR .050" PITCH CABLE

Regulatory: For regulatory information about this product, visit 3M.com/regs or contact your 3M representative.

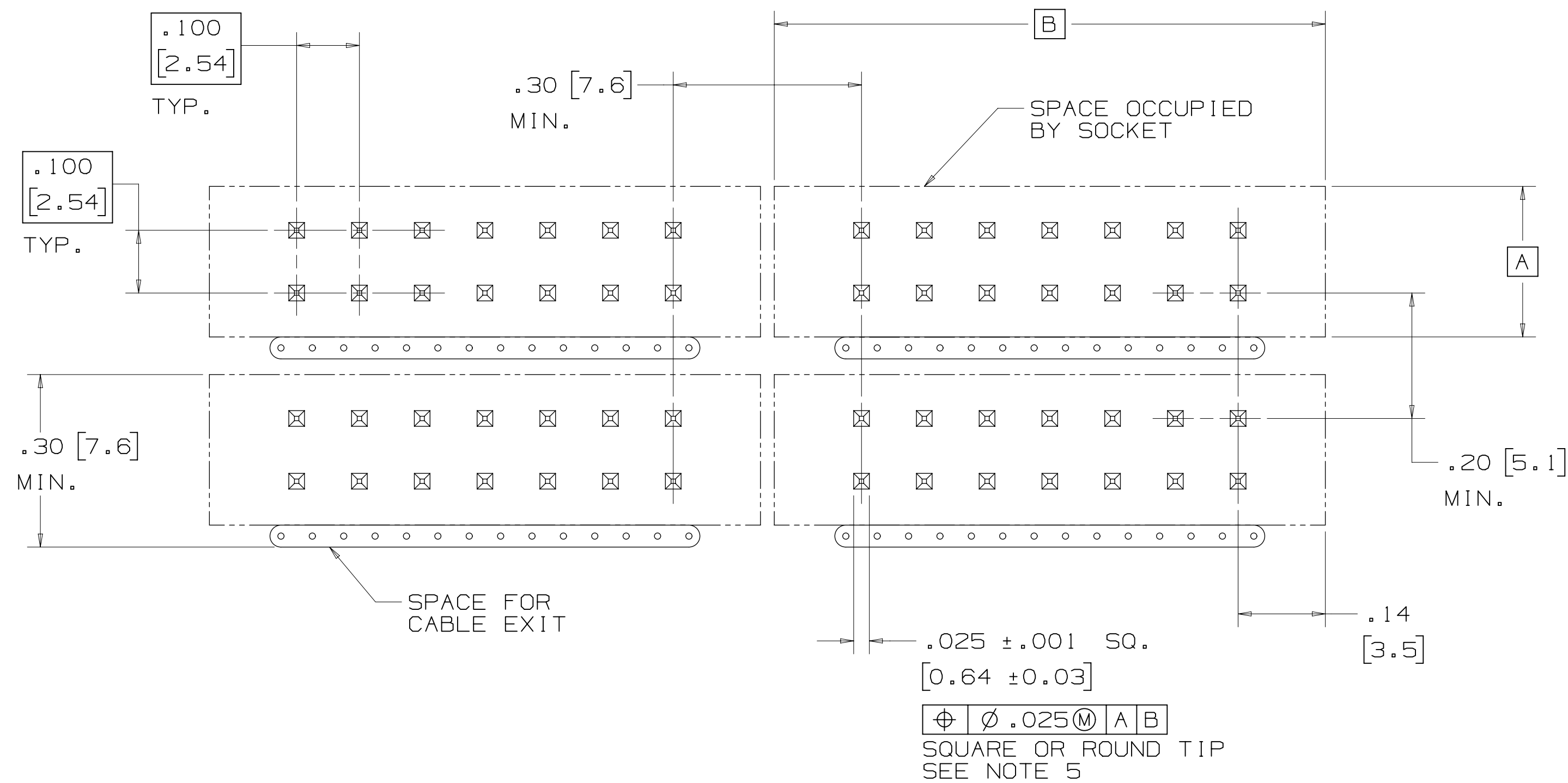
Technical Information: The technical information, recommendations and other statements contained in this document are based upon tests or experience that 3M believes are reliable, but the accuracy or completeness of such information is not guaranteed.

Product Use: Many factors beyond 3M's control and uniquely within user's control can affect the use and performance of a 3M product in a particular application. Given the variety of factors that can affect the use and performance of a 3M product, user is solely responsible for evaluating the 3M product and determining whether it is fit for a particular purpose and suitable for user's method of application.

Warranty, Limited Remedy, and Disclaimer: Unless an additional warranty is specifically stated on the applicable 3M product packaging or product literature, 3M warrants that each 3M product meets the applicable 3M product specification at the time 3M ships the product. 3M MAKES NO OTHER WARRANTIES OR CONDITIONS, EXPRESS OR IMPLIED, INCLUDING, BUT NOT LIMITED TO, ANY IMPLIED WARRANTY OR CONDITION OF MERCHANTABILITY OR FITNESS FOR A PARTICULAR PURPOSE OR ANY IMPLIED WARRANTY OR CONDITION ARISING OUT OF A COURSE OF DEALING, CUSTOM OR USAGE OR TRADE. If the 3M product does not conform to this warranty, then the sole and exclusive remedy is, at 3M's option, replacement of the 3M product or refund of the purchase price.

Limitation of Liability: Except where prohibited by law, 3M will not be liable for any loss or damage arising from the 3M product, whether direct, indirect, special, incidental or consequential, regardless of the legal theory asserted, including warranty, contract, negligence or strict liability.

3M Company
 Electronics Materials Solutions Division
 13011 McCallen Pass, Bldg. C
 Austin, TX 78753-5380
 1-800-225-5373
 www.3M.com/interconnect



DESIGN REFERENCE	NEXT ASSEMBLY	REV	ECO	ISSUE DATE AND DESCRIPTION	DRFT	CHKD
				APR 27, 2021		
DIVISION		DIVISION CODE		DATE		
EMSD		EMSD		APR 27, 2021		
DO NOT SCALE DRAWING	SCALE 6/1	TOLERANCES EXCEPT AS NOTED				
THIRD ANGLE PROJECTION	INTERPRET PER ASME Y14.5 - 2018	INCHES .0 ± .1 .00 ± .01 .000 ± .005 .0000 ± .0005		TITLE IDC RIBBON CABLE SKT, .100 X .100, CABLE PITCH .050, D891		
MAX SURFACE ROUGHNESS	DTX SURFACES	MILLIMETERS 0 ± .0 ± .00 ± .000 ±		CAGE NUMBER D78-5100-2243-3		
MARKED ONLY	ANGLES	MODEL D891		REV. H		

78-5100-2243-3
 DRAWING NUMBER
 H REVISION
 6
 D891
 TIME 5/18/2021 -- UTC D891-set (hrs)