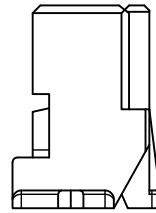
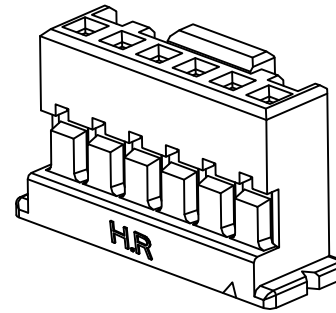


02P



03P&04P



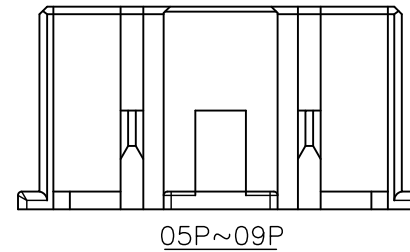
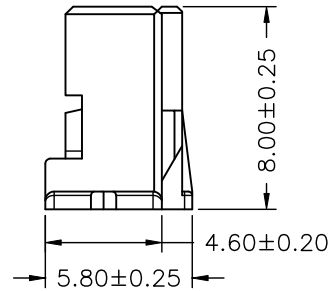
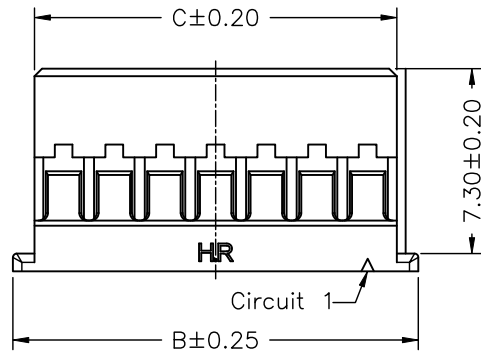
P/N LEGEND

A2007	H-XP	N	0	W	NP	N	00	G	
①	②	③	④	⑤	⑥	⑦	⑧	⑨	⑩

① Series No.  
 ② Connector type: H=Housing  
 ③ No. of circuits  
 ④ N=Halogen Free  
 ⑤ Material: 0=Nylon 66-V0  
 ⑥ Color: W=White  
 ⑦ Plating code: NP=Non-plating  
 ⑧ Plating code: N=Non-plating  
 ⑨ Option code: 00=Standard  
 ⑩ Packing code: G=Bag

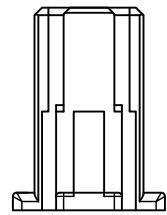
SPECIFICATIONS

Current Rating: 3A AC,DC  
 Voltage Rating: 250V AC,DC  
 Temperature Range: -25°C ~ +85°C  
 Contact Resistance: 10mΩ Max.  
 Insulation Resistance: 1000MΩ Min.  
 Withstanding Voltage: 800V AC/minute

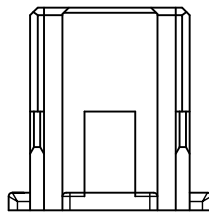


05P~09P

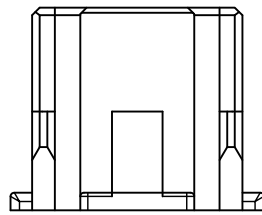
Circuit No.	Dimensions				
	A	B	C	D	E
02P	2.00	6.00	4.30	4.30	2.60
03P	4.00	8.00	6.30	6.30	3.75
04P	6.00	10.00	8.30	8.30	4.50
05P	8.00	12.00	10.30	7.90	4.50
06P	10.00	14.00	12.30	7.90	4.50
07P	12.00	16.00	14.30	7.90	4.50
08P	14.00	18.00	16.30	7.90	4.50
09P	16.00	20.00	18.30	7.90	4.50



02P

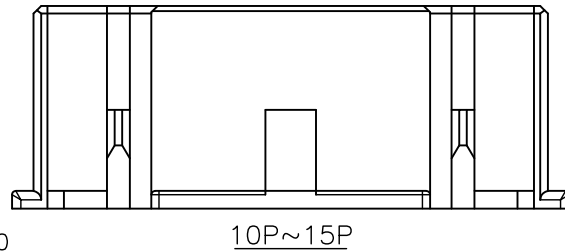
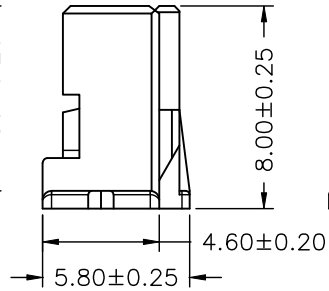
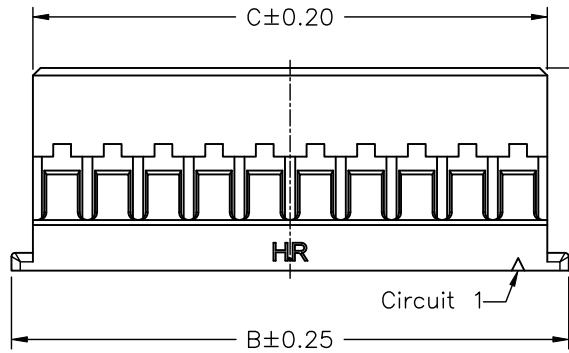
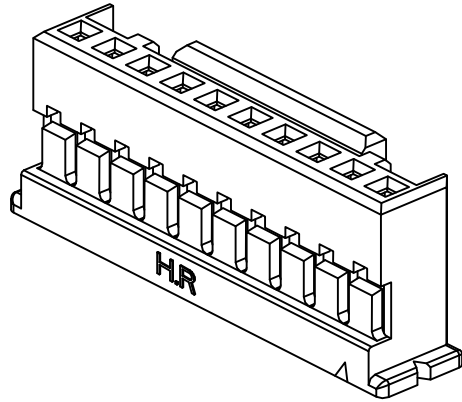
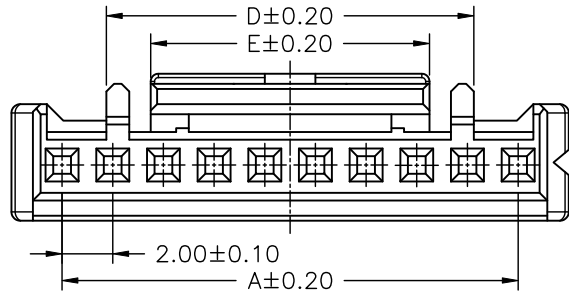


03P



04P

				燦達電子工業股份有限公司 JOINT TECH ELECTRONIC IND. CO., LTD.			
UNIT	SCALE	SHEET	TITLE:				
mm	1 : 1	1 of 3	2.00mm PITCH HOUSING				
DRAWN BY	APPROVED BY					DRAW NO. :	
周傑亮	徐富永					A2007H-XPXXXXXXX	
2022.03.23	2022.03.23		REV. A1				
GENERAL TOLERANCE							
A1	EN202209261182	2022.09.26	周傑亮	X. X±0.25	ANGLE±		
A0	NEW RELEASE	2022.03.23	周傑亮	X. XX±0.15			
REV.	DESCRIPTION	DATE	NAME	X. XXX±0.05			



P/N LEGEND

A2007	H-XP	N	0	W	NP	N	00	G	
①	②	③	④	⑤	⑥	⑦	⑧	⑨	⑩

① Series No.  
 ② Connector type: H=Housing  
 ③ No. of circuits  
 ④ N=Halogen Free  
 ⑤ Material: 0=Nylon 66-V0  
 ⑥ Color: W=White  
 ⑦ Plating code: NP=Non-plating  
 ⑧ Plating code: N=Non-plating  
 ⑨ Option code: 00=Standard  
 ⑩ Packing code: G=Bag

SPECIFICATIONS

Current Rating: 3A AC,DC  
 Voltage Rating: 250V AC,DC  
 Temperature Range: -25°C ~ +85°C  
 Contact Resistance: 10mΩ Max.  
 Insulation Resistance: 1000MΩ Min.  
 Withstanding Voltage: 800V AC/minute

Circuit No.	Dimensions				
	A	B	C	D	E
10P	18.00	22.00	20.30	14.50	11.00
11P	20.00	24.00	22.30	14.50	11.00
12P	22.00	26.00	24.30	14.50	11.00
13P	24.00	28.00	26.30	14.50	11.00
14P	26.00	30.00	28.30	14.50	11.00
15P	28.00	32.00	30.30	14.50	11.00

				燦達電子工業股份有限公司 JOINT TECH ELECTRONIC IND. CO., LTD.				
UNIT	SCALE	SHEET	TITLE:					
mm	1 : 1	2 of 3						
DRAWN BY	APPROVED BY		<b>2.00mm PITCH HOUSING</b>					
周傑亮 2022.03.23	徐富永 2022.03.23							
GENERAL TOLERANCE			DRAW NO. : A2007H-XPNXXXXXXXXX					
A1	EN202209261182	2022.09.26				周傑亮	X. X±0.25	ANGLE±
A0	NEW RELEASE	2022.03.23				周傑亮	X. XX±0.15	
REV.	DESCRIPTION	DATE				NAME	X. XXX±0.05	



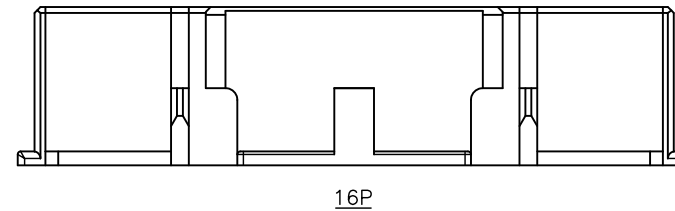
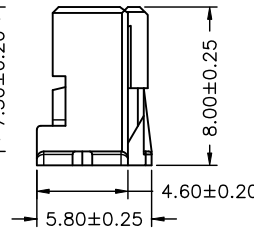
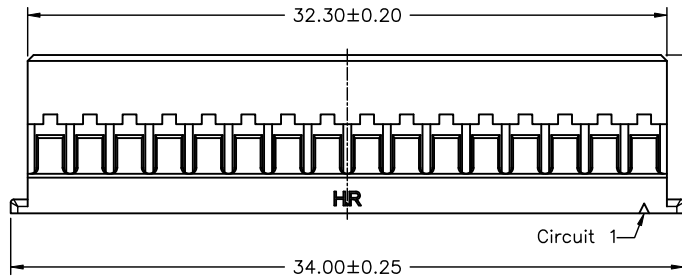
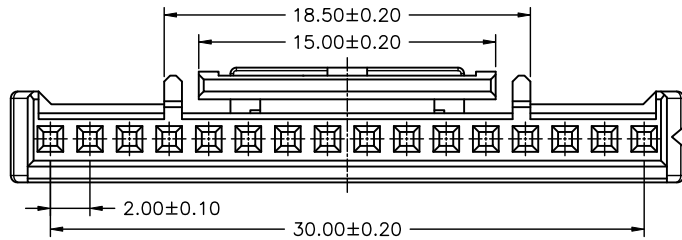
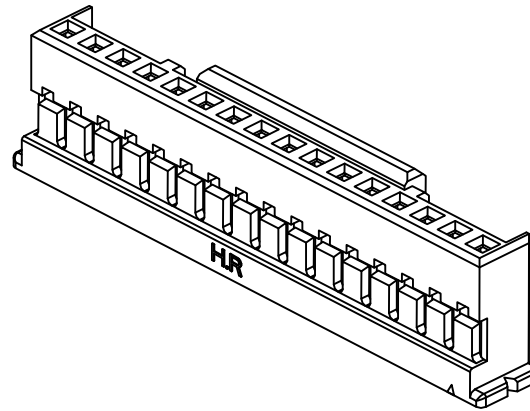
P/N LEGEND

A2007 H-16P N 0 W NP N 00 G  
 ① ② ③ ④ ⑤ ⑥ ⑦ ⑧ ⑨ ⑩

- ① Series No.
- ② Connector type: H=Housing
- ③ No. of circuits
- ④ N=Halogen Free
- ⑤ Material: 0=Nylon 66-V0
- ⑥ Color: W=White
- ⑦ Plating code: NP=Non-plating
- ⑧ Plating code: N=Non-plating
- ⑨ Option code: 00=Standard
- ⑩ Packing code: G=Bag

SPECIFICATIONS

Current Rating: 3A AC,DC  
 Voltage Rating: 250V AC,DC  
 Temperature Range: -25°C ~ +85°C  
 Contact Resistance: 10mΩ Max.  
 Insulation Resistance: 1000MΩ Min.  
 Withstanding Voltage: 800V AC/minute



				燦達電子工業股份有限公司 JOINT TECH ELECTRONIC IND. CO., LTD.	
UNIT		SCALE	SHEET		TITLE:
mm		1 : 1	3 of 3		
DRAWN BY 周傑亮 2022.03.23		APPROVED BY 徐富永 2022.03.23			2.00mm PITCH HOUSING
GENERAL TOLERANCE					
A1	EN202209261182	2022.09.26	周傑亮	X.X±0.25	
A0	NEW RELEASE	2022.03.23	周傑亮	X.XX±0.15	
REV.	DESCRIPTION	DATE	NAME	X.XXX±0.05	



REV. A1