

1 |

2 |

3 |

4 |

P/N LEGEND

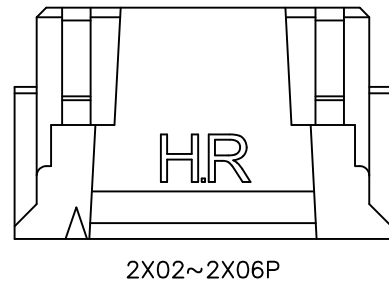
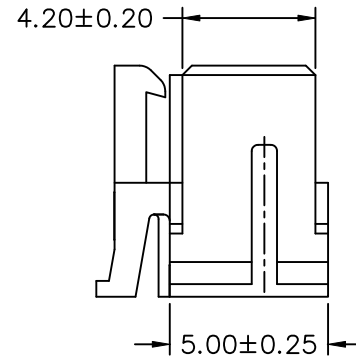
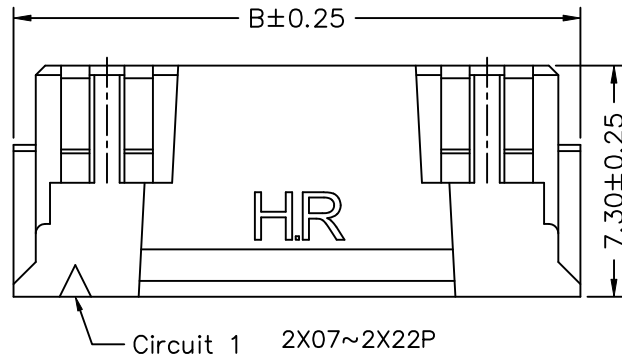
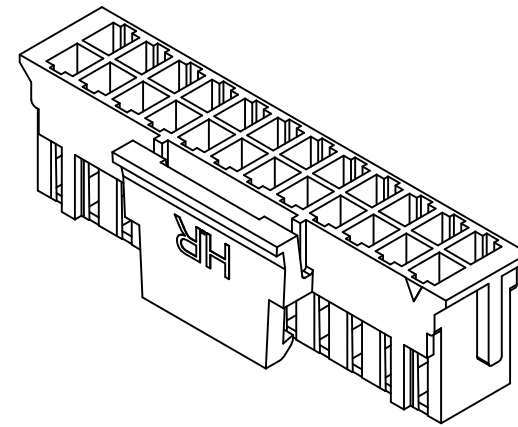
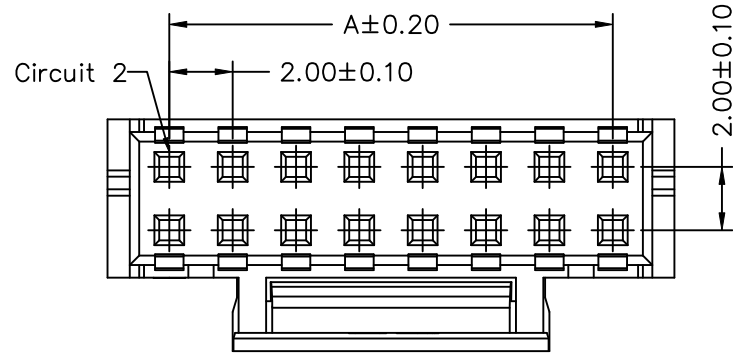
A2004 HB-2XNP XXX
① ② ③ ④

- ① Series No.
- ② Connector type: H=Housing B Type
- ③ No. of circuits
- ④ Option code:
Blank=Standard

SPECIFICATIONS

Current Rating: 3A AC,DC
 Voltage Rating: 250V AC,DC
 Temperature Range: -25°C ~ +85°C
 Contact Resistance: 10mΩ Max.
 Insulation Resistance: 1000MΩ Min.
 Withstanding Voltage: 800V AC/minute
 Material: Nylon 66,UL94V-0
 Color: Natural(White)

Circuit No.	Dimensions		Circuit No.	Dimensions	
	A	B		A	B
02P	2.00	5.90	12P	22.00	25.90
03P	4.00	7.90	13P	24.00	27.90
04P	6.00	9.90	14P	26.00	29.90
05P	8.00	11.90	15P	28.00	31.90
06P	10.00	13.90	16P	30.00	33.90
07P	12.00	15.90	17P	32.00	35.90
08P	14.00	17.90	18P	34.00	37.90
09P	16.00	19.90	19P	36.00	39.90
10P	18.00	21.90	20P	38.00	41.90
11P	20.00	23.90	22P	42.00	45.90



燦達電子工業股份有限公司
 JOINT TECH ELECTRONIC IND. CO., LTD.

UNIT: mm SCALE: 1:1 SHEET: 1 of 1

DRAWN BY: 歐陽小強 2008.01.08
 APPROVED BY: 謝瑞清 2008.01.08

GENERAL TOLERANCE

A3: X.X±0.25
 A2: X.XX±0.15
 REV: X.XXX±0.05

TITLE: 2.00mm PITCH HOUSING
 DRAW NO.: A2004HB-2XNP REV. A3

1 |

2 |

3 |

4 |