

SEE DETAIL Z

OPTIONAL VOIDED CIRCUIT  
SEE CHART FOR LOCATION

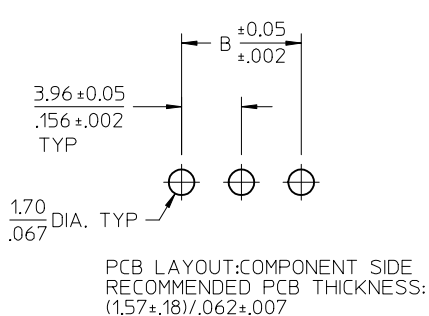
NOTES:

- MATERIAL: GLASS FILLED POLYESTER, 94V-0, MOLDED BLACK
- FINISH:

- (197) OVERALL REFLOWED MATTE TIN: 0.00152/0.00060 MIN. OVER 0.00127/0.00050 MIN. NICKEL OVERALL.
- (208) SELECT GOLD: 0.00038/0.00015 MIN. SELECT TIN: 0.00254/0.000100 MIN. OVERALL NICKEL UNDERPLATE: 0.00127/0.00050 MIN.
- (228) SELECT GOLD: 0.00076/0.00030 MIN. SELECT TIN: 0.00254/0.000100 MIN. OVERALL NICKEL UNDERPLATE: 0.00127/0.00050 MIN.

- PRODUCT SPECIFICATION: PS-08-50.
- PACKAGING INFORMATION: SEE CHARTS
- SOLDERABILITY: PER SMES-152.
- PIN PUSH-OUT FORCE: PRIOR TO SOLDERING, A 3 LB. MINIMUM FORCE (IN EITHER DIRECTION) SHALL BE REQUIRED TO PUSH THE PIN OUT OF THE HEADER.
- PARTS ARE STACKABLE END TO END ON 3.96/0.156 CENTERS. (SPACING TABS MUST BE REMOVED ON CIRCUIT SIZES 1-23 BEFORE PARTS ARE STACKABLE.)
- THIS PART CONFORMS TO CLASS B REQUIREMENTS OF COSMETIC SPECIFICATION PS-45499-002.
- TEXT ON PART IS FOR REFERENCE ONLY. TEXT AND TEXT LOCATION MAY VARY DEPENDING ON PART NUMBER AND/OR TOOL.

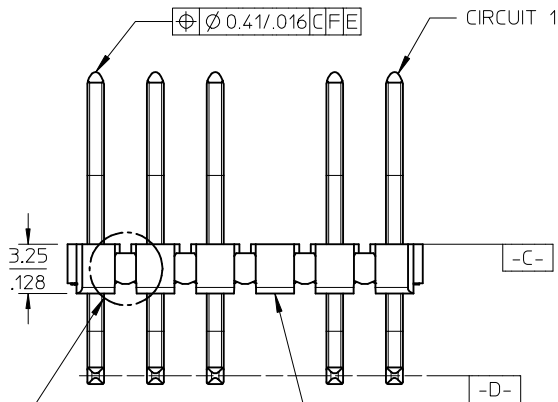
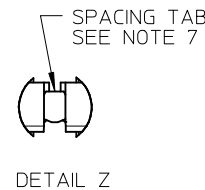
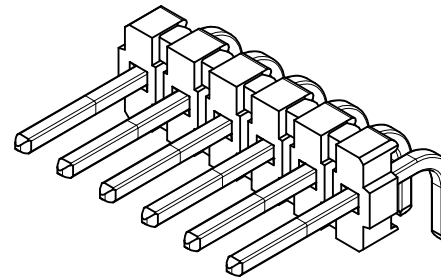
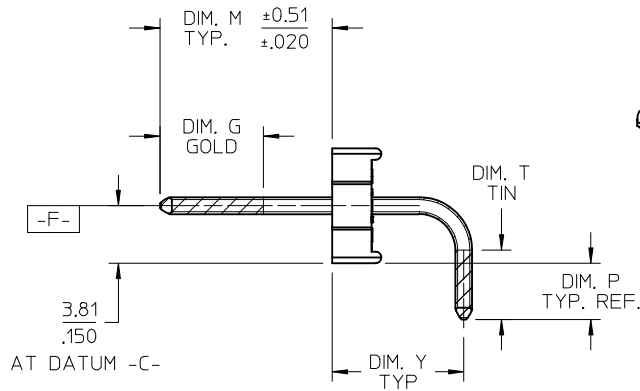
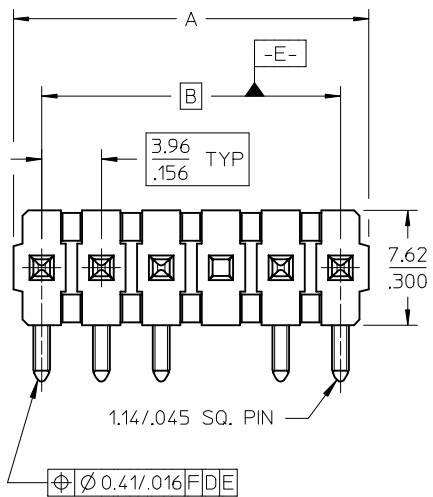
CIRCUIT	B	A
2	3.96 .156	6.78/7.87 .267/1.310
3	7.92 .312	10.74/11.84 .423/1.466
4	11.89 .468	14.71/15.80 .579/1.622
5	15.85 .624	18.67/19.76 .735/1.778
6	19.81 .780	22.63/23.72 .891/1.934
7	23.77 .936	26.59/27.69 1.047/1.090
8	27.74 1.092	30.56/31.65 1.203/1.246
9	31.70 1.248	34.52/35.61 1.359/1.402
10	35.66 1.404	38.48/39.57 1.515/1.558
11	39.62 1.560	42.44/43.54 1.671/1.714
12	43.59 1.716	46.41/47.50 1.827/1.870
13	47.55 1.872	50.37/51.46 1.983/2.026
14	51.51 2.028	54.33/55.42 2.139/2.182
15	55.47 2.184	58.29/59.39 2.295/2.338
16	59.44 2.340	62.26/63.35 2.451/2.494
17	63.40 2.496	66.22/67.31 2.607/2.650
18	67.36 2.652	70.18/71.27 2.763/2.806
19	71.32 2.808	74.14/75.23 2.919/2.962
20	75.29 2.964	78.11/79.20 3.075/3.118
21	79.25 3.120	82.07/83.16 3.231/3.274
22	83.21 3.276	86.03/87.12 3.387/3.430
23	87.17 3.432	89.94/91.08 3.541/3.586
24	91.14 3.588	93.85/95.00 3.695/3.740



NOTE 9 ADDED EC NO: UCP2018-0013 DRWNGES 2017/07/05 CHKD: APPR: ISHWARG 2017/07/28	QUALITY SYMBOLS	GENERAL TOLERANCES (UNLESS SPECIFIED)	DIMENSION STYLE	SCALE	DESIGN UNITS	THIRD ANGLE PROJECTION																	
	$\nabla \text{E} = 0$ $\nabla \text{E} = 0$ $\nabla \text{E} = 0$	<table border="1"> <thead> <tr> <th></th> <th>mm</th> <th>INCH</th> </tr> </thead> <tbody> <tr> <td>4 PLACES</td> <td>± ---</td> <td>± ---</td> </tr> <tr> <td>3 PLACES</td> <td>± ---</td> <td>± .010</td> </tr> <tr> <td>2 PLACES</td> <td>± 0.25</td> <td>± .014</td> </tr> <tr> <td>1 PLACE</td> <td>± 0.36</td> <td>± ---</td> </tr> <tr> <td>0 PLACE</td> <td>± ---</td> <td>± ---</td> </tr> </tbody> </table>		mm	INCH	4 PLACES	± ---	± ---	3 PLACES	± ---	± .010	2 PLACES	± 0.25	± .014	1 PLACE	± 0.36	± ---	0 PLACE	± ---	± ---	MM/IN	2:1	INCH
	mm	INCH																					
4 PLACES	± ---	± ---																					
3 PLACES	± ---	± .010																					
2 PLACES	± 0.25	± .014																					
1 PLACE	± 0.36	± ---																					
0 PLACE	± ---	± ---																					

DRAWN BY MKIPPER CHECKED BY JBELL APPROVED BY FSMITH DATE 2013/08/15 DATE 2013/08/16 DATE 2013/09/13	TITLE <b>KK (3.96)/.156 RIGHT ANGLE BREAKAWAY HEADER ASSEMBLY</b>  <b>molex</b> MATERIAL NO. <b>SEE CHART</b> DOCUMENT NO. <b>SD-172173-0001</b>	SHEET NO. 1 OF *
---	---	---------------------

ANGULAR ±1/2° DRAFT WHERE APPLICABLE MUST REMAIN WITHIN DIMENSIONS SIZE 	THIS DRAWING CONTAINS INFORMATION THAT IS PROPRIETARY TO MOLEX INCORPORATED AND SHOULD NOT BE USED WITHOUT WRITTEN PERMISSION
---	---



OPTIONAL VOIDED CIRCUIT  
SEE CHART FOR LOCATION

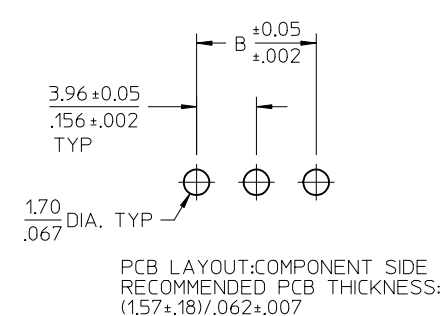
NOTES:

- MATERIAL: GLASS FILLED POLYESTER, 94V-0, MOLDED BLACK
- FINISH:

- (197) OVERALL REFLOWED MATTE TIN: 0.00152/0.00060 MIN. OVER 0.00127/0.00050 MIN. NICKEL OVERALL.
- (208) SELECT GOLD: 0.00038/0.00015 MIN. SELECT TIN: 0.00254/0.000100 MIN. OVERALL NICKEL UNDERPLATE: 0.00127/0.00050 MIN.
- (228) SELECT GOLD: 0.00076/0.00030 MIN. SELECT TIN: 0.00254/0.000100 MIN. OVERALL NICKEL UNDERPLATE: 0.00127/0.00050 MIN.

- PRODUCT SPECIFICATION: PS-08-50.
- PACKAGING INFORMATION: SEE CHARTS
- SOLDERABILITY: PER SMES-152.
- PIN PUSH-OUT FORCE: PRIOR TO SOLDERING, A 3 LB. MINIMUM FORCE (IN EITHER DIRECTION) SHALL BE REQUIRED TO PUSH THE PIN OUT OF THE HEADER.
- PARTS ARE STACKABLE END TO END ON 3.96/0.156 CENTERS. (SPACING TABS MUST BE REMOVED ON CIRCUIT SIZES 1-23 BEFORE PARTS ARE STACKABLE.)
- THIS PART CONFORMS TO CLASS B REQUIREMENTS OF COSMETIC SPECIFICATION PS-45499-002.
- TEXT ON PART IS FOR REFERENCE ONLY. TEXT AND TEXT LOCATION MAY VARY DEPENDING ON PART NUMBER AND/OR TOOL.

CIRCUIT	B	A
2	3.96 .156	6.78/7.87 .267/1.310
3	7.92 .312	10.74/11.84 .423/1.466
4	11.89 .468	14.71/15.80 .579/1.622
5	15.85 .624	18.67/19.76 .735/1.778
6	19.81 .780	22.63/23.72 .891/1.934
7	23.77 .936	26.59/27.69 1.047/1.090
8	27.74 1.092	30.56/31.65 1.203/1.246
9	31.70 1.248	34.52/35.61 1.359/1.402
10	35.66 1.404	38.48/39.57 1.515/1.558
11	39.62 1.560	42.44/43.54 1.671/1.714
12	43.59 1.716	46.41/47.50 1.827/1.870
13	47.55 1.872	50.37/51.46 1.983/2.026
14	51.51 2.028	54.33/55.42 2.139/2.182
15	55.47 2.184	58.29/59.39 2.295/2.338
16	59.44 2.340	62.26/63.35 2.451/2.494
17	63.40 2.496	66.22/67.31 2.607/2.650
18	67.36 2.652	70.18/71.27 2.763/2.806
19	71.32 2.808	74.14/75.23 2.919/2.962
20	75.29 2.964	78.11/79.20 3.075/3.118
21	79.25 3.120	82.07/83.16 3.231/3.274
22	83.21 3.276	86.03/87.12 3.387/3.430
23	87.17 3.432	89.94/91.08 3.541/3.586
24	91.14 3.588	93.85/95.00 3.695/3.740



NOTE 9 ADDED EC NO: UCP2018-0013 DRWNGES 2017/07/05 CHKD: APPR: ISHWARG 2017/07/28	QUALITY SYMBOLS	GENERAL TOLERANCES (UNLESS SPECIFIED)		DIMENSION STYLE		SCALE	DESIGN UNITS	THIRD ANGLE PROJECTION
	$\nabla \text{E} = 0$ $\nabla \text{E} = 0$ $\nabla \text{E} = 0$	mm	INCH	MM/IN	2:1	INCH		
REV B	4 PLACES	± ---	± ---	DRAWN BY	DATE	TITLE KK (3.96)/.156 RIGHT ANGLE BREAKAWAY HEADER ASSEMBLY		
	3 PLACES	± ---	± .010	CHECKED BY	DATE			
	2 PLACES	± 0.25	± .014	APPROVED BY	DATE			
	1 PLACE	± 0.36	± ---	FSMITH	2013/09/13			
	0 PLACE	± ---	± ---	MATERIAL NO.		DOCUMENT NO.	SHEET NO.	
DRAFT WHERE APPLICABLE MUST REMAIN WITHIN DIMENSIONS			ANGULAR ±1/2°		SEE CHART		SD-172173-0001	1 OF *
THIS DRAWING CONTAINS INFORMATION THAT IS PROPRIETARY TO MOLEX INCORPORATED AND SHOULD NOT BE USED WITHOUT WRITTEN PERMISSION								

GROUP:						172173-0002/-0024					
PLATING						197 TIN					
MATING LENGTH: M						11.43 / .450					
GOLD POINT: G						N/A					
PIN HEIGHT: Y						8.71 / .343					
PC TAIL LENGTH: P						3.73 / .147					
TIN: T						OVERALL					
CKTS:						2-24					
VOIDED CKTS:						SEE TABLE					
PACKAGING:						BULK PK-41662-001					
CIRCUITS	PART NUMBER	VOIDS	CIRCUITS	PART NUMBER	VOIDS	CIRCUITS	PART NUMBER	VOIDS	CIRCUITS	PART NUMBER	VOIDS
2	172173-0002		14	172173-0014							
3	172173-0003		15	172173-0015							
4	172173-0004		16	172173-0016							
5	172173-0005		17	172173-0017							
6	172173-0006		18	172173-0018							
7	172173-0007		19	172173-0019							
8	172173-0008		20	172173-0020							
9	172173-0009		21	172173-0021							
10	172173-0010		22	172173-0022							
11	172173-0011		23	172173-0023							
12	172173-0012		24	172173-0024							
13	172173-0013										

GROUP:						172173-1002/-1024					
PLATING						208 GOLD					
MATING LENGTH: M						11.43 / .450					
GOLD POINT: G						6.86 / .270					
PIN HEIGHT: Y						8.71 / .343					
PC TAIL LENGTH: P						3.73 / .147					
TIN: T						5.08 / .200					
CKTS:						2-24					
VOIDED CKTS:						SEE TABLE					
PACKAGING:						BULK PK-41662-001					
CIRCUITS	PART NUMBER	VOIDS	CIRCUITS	PART NUMBER	VOIDS	CIRCUITS	PART NUMBER	VOIDS	CIRCUITS	PART NUMBER	VOIDS
2	172173-1002		14	172173-1014							
3	172173-1003		15	172173-1015							
4	172173-1004		16	172173-1016							
5	172173-1005		17	172173-1017							
6	172173-1006		18	172173-1018							
7	172173-1007		19	172173-1019							
8	172173-1008		20	172173-1020							
9	172173-1009		21	172173-1021							
10	172173-1010		22	172173-1022							
11	172173-1011		23	172173-1023							
12	172173-1012		24	172173-1024							
13	172173-1013										

REV: <b>A</b>	<u>ECR/ECN INFORMATION:</u>		<u>TITLE:</u>  <b>KK .156 HEADER ASSEMBLY FLAT BREAKAWAY, 2-24 CKTS.</b>				<u>SHEET No.</u>  <b>- 2 -</b>	
	EC No.:	<b>UCP2014-0747</b>					DATE:	<b>2/9/2016</b>
<u>DOCUMENT NUMBER:</u> <b>SD-172173-0001</b>			<u>CREATED / REVISED BY:</u> <b>MKIPPER</b>		<u>CHECKED BY:</u> <b>JBELL</b>		<u>APPROVED BY:</u> <b>FSMITH</b>	