

RoHS+HF

# Engineer Drawing

**NOTE:**

**1.MATERIAL SPECIFICATION:**

- 1-1.HOUSING: LCP,UL94V-0
- 1-2.CONTACTS: PHOSPHOR BRONZE
- 1-3.SOLDER TABS: PHOSPHOR BRONZE

**2.PLATING SPECIFICATION:**

- 2-1.CONTACTS:  
TIN/GOLD FLASH PLATED OVER ALL.
- 2-2.SOLDER TABS:  
Matte Tin PLATED OVER ALL.

**3.MECHANICAL PERFORMANCE:**

- 3-1.RETENTIVITY FORCE: 0.05KGF/pin min
- 3-2.DURABILITY: 10 CYCLES.

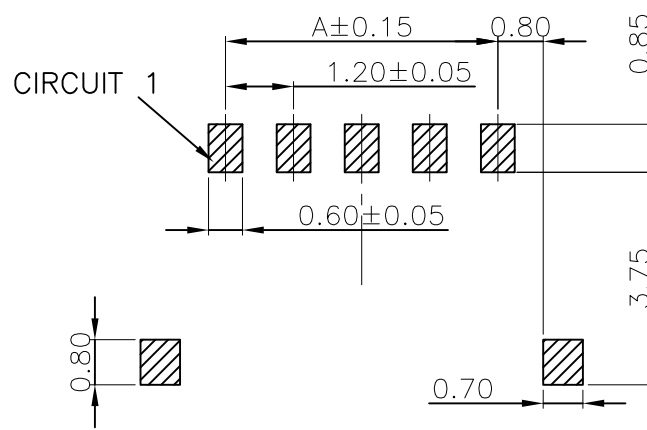
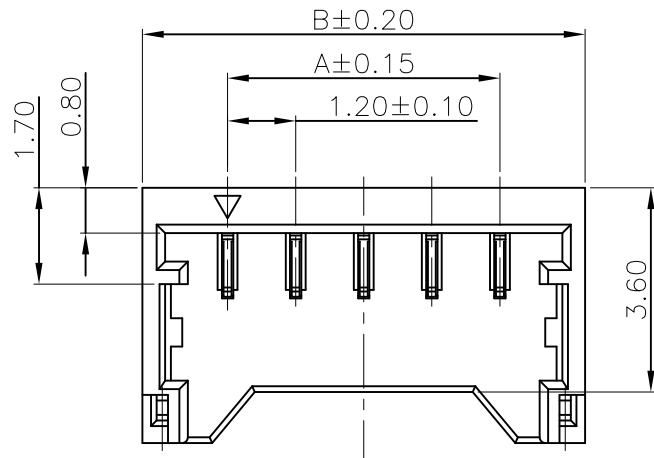
**4.ELECTRICAL PERFORMANCE:**

- 4-1.CURRENT RATING: 1.5A AC/DC  
RATED VOLTAGE : 50V AC/DC
- 4-2.CONTACT RESISTANCE: 20 mΩ MAX
- 4-3.INSULATION RESISTANCE: 100MΩ Min
- 4-4.DIELECTRIC WITHSTANDING : 500V

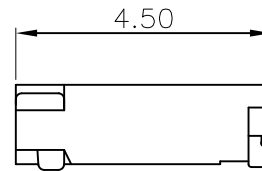
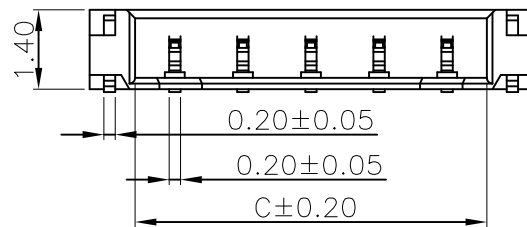
**5.ENVIRONMENTAL PERFORMANCE:**

- 5-1.OPERATING TEMPERATURE: -25°C~+85°C.

**6.PACKAGE SPEC: REEL**



**P.C.B LAYOUT  
(TOP VIEW)**



- IPCW120W \*\* \* \* \* \* \*
- |               |             |                 |                  |               |                 |               |
|---------------|-------------|-----------------|------------------|---------------|-----------------|---------------|
| ①             | ②           | ③               | ④                | ⑤             | ⑥               | ⑦             |
| ① Series Type | ② Pin code. | ③ Material code | ④ Appereace code | ⑤ Ineral code | ⑥ Company code. | ⑦ Other code. |

Circuit	Dimensions (mm)		
	A	B	C
02	---	4.20	2.65
03	2.40	5.40	3.85
04	3.60	6.60	5.05
05	4.80	7.80	6.25
06	6.00	9.00	7.45
07	7.20	10.20	8.65
10	10.80	13.80	12.25

**TOLERANCE**

- .X ± 0.35
- .XX ± 0.25
- .XXX ± 0.0
- ANGLES ±6°

UNLESS OTHERWISE SPECIFIED



[www.i-ncp.com](http://www.i-ncp.com)

PART NO.  
IPCW120W xx

TITLE:  
Pitch 1.20mm MX 90° SMT  
Single row Wafer

DRAWING NO.  
IPCW120W06



SHEET 1 OF 1

UNITS mm

SCALE 1:1

REV. 01