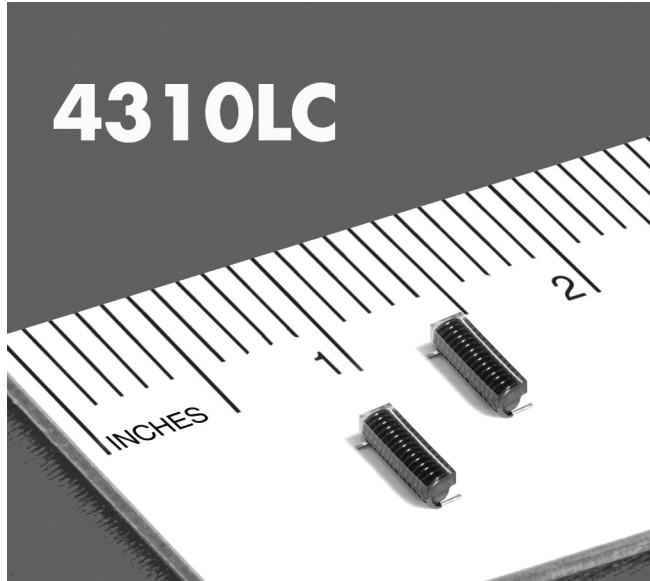


# Wideband Bias Chokes – 4310LC



- Flat bandwidth with high impedance to 6 GHz
- Low DCR and excellent current handling
- Ideal for use in high current bias Tee applications

**Core material** Ferrite

**Environmental** RoHS compliant, halogen free

**Terminations** RoHS compliant tin-silver (96.5/3.5) over copper. Other terminations available at additional cost.

**Weight** 0.42 g

**Ambient temperature** -40°C to +85°C with Irms current.

**Maximum part temperature** +125°C (ambient + temp rise)

**Storage temperature** Component: -40°C to +85°C.

Tape and reel packaging: -40°C to +80°C

**Resistance to soldering heat** Max three 40 second reflows at +260°C, parts cooled to room temperature between cycles

**Moisture Sensitivity Level (MSL)** 1 (unlimited floor life at <30°C / 85% relative humidity)

**Packaging** 350/7" reel, 1500/13" reel; Plastic tape: 24 mm wide, 0.3 mm thick, 12 mm pocket spacing, 3.5 mm pocket depth

**PCB washing** Tested to MIL-STD-202 Method 215 plus an additional aqueous wash. See [Doc787\\_PCB\\_Washing.pdf](#).

Part number <sup>1</sup>	Inductance <sup>2</sup> ±10% (µH)	SRF (typ) <sup>3</sup> (MHz)	DCR (max) <sup>4</sup> (mOhm)	Irms (A) <sup>5</sup>	
				20°C rise	40°C rise
4310LC-132KE_	1.30	235	15.1	2.7	4.2
4310LC-352KE_	3.50	188	49.0	2.3	3.1

1. When ordering, please specify **packaging** code:

**4310LC-352KEC**

**Packaging:** **C** = 7" machine-ready reel. EIA-481 embossed plastic tape (350 parts per full reel). Quantities less than full reel available: in tape (not machine ready) or with leader and trailer (\$25 charge).

**B** = Less than full reel. In an effort to simplify our part numbering system, Coilcraft is eliminating the need for multiple packaging codes. When ordering, simply change the last letter of your part number from B to C.

**D** = 13" machine-ready reel. EIA-481 embossed plastic tape. Factory order only, not stocked (1500 parts per full reel).

2. Inductance measured at 100 kHz, 0.1 Vrms, 0 Adc using an Agilent/HP 16193 fixture in Agilent/HP 4284A impedance analyzer. or equivalents.

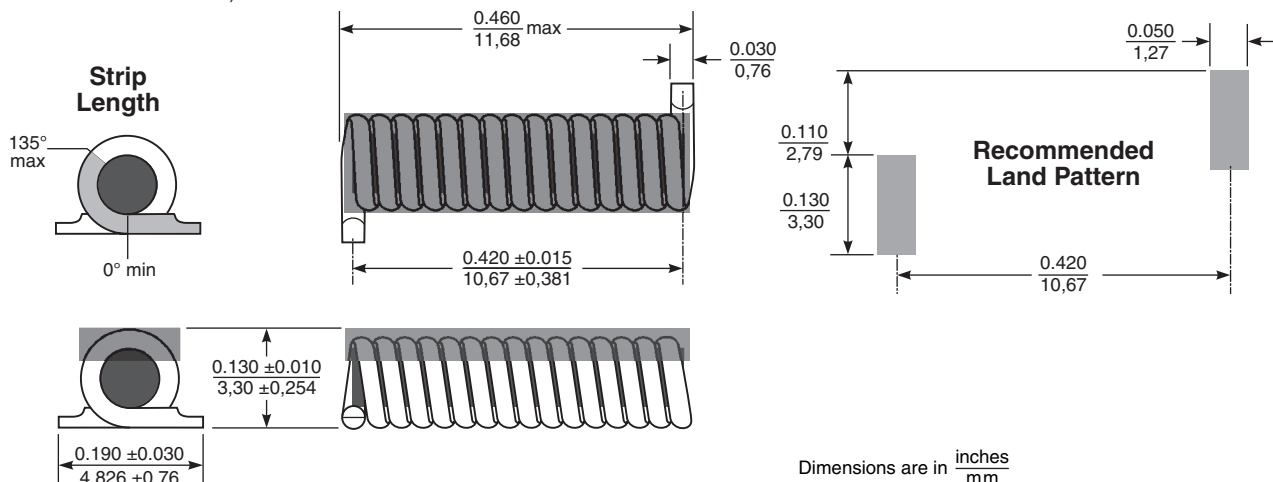
3. SRF measured using Agilent/HP 8753D network analyzer or equivalent and a Coilcraft SMD-F test fixture.

4. DCR measured on Keithley 580 micro-ohmmeter or equivalent.

5. Current that causes the specified temperature rise from 25°C ambient. Because of their open construction, these parts will not saturate.

7. Electrical specifications at 25°C.

Refer to Doc 362 "Soldering Surface Mount Components" before soldering.



Dimensions are in  $\frac{\text{inches}}{\text{mm}}$



www.coilcraft.com

**US** +1-847-639-6400 sales@coilcraft.com

**UK** +44-1236-730595 sales@coilcraft-europe.com

**Taiwan** +886-2-2264 3646 sales@coilcraft.com.tw

**China** +86-21-6218 8074 sales@coilcraft.com.cn

**Singapore** + 65-6484 8412 sales@coilcraft.com.sg

Document 878-1 Revised 12/02/21

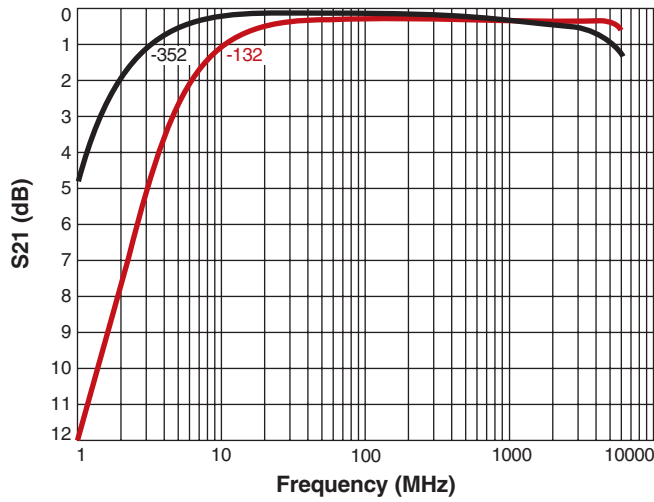
© Coilcraft Inc. 2021

This product may not be used in medical or high risk applications without prior Coilcraft approval. Specification subject to change without notice. Please check web site for latest information.

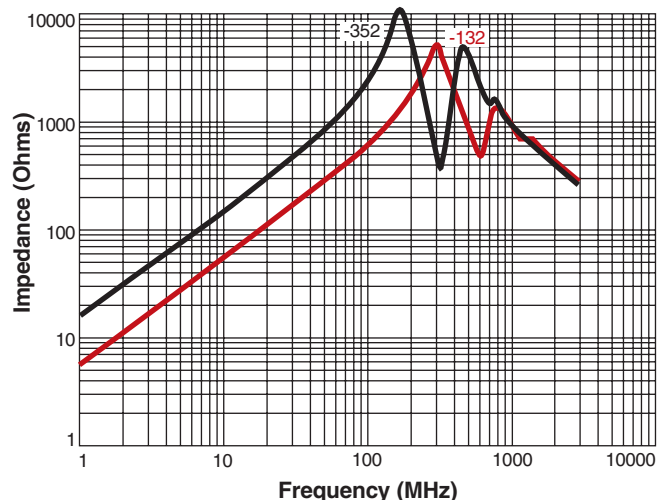


# Wideband Bias Chokes - 4310LC

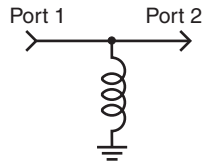
## Insertion Loss (Ref: 50 Ohms)



## Impedance vs Frequency



Insertion loss measured in a bias tee configuration with an Agilent/HP 8753ES network analyzer.



# Mouser Electronics

Authorized Distributor

Click to View Pricing, Inventory, Delivery & Lifecycle Information:

[Coilcraft:](#)

[4310LC-352KEB](#) [4310LC-132KEC](#) [4310LC-132KEB](#) [4310LC-352KEC](#)