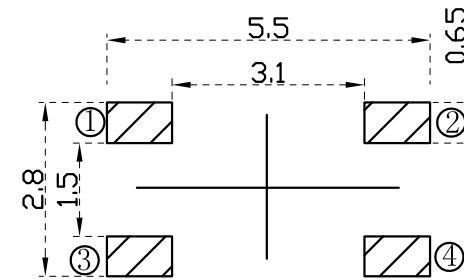
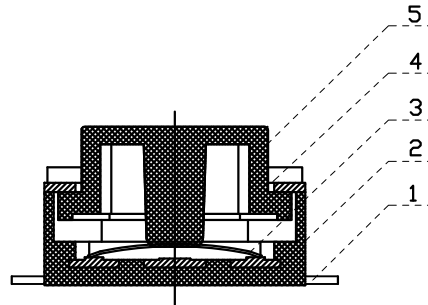
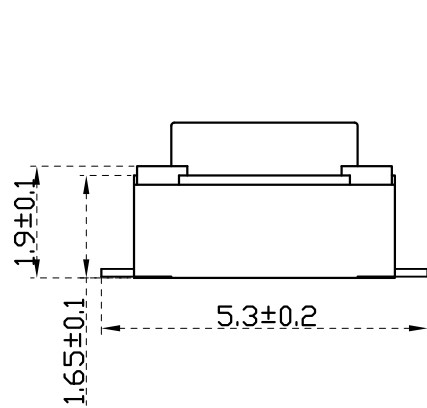





SPECIFICATION

1. Rating : AC12V 50mA.
2. Contact resistance:  $\leq 100m\Omega$ .
3. Insulation resistance:  $\geq 100M\Omega$  (DC100V).
4. Withstanding voltage: 250VAC .
5. Operating Force: 160±50gf/250±80gf (依客户需求而定).
6. Travel: 0.15±0.1mm.
7. life test: 10,000 cycles.
8. Operation temperature range: -25°C~85°C.



PCB 板焊盘尺寸

				TOLERANCE UNLESS SPECIFIED							
				UP TO 5mm: ±0.1	ANGULAR						
				ABOVE 5mm: ±0.2	±1°	NO	DATE	REVISIONS		BY	APPD
5	STEM	LCP	1	WHITE	TITLE: TACT SWITCH		UNIT : MM	ROHS COMPLIANT	DWN		
4	COVER	PHOSPHOR BRONZE	1	Sn-PLATED	MODEL: TS-1188-E		SCALE: 1:1		CHK'D		
3	CONTACT	SUS	1	Ag-PLATED	 DONGGUANG HAOYU ELECTRONICS CO., LTD 东莞市弘皓电子有限公司				APPD		
2	CASE	LCP	1	WHITE							
1	TERMINAL	PHOSPHOR BRONZE	2	Ag-PLATED							
NO.	PART NAME	MATERIAL	QTY	FINISHING					PRO.AGL:	 	REV :A0