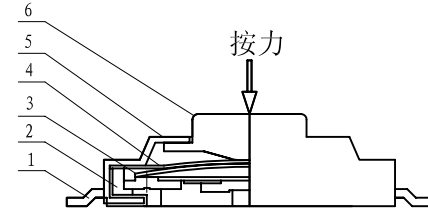
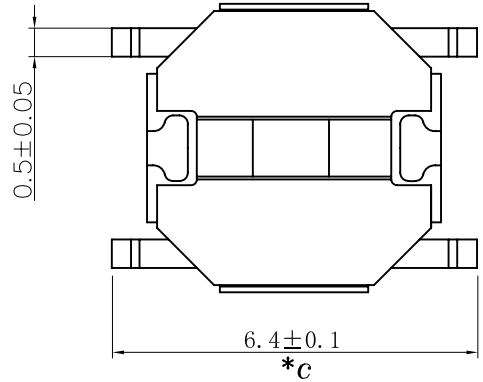
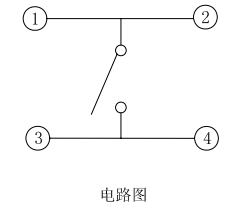





PCB 板焊盘尺寸



Travel: 0.15±0.1mm

高度	PCS/盘
H=1.5mm	4000
H=1.6mm	4000
H=1.7mm	4000
H=2.0mm	3000
H=2.5mm	3000
H=3.0mm	2500

						TOLERANCE UNLESS SPECIFIED								
6	TERMINAL	BRASS	4	Ag-plating	UP TO 5mm: ±0.1	ANGULAR	1	2021.4.21	更新图纸		WM			
5	CASE	LCP	1	Black	ABOVE 5mm: ±0.2	±1°	NO	DATE	REVISIONS		BY	APPD		
4	CONTACT	SUS301	1	Ag-plating	TITLE: TACT SWITCH			UNIT : MM	ROHS	DWN				
3	Waterproof membrane	PI	1	Yellow	MODEL: TS-1187-017E			SCALE: 1:1	COMPLIANT	CHK'D				
2	COVER	SUS304	1	White	 DONGGUANG HAOYU ELECTRONICS CO., LTD 东莞市弘皓电子有限公司							APPD		
1	STEM	BRASS	1	Yellow								PRO.AGL:		
NO.	PART	NAME	MATERIAL	QTY	FINISHING									