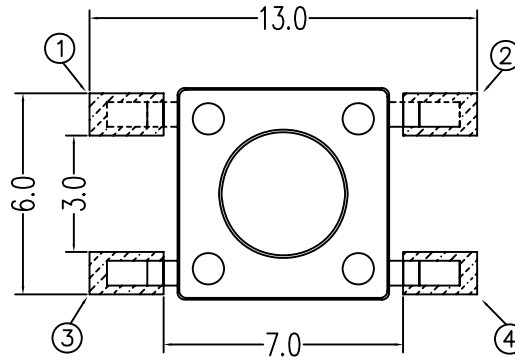
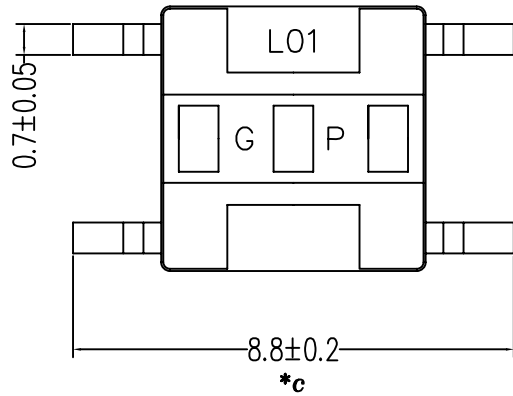
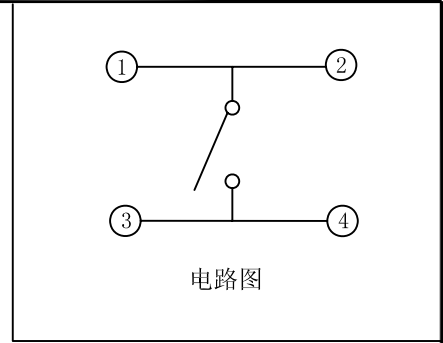
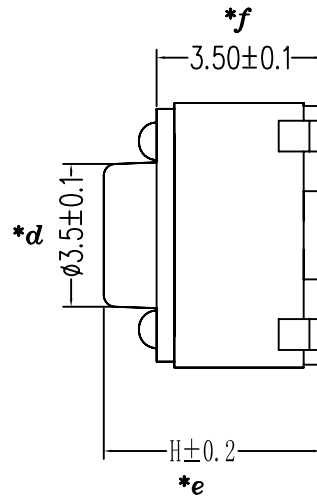
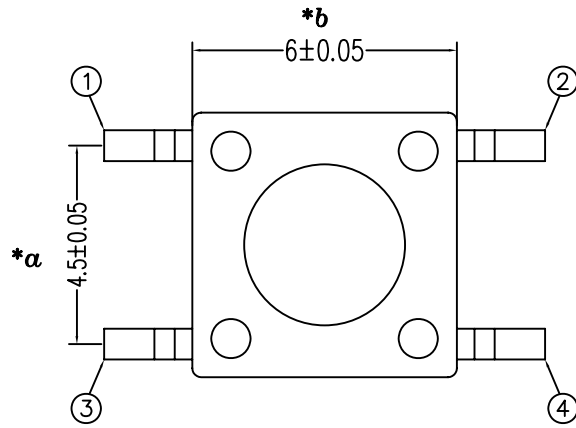
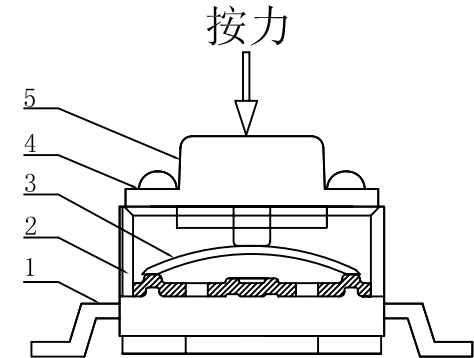





HAOYU



PCB板焊盘尺寸



H=XX mm

				TOLERANCE UNLESS SPECIFIED		A3	2023.3.23	增加电镀 Δ	MLQ	
				UP TO 5mm: ±0.1		A2	2023.2.10	增加H高度	WM	
				ABOVE 5mm: ±0.2		A1	2021.9.13	变更脚距尺寸	WM	
				ANGULAR ±1°		NO	DATE	REVISIONS	BY APPD	
5	STEM	PA9T	1	BLACK	TITLE: TACT SWITCH			UNIT : MM	ROHS COMPLIANT	DWN
4	COVER	BRASS	1	Copper tin Plating Δ	MODEL: TC-06104A-100E			SCALE: 1:1	CHK'D	
3	CONTACT	SUS	1	Ag-Plated	 DONGGUANG HAOYU ELECTRONICS CO., LTD 东莞市弘皓电子有限公司			APPD		
2	CASE	PA9T	1	BLACK				PRO.AGL:  	REV :A3	
1	TERMINAL	BRASS	1	Ag-Plated						
NO.	PART NAME	MATERIAL	QTY	FINISHING						