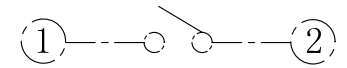
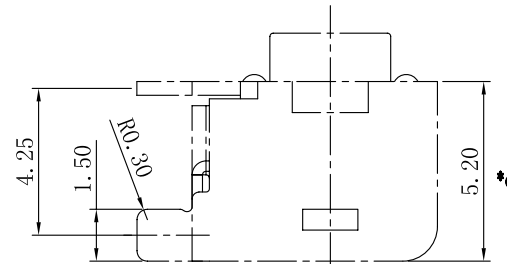
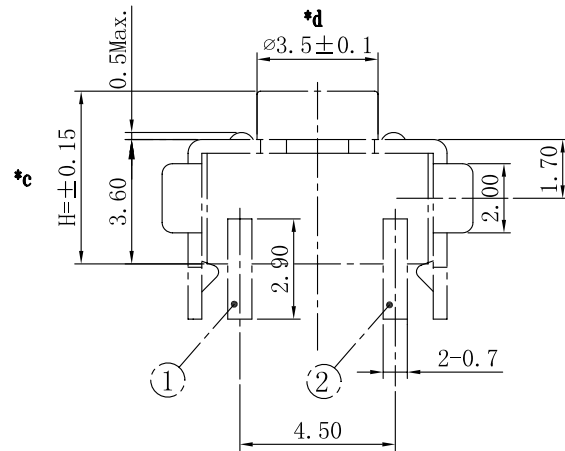


P.C.B LAYOUT



SCHEMATIC



Travel : 0.25 ± 0.1mm.

H
4.3
4.5
5.0
5.5
6.0
7.0
8.0
8.5
9.0
9.5

NO.	PART NAME	MATERIAL	QTY	FINISHING	TOLERANCE		DATE	REVISIONS	BY	APPD	
					UNLESS SPECIFIED	ANGULAR					
					UP TO 5mm: ±0.1	ANGULAR ±1°	A2 2023.7.14	更新材质表	WM		
					ABOVE 5mm: ±0.2		A1 2021.3.29	更新图纸	WM		
5	SHRAPNEL	SUS	1	Ag-Plated			NO				
4	TERMINAL	BRASS	1	Ag-Plated							
3	COVER	SPCC	1	Sn/Ni-Plated							
2	KNOB	PPA	1	BLACK							
1	BASE	PPA	1	BLACK							
					TITLE: TACT SWITCH			UNIT : MM	ROHS COMPLIANT	DWN	
					MODEL: TC-00250D-050C-NI			SCALE: 1:1		CHK'D	
					 DONGGUANG HAOYU ELECTRONICS CO., LTD 皓宇 东莞市弘皓电子有限公司					APPD	
								PRO.AGL:	 	REV :A2	