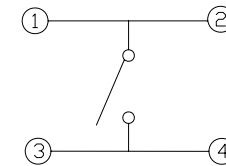
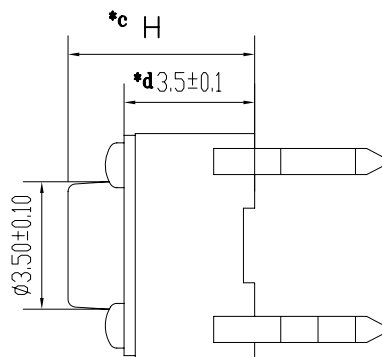
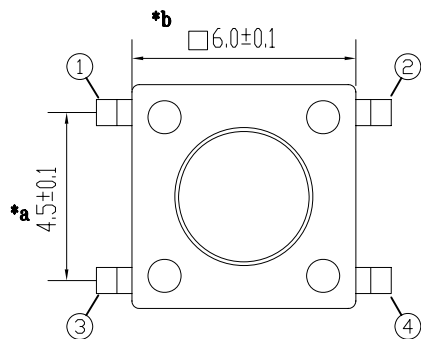
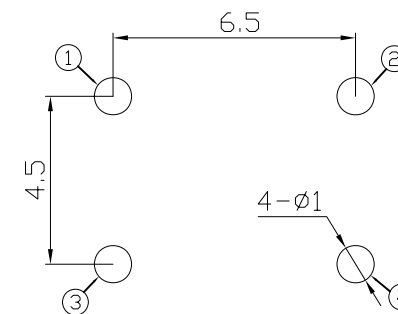
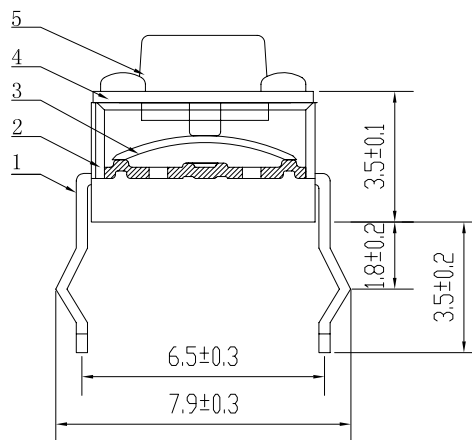
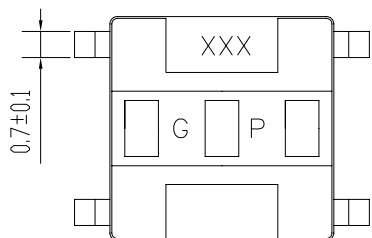


HAOYU



CIRCUIT DIAGRAM



P . C . B LAYOUT

H=XX mm

					TOLERANCE UNLESS SPECIFIED							
					UP TO 5mm: ±0.1	ANGULAR	A1	2023.2.17	更新图纸		WM	
					ABOVE 5mm: ±0.2	±1°	NO	DATE	REVISIONS		BY	APPD
1	TERMINAL	BRASS	1	Ag-PLATED				UNIT : MM	ROHS	DWN		
2	CASE	PA9T	1	BLACK	TITLE: TACT SWITCH			SCALE: 1:1	COMPLIANT	CHK'D		
3	CONTACT	SUS301	1	Ag-PLATED	MODEL: TC-00104-070C					APPD		
4	COVER	BRASS	1	Sn-PLATED	DONGGUANG HAOYU ELECTRONICS CO., LTD 东莞市弘皓电子有限公司							
5	KNOB	PA9T	1	BLACK								
NO.	PART NAME	MATERIAL	QTY	FINISHING				PRO.AGL:		REV :A1		