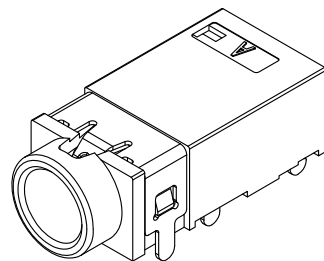
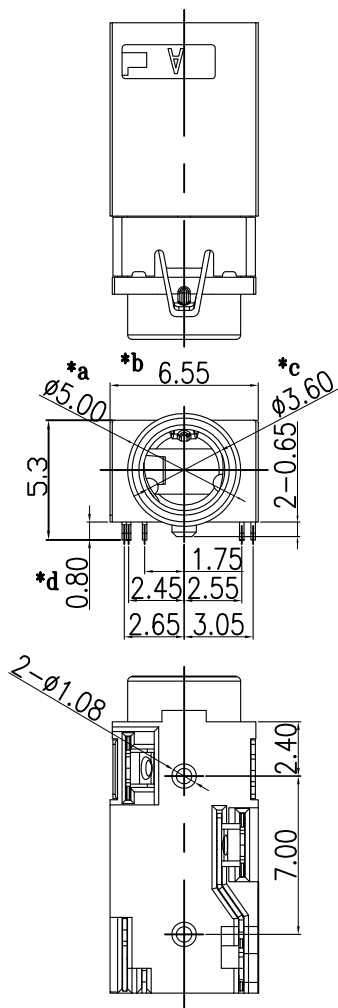
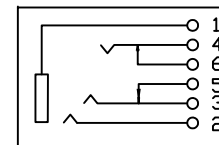
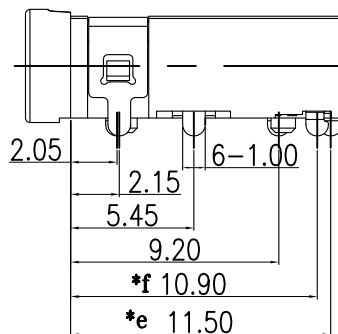


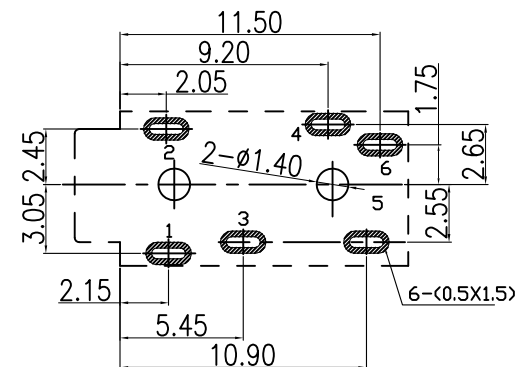
HAOYU



3D VIEW



SCHEMATIC



P.C.B LAYOUT
TOP VIEW

1. CONTACT CURRENT RATING: 1A.
2. CONTACT RESISTANCE: 100 mΩ MAX.;
3. INSULATION RESISTANCE: 100MΩ MIN.;
4. DIELECTRIC WITHSTANDING: 500V AC MIN.;
5. DURABILITY: 5,000 CYCLES MIN.;
6. CONNECTOR MATING FORCES: 29.4N MAX.;
7. CONNECTOR UNMATING FORCES: 2.94N MIN.;

NO.	PART NAME	MATERIAL	QTY	FINISHING	TOLERANCE UNLESS SPECIFIED		NO	DATE	REVISIONS		BY	APPD	
					UP TO 5mm: ±0.1	ANGULAR ±1°			1				
7	HOUSING	PA9T	1	BLACK									
6	TERMINAL 6#	BRASS	1	Ni/Au-Plating									
5	TERMINAL 5#	BRASS	1	Ni/Au-Plating									
4	TERMINAL 4#	SUS	1	Ni/Au-Plating									
3	TERMINAL 3#	PBS	1	Ni/Au-Plating									
2	TERMINAL 2#	PBS	1	Ni/Au-Plating									
1	TERMINAL 1#	PBS	1	Ni/Au-Plating									
					TITLE:PHONE JACK			UNIT : MM	ROHS COMPLIANT	DWN			
					MODEL: PJ-3106LE			SCALE: 1:1		CHK'D			
					HAOYU(HONGKONG)LIMITED 皓宇(香港)有限公司						APPD		
										PRO.AGL:		REV :A0	