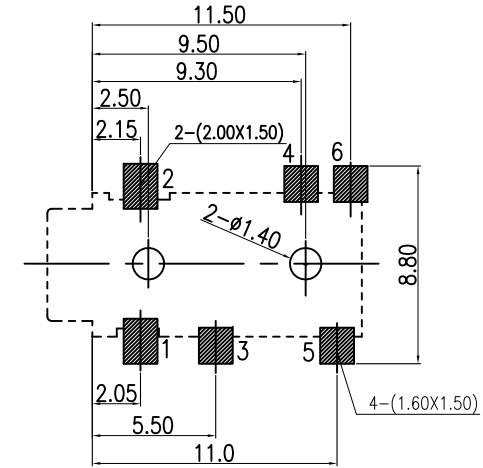
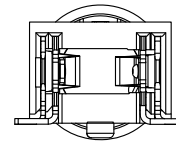
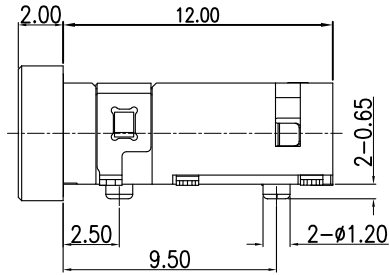
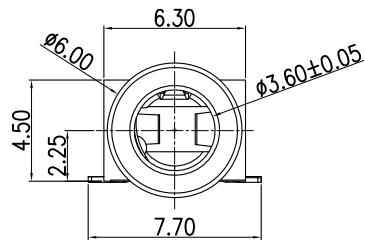
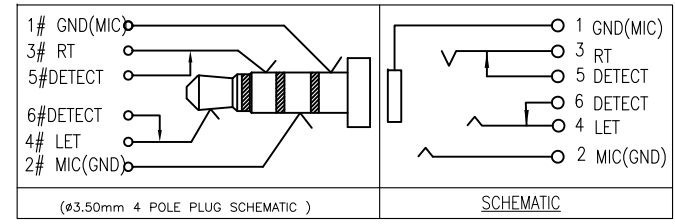
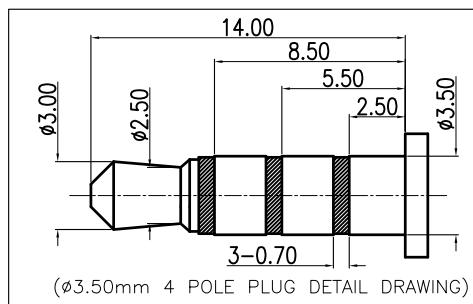
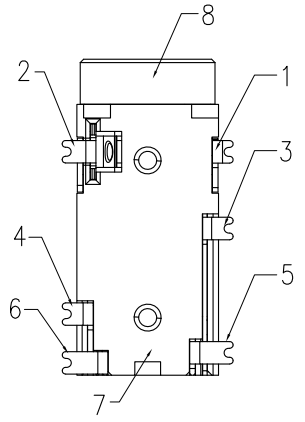



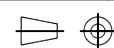
3D VIEW

1. CONTACT CURRENT RATING: 1A.
2. CONTACT RESISTANCE: 50 mΩ MAX.;
3. INSULATION RESISTANCE: 100MΩ MIN.;
4. DIELECTRIC WITHSTANDING: 500V AC MIN.;
5. DURABILITY: 5,000 CYCLES MIN.;
6. CONNECTOR MATING FORCES: 30N MAX.;
7. CONNECTOR UNMATING FORCES: 3N MIN.;



P.C.B LAYOUT



8	COVER	PHOSPHOR BRONZE	1	Ni-Plating	TOLERANCE							
7	HOUSING	PA9T	1	BLACK	UNLESS SPECIFIED							
6	TERMINAL 6#	PHOSPHOR BRONZE	1	Ni/Au-Plating	UP TO 5mm: ±0.1	ANGULAR						
5	TERMINAL 5#	PHOSPHOR BRONZE	1	Ni/Au-Plating	ABOVE 5mm: ±0.2	±1°						
4	TERMINAL 4#	PHOSPHOR BRONZE	1	Ni/Au-Plating	TITLE:PHONE JACK		UNIT : MM	ROHS	DWN			
3	TERMINAL 3#	PHOSPHOR BRONZE	1	Ni/Au-Plating	MODEL: PJ-3106AC1		SCALE: 1:1	COMPLIANT	CHK'D			
2	TERMINAL 2#	PHOSPHOR BRONZE	1	Ni/Au-Plating	 DONGGUANG HAOYU ELECTRONICS CO., LTD 东莞市弘皓电子有限公司		APPD					
1	TERMINAL 1#	PHOSPHOR BRONZE	1	Ni/Au-Plating			PRO.AGL: 					
NO.	PART NAME	MATERIAL	QTY	FINISHING								REV :AO