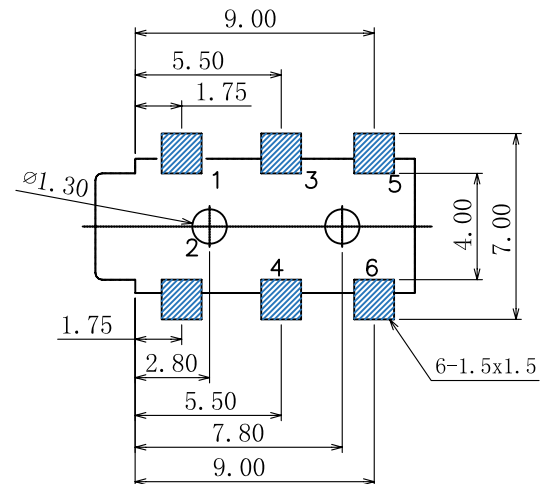
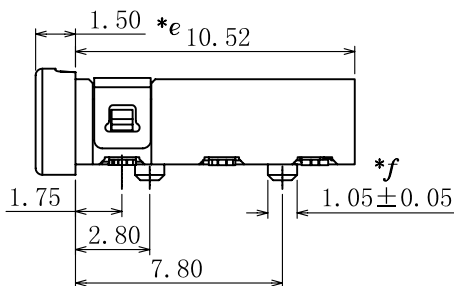
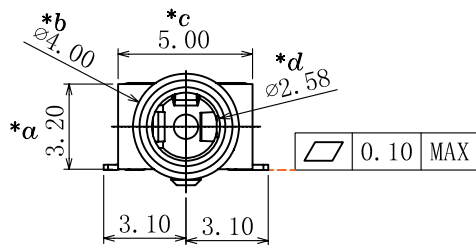
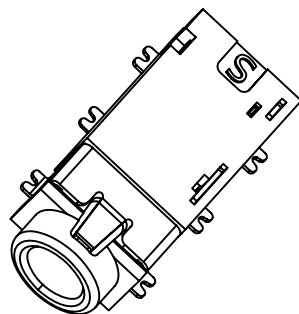
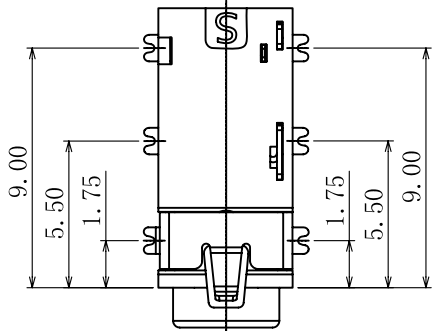
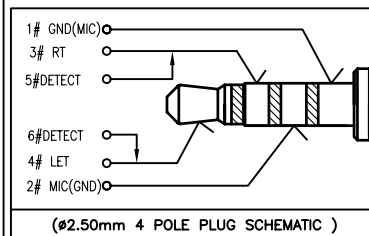
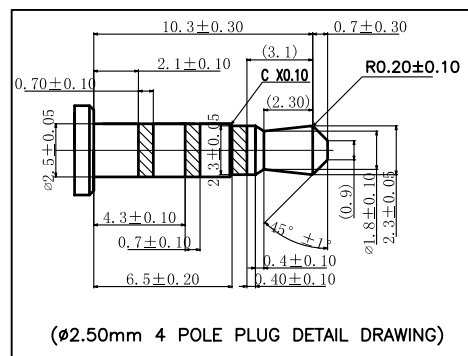
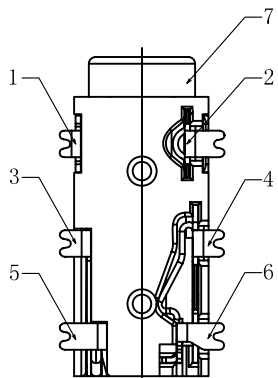


# HAOYU



PCB LAYOUT



PJ-242-X	PJ-242-1-X	PJ-242-2-X	PJ-242-3-X	PJ-242-4-X

NO.	PART	NAME	MATERIAL	QTY	FINISHING	TOLERANCE UNLESS SPECIFIED		DATE		REVISIONS		BY		APPD	
7	HOUSING	PA9T		1	BLACK	UP TO 5mm: ±0.1	ANGULAR	A1	2023.2.11	更新图纸			WM		
6	TERMINAL 6#	PHOSPHOR BRONZE		1	Ni/Au-Plated	ABOVE 5mm: ±0.2	±1°	NO							
5	TERMINAL 5#	PHOSPHOR BRONZE		1	Ni/Au-Plated			TITLE: PHONE JACK		UNIT : MM	ROHS	DWN			
4	TERMINAL 4#	SUS		1	Ni/Au-Plated			MODEL: PJ-242-X		SCALE: 1:1	COMPLIANT	CHK'D			
3	TERMINAL 3#	SUS		1	Ni/Au-Plated			DONGGUANG HAOYU ELECTRONICS CO., LTD				APPD			
2	TERMINAL 2#	PHOSPHOR BRONZE		1	Ni/Au-Plated			东莞市弘皓电子有限公司				PRO.AGL:		REV :A1	
1	TERMINAL 1#	PHOSPHOR BRONZE		1	Ni/Au-Plated										