

SPECIFICATION FOR APPROVAL

規 格 書

Customer (客戶名稱): _____

Customer P/N(客戶番號): _____

Our P/N (本廠番號): FS77W0850-H25.5

Approval Date(日期): 2020.6.18

Environment Request(環境標準):

Non-RoHS (非 RoHS 標準)

RoHS (RoHS 標準)

REACH (REACH 標準)

Others (其他)

CUSTOMER'S APPROVED SIGNATURE



泰州福聲電子科技有限公司

Taizhou Fusheng Electronic Technology Co.,Ltd.

Adds: No168 of FengHuang Road West,Hailing District ,Taizhou .

地址：江蘇省泰州市海陵區鳳凰西路98號

Tel: +86-523-86219066

Fax: +86-523- 81601108

[Http://www.tzfsdz.com](http://www.tzfsdz.com)

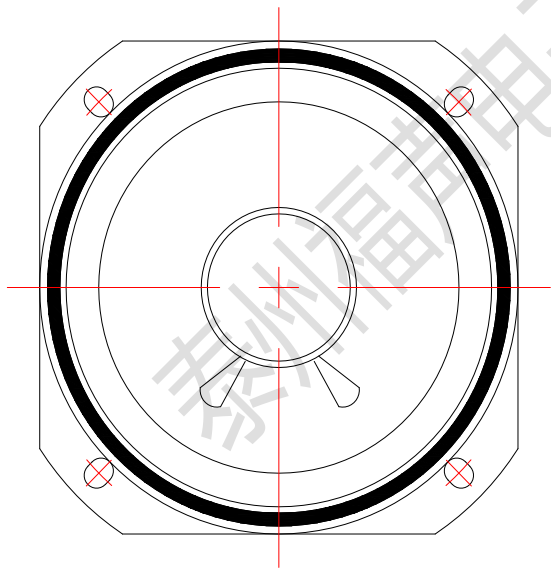
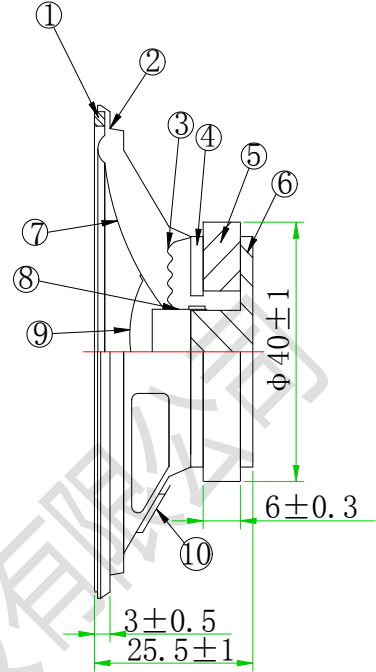
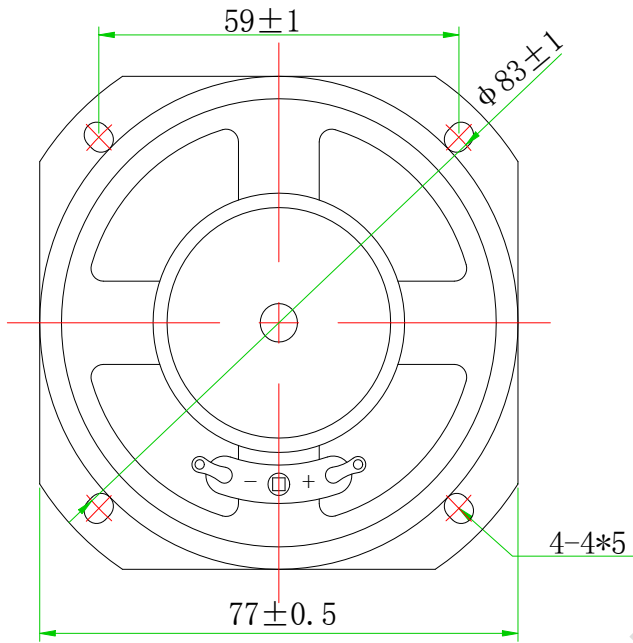
E-mail: sales@electronic-tech.cn

| | DESINGER | CHECKED | APPROVED |
|-----------|----------|---------|----------|
| SIGNATURE | | | |
| DATE | | | |

Speaker Specification

| Part No. | Customer No 顧客型號 | Customer code 顧客編號 | |
|----------|----------------------------------|--|---|
| | Our Part No 本廠編號 | FS77W0850-H25.5 | Revision 版本 |
| No. | Item 項目 | Specification 規格 | Testing Condition 測試條件 |
| 1. | Rated Imp 共稱阻抗 | 8ohm±15% | At 1kHz6.32Vrms |
| 2. | Resonance Freq 最低共振周波數 | 200Hz±20% | Without Baffle |
| 3. | Output S.P.L. 出力音壓 | 81±3dB | At 1m 1w 0.6,0.8,1.0,1.2KHz Average |
| 4. | Rated Power 定格入力 | at 5.0W | at 6.32 Vrms |
| 5. | Max Power 最大入力 | at 6.0W | at 6.93 Vrms |
| 6. | Frequency Range 實效頻寬 | FO----20kHz | |
| 7. | Operation 可靠性試驗 | Must Be Normal at Rated Frequency Range | Program Source 5W FO----10kHz |
| 8. | Buzzes & Rattles 異常音試驗 | Should not be audible buzz and rattle at Rated Frequency Range 無異常聲 | Sine Wave Between (正弦波入力) at 6.32 Vrms / FO----10kHz |
| 9. | T H D 失真 | ≤5% | |
| 10. | Magnet 磁鐵 | Ferrite | |
| 11. | Operating Temperature 動作溫度 | -30°C to +75°C | |
| 12. | Storage Temperature 儲存溫度 | -40°C to +85°C | |
| 13. | Weight 重量 | 88g±8% | |

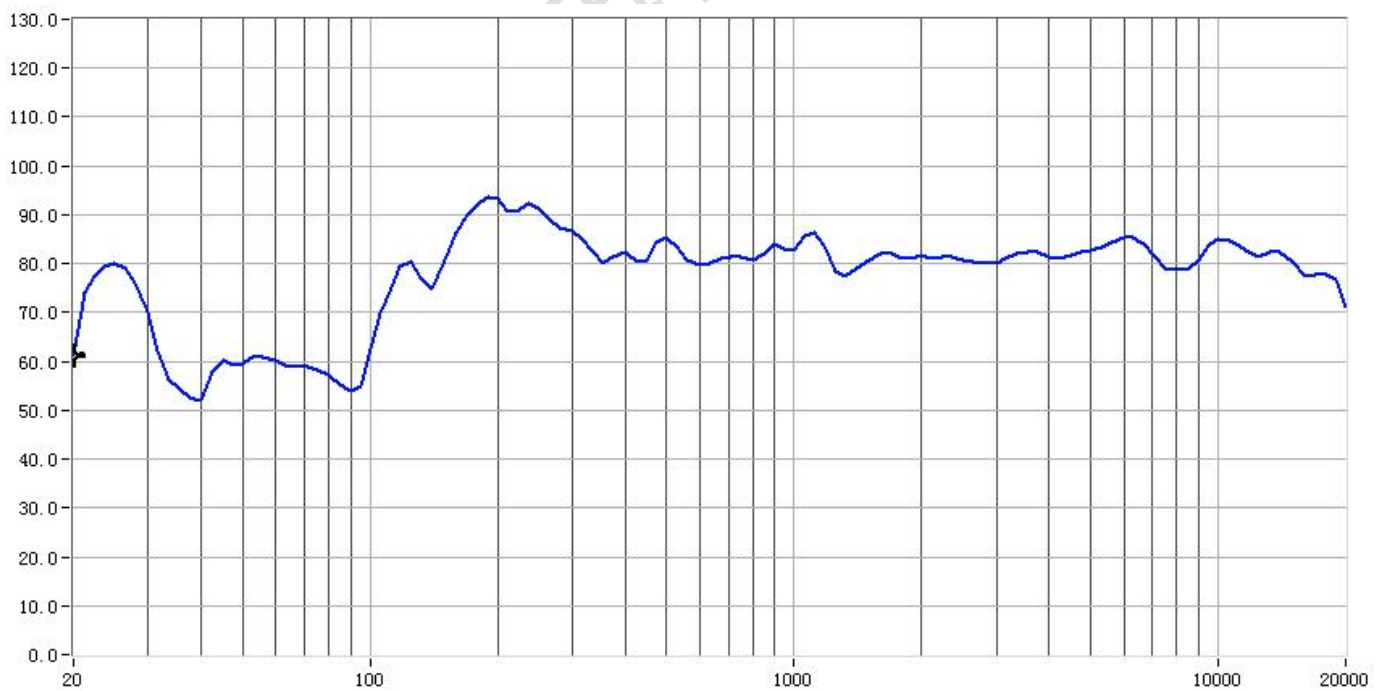
Product Outside View



产品图片Picture:



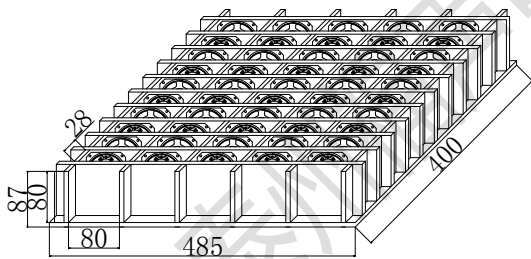
Frequency Response



Remark

| NO | 零件Component | 材质Material |
|----|---------------|-----------------|
| 1 | 压边 Gasket | 纸 Paper |
| 2 | 盆架 Frame | 冷轧钢板SPCC |
| 3 | 弹波 Damper | 布 Cloth |
| 4 | 华司Washer | 冷轧钢板SPCC |
| 5 | 磁铁 Magnet | 铁氧体 Ferrite |
| 6 | T铁 T-yoke | 冷轧钢板 SPCC |
| 7 | 鼓纸 Cone | 泡边纸盆 Foam+Paper |
| 8 | 音圈 Voice coil | 胶管 KSV+Cu |
| 9 | 帽子 Dust cap | 黑亮帽 PET |
| 10 | 接线板 Terminals | 纸板+铁Paper+Steel |

包装 Packing picture:



1. Each clapboard 50 pcs,
Each carton 2 clapboards,
100 pcs/carton
N.W: 8.8 KG, G.W:10.8 KG
2. Corrugated paper:485*400mm 1 pcs
3. Carton size:500*415*200mm 1 pcs

