

# SPECIFICATION FOR APPROVAL

## 規 格 書

Customer (客戶名稱): \_\_\_\_\_

Customer P/N(客戶番號): \_\_\_\_\_

Our P/N (本廠番號): FS66W08100-H35

Approval Date(日期): 2020.6.18

Environment Request(環境標準):

Non-RoHS (非 RoHS 標準)

RoHS (RoHS 標準)

REACH (REACH 標準)

Others (其他)

CUSTOMER'S APPROVED SIGNATURE



### 泰州福聲電子科技有限公司

Taizhou Fusheng Electronic Technology Co.,Ltd.

Adds: No168 of FengHuang Road West,Hailing District ,Taizhou .

地址：江蘇省泰州市海陵區鳳凰西路98號

Tel: +86-523-86219066

Fax: +86-523- 81601108

[Http://www.tzfsdz.com](http://www.tzfsdz.com)

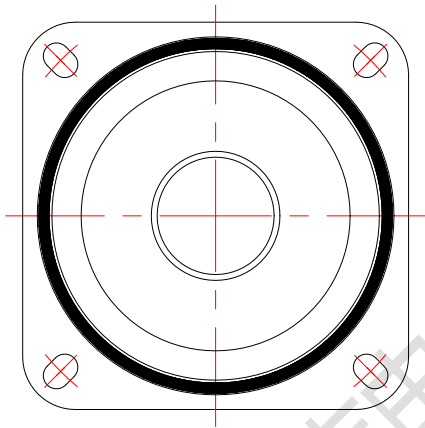
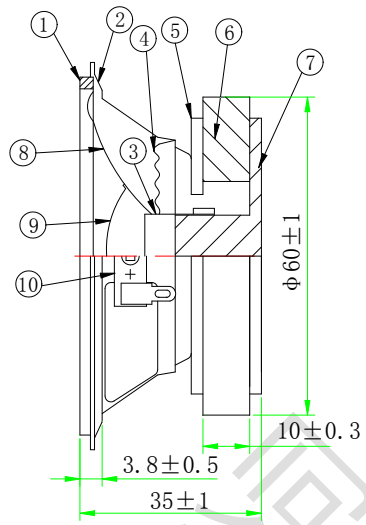
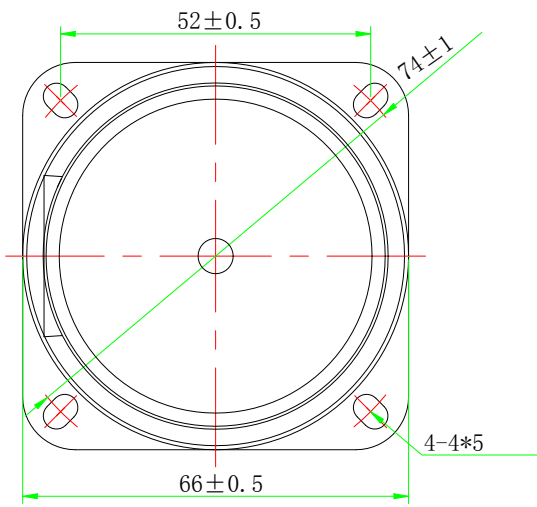
E-mail: [sales@electronic-tech.cn](mailto:sales@electronic-tech.cn)

	DESINGER	CHECKED	APPROVED
SIGNATURE			
DATE			

## Speaker Specification

Part No.	Customer No 顧客型號		Customer code 顧客編號	
	Our Part No 本廠編號	FS66W08100-H35		Revision 版本 B
No.	Item 項目	Specification 規格	Testing Condition 測試條件	
1.	Rated Imp 共稱阻抗	8ohm±15%	At 1kHz6.32Vrms	
2.	Resonance Freq 最低共振周波數	150Hz±20%	Without Baffle	
3.	Output S.P.L. 出力音壓	91±3dB	At 1m 1w 0.6,0.8,1.0,1.2KHz Average	
4.	Rated Power 定格入力	at 10.0W	at 6.32 Vrms	
5.	Max Power 最大入力	at 12.0W	at 6.93 Vrms	
6.	Frequency Range 實效頻寬	FO----20kHz		
7.	Operation 可靠性試驗	Must Be Normal at Rated Frequency Range	Program Source 10W FO ----- 10kHz	
8.	Buzzes & Rattles 異常音試驗	Should not be audible buzz and rattle at Rated Frequency Range 無異常聲	Sine Wave Between (正弦波入力) at 6.32 Vrms / FO---- 10kHz	
9.	T H D 失真	≤5%		
10.	Magnet 磁鐵	<b>Ferrite</b>		
11.	Operating Temperature 動作溫度	-30°C to +75°C		
12.	Storage Temperature 儲存溫度	-40°C to +85°C		
13.	Weight 重量	211g±8%		

# Product Outside View



泰州福声电子科技有限公司

产品图片Picture:



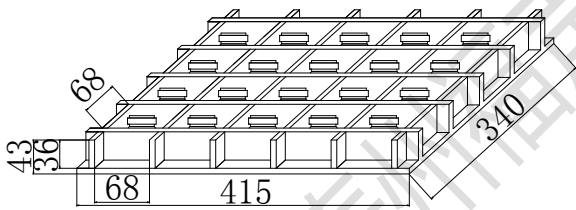
### Frequency Response



## Remark

NO	零件Component	材质Material
1	压边 Gasket	纸 Paper
2	盆架 Frame	冷轧钢板SPCC
3	音圈 Voice coil	胶管KSV+Cu
4	弹波 Damper	布 Cloth
5	华司Washer	冷轧钢板SPCC
6	磁铁 Magnet	铁氧体 Ferrite
7	T铁 T-yoke	冷轧钢板 SPCC
8	鼓纸 Cone	橡胶边纸盆 Rubber+Paper
9	帽子 Dust cap	黑亮帽PET
10	接线板 Terminals	纸板+铁Paper+steel

## 包装Packing picture:



1. Each clap board 20 pcs,  
Each carton 4 clapboards,  
60 pcs/carton  
N.W: 12.7 KG, G.W: 14.7 KG
2. Corrugated paper: 415\*340mm 1 PCS
3. Carton size: 430\*355\*155mm 1 PCS

