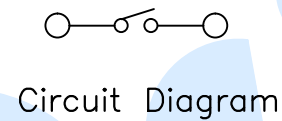
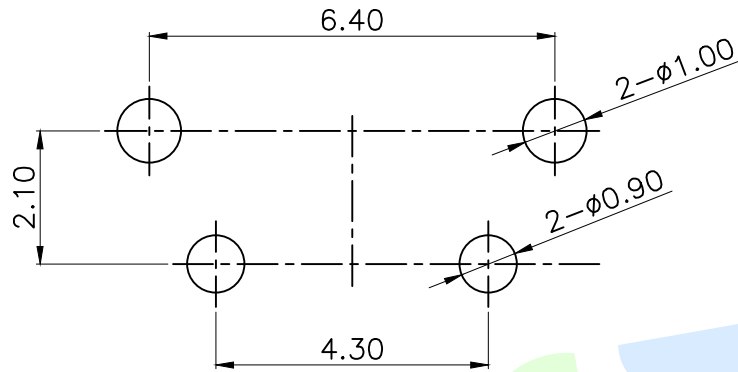
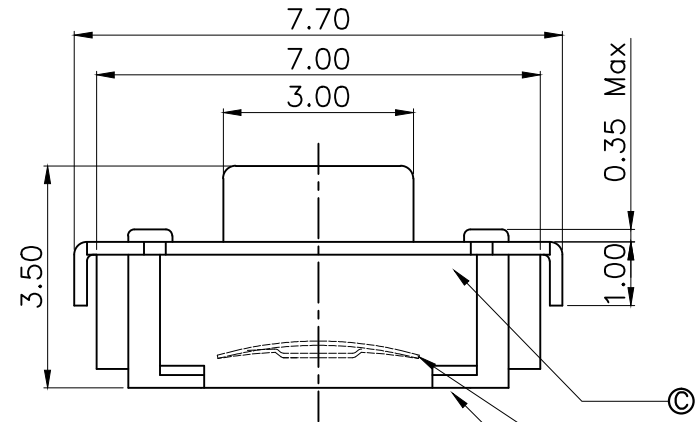
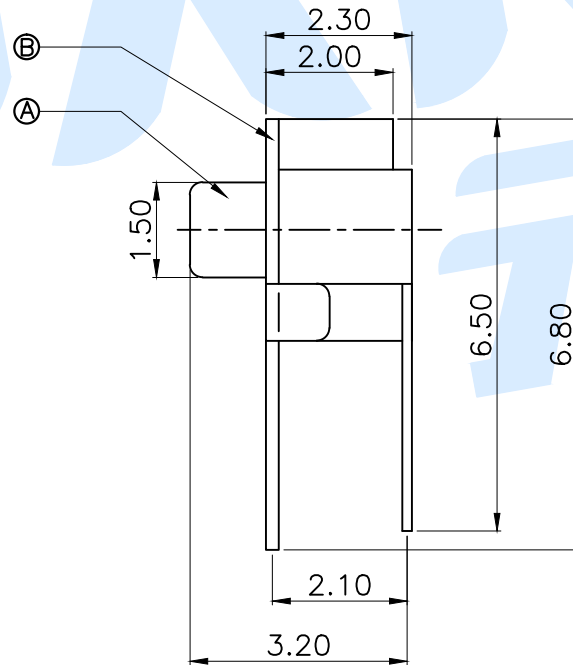
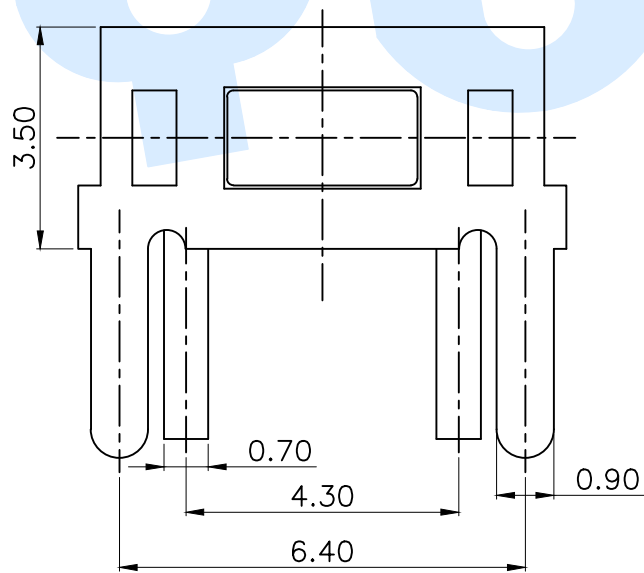


RoHS



PCB Layout recommended



SHRAPNEL	
CODE	MATERIAL/QTY
D2	SUS/1PCS

OPERATING FORCE	
CODE	VIGOR
B2	180±30gf
B3	250±30gf

Ⓔ	Terminal		2	Phosphor Bronze	Silvering
Ⓓ	Contact		1	SUS	Silver covered
Ⓒ	Base		1	LCP	Black
Ⓑ	Cover		1	Brass	Nickel Plating
Ⓐ	Knob		1	LCP	Black
NO.	Name	Number	Qty	Material	Remarks

YUANDI® Yuandi Electronics Co, Ltd

design	date	name	TACT SWITCHES
Review	date	model	TS-1087E-B□D□
Approved	date		

Drawing number: Proportion 1:1 unit mm gage number A4

modify Review Approved Tolerance not specified