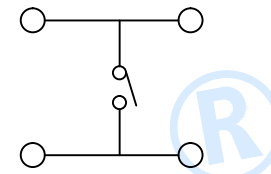
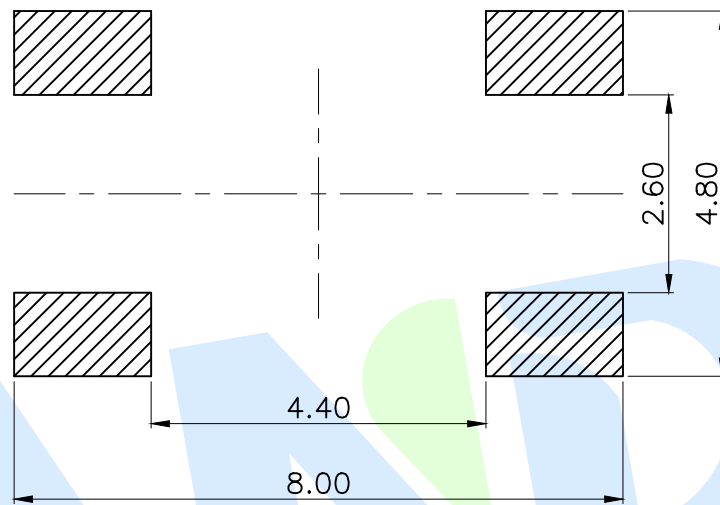
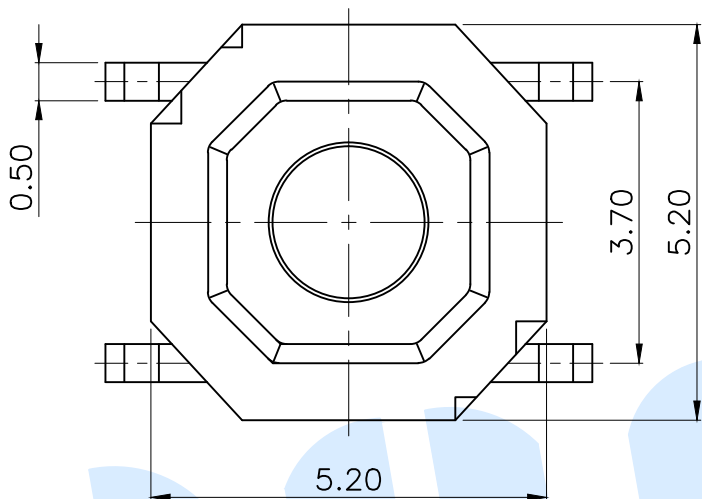


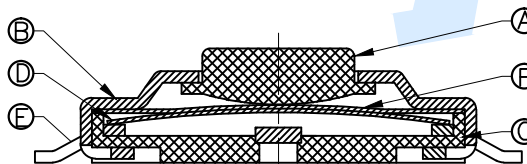
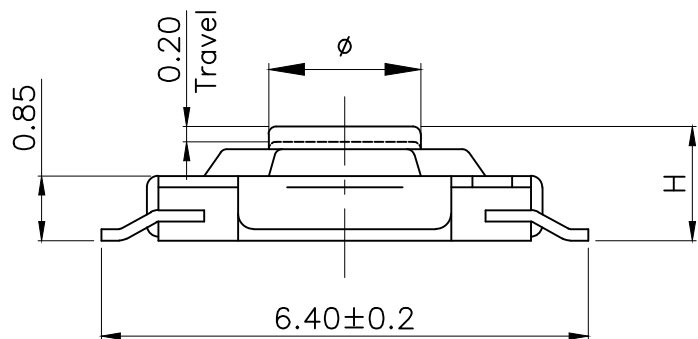
RoHS



Circuit Diagram

OPERATING FORCE	
CODE	VIGOR
B1	120±30gf
B2	180±30gf
B3	250±30gf
B4	300±30gf
B5	350±30gf

PCB Layout(Pattern side)



TOTAL HEIGHT					
CODE	H	φ	CODE	H	φ
A1	1.5	2.0	A9	3.0	2.0
A2	1.6	2.0	A10	3.5	2.0
A3	1.7	2.0	A11	3.7	2.0
A4	1.8	2.0	A12	4.0	2.0
A5	1.9	2.0	A13	4.3	2.0
A6	2.0	2.0	A14	4.5	2.0
A7	2.3	2.0	A15	5.0	2.0
A8	2.5	2.0			

Ⓕ	Dust film	1	Polyimide tape		
Ⓖ	Terminal	4	Brass Silvering		
Ⓓ	Reed	1	SUS Silver covered		
Ⓒ	Base	1	LCP Black		
Ⓑ	Cover	1	SUS Nickel plating		
Ⓐ	Button	1	Brass Yellow		
NO.	Name	Number	Qty	Materil	Remarks

YUANDI® Yuandi Electronics Co, Ltd

design	date	name	TACT SWITCHS
Review	date	model	TS-1076S-A□B□
Approved	date		

Drawing number: Proportion 1:1 unit mm gage number A4

modify Review Approved Tolerance not specified

angle	±2'
10~30	±0.30
5~10	±0.20
~ 5	±0.10