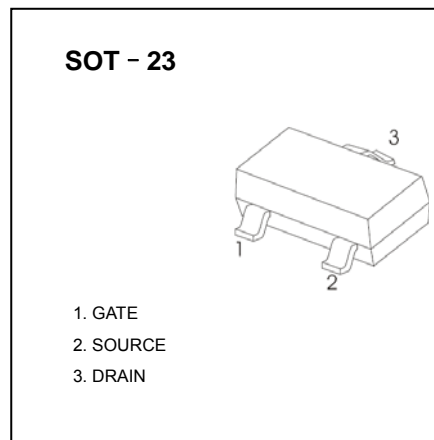


# SOT-23 Plastic-Encapsulate MOSFETS

UMW SI2302B N-Channel 20-V(D-S) MOSFET

$V_{(BR)DSS}$	$R_{DS(on)MAX}$	$I_D$
20V	80mΩ@4.5V	2.5A
	100mΩ@2.5V	



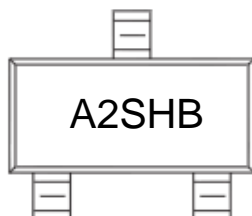
### FEATURE

- TrenchFET Power MOSFET

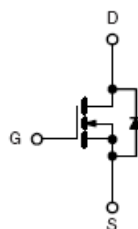
### APPLICATION

- Load Switch for Portable Devices
- DC/DC Converter

### MARKING



### Equivalent Circuit



Maximum ratings ( $T_a=25^{\circ}C$  unless otherwise noted)

Parameter	Symbol	Value	Unit
Drain-Source Voltage	$V_{DS}$	20	V
Gate-Source Voltage	$V_{GS}$	±8	
Continuous Drain Current	$I_D$	2.5	A
Continuous Source-Drain Current(Diode Conduction)	$I_S$	0.6	
Power Dissipation	$P_D$	0.4	W
Thermal Resistance from Junction to Ambient ( $t \leq 5s$ )	$R_{\theta JA}$	312.5	$^{\circ}C/W$
Operating Junction	$T_J$	150	$^{\circ}C$
Storage Temperature	$T_{STG}$	-55 ~ +150	

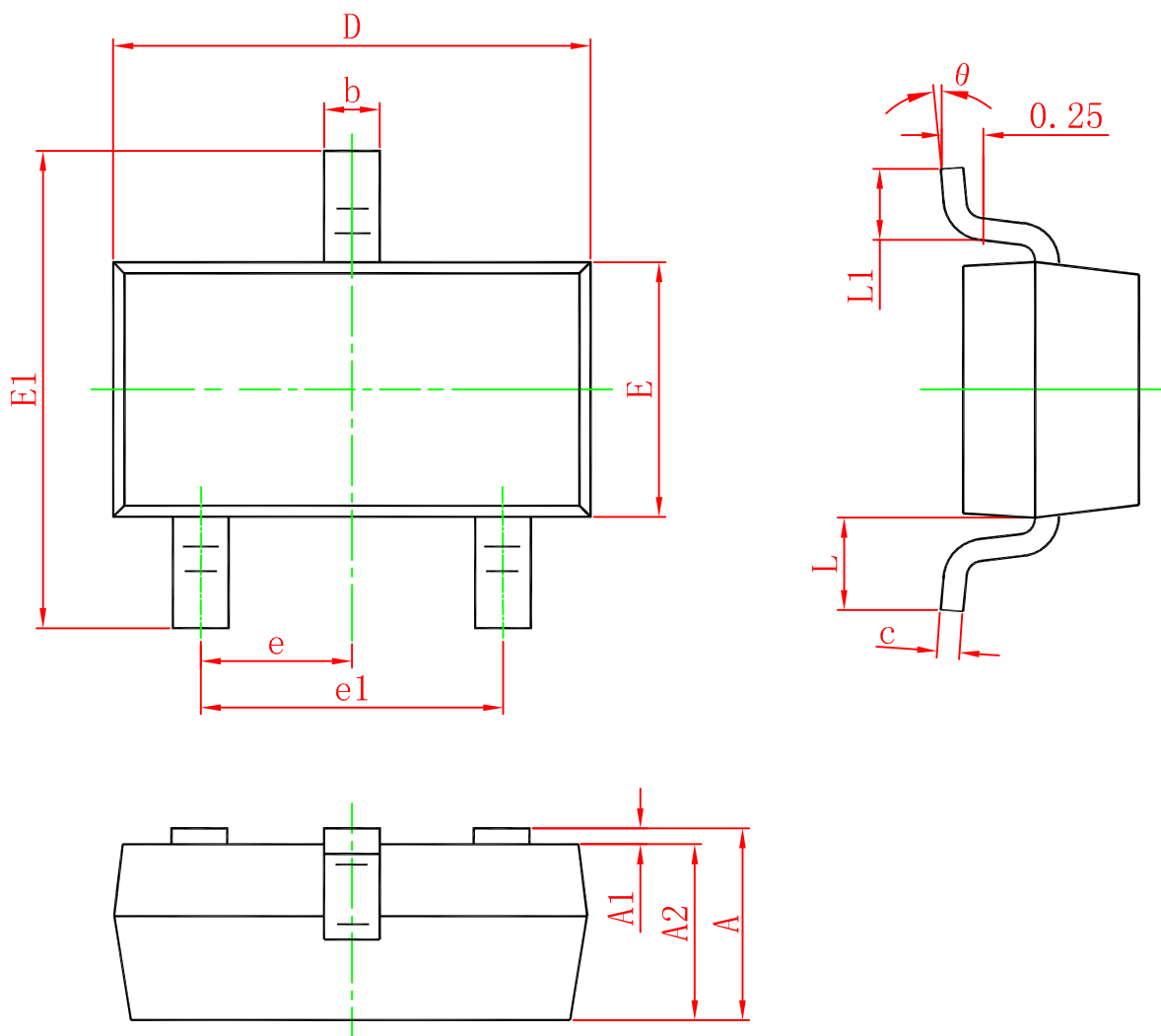
**T<sub>a</sub>=25 °C unless otherwise specified**

Parameter	Symbol	Test Condition	Min	Typ	Max	Units
<b>Static</b>						
Drain-source breakdown voltage	V <sub>(BR)DSS</sub>	V <sub>GS</sub> = 0V, I <sub>D</sub> = 10μA	20			V
Gate-threshold voltage	V <sub>GS(th)</sub>	V <sub>DS</sub> = V <sub>GS</sub> , I <sub>D</sub> = 50μA	0.65	0.95	1.2	
Gate-body leakage	I <sub>GSS</sub>	V <sub>DS</sub> = 0V, V <sub>GS</sub> = ±8V			±100	nA
Zero gate voltage drain current	I <sub>DSS</sub>	V <sub>DS</sub> = 20V, V <sub>GS</sub> = 0V			1	μA
Drain-source on-resistance <sup>a</sup>	r <sub>DS(on)</sub>	V <sub>GS</sub> = 4.5V, I <sub>D</sub> = 2.6A		0.045	0.070	Ω
		V <sub>GS</sub> = 2.5V, I <sub>D</sub> = 2.1A		0.060	0.100	
Forward transconductance <sup>a</sup>	g <sub>fs</sub>	V <sub>DS</sub> = 5V, I <sub>D</sub> = 3.6A		8		S
Diode forward voltage	V <sub>SD</sub>	I <sub>S</sub> = 0.94A, V <sub>GS</sub> = 0V		0.76	1.2	V
<b>Dynamic</b>						
Total gate charge	Q <sub>g</sub>	V <sub>DS</sub> = 10V, V <sub>GS</sub> = 4.5V, I <sub>D</sub> = 3.6A		4.0	10	nC
Gate-source charge	Q <sub>gs</sub>			0.65		
Gate-drain charge	Q <sub>gd</sub>			1.5		
Input capacitance <sup>b</sup>	C <sub>iss</sub>	V <sub>DS</sub> = 10V, V <sub>GS</sub> = 0V, f = 1MHz		300		pF
Output capacitance <sup>b</sup>	C <sub>oss</sub>			120		
Reverse transfer capacitance <sup>b</sup>	C <sub>rss</sub>			80		
<b>Switching<sup>b</sup></b>						
Turn-on delay time	t <sub>d(on)</sub>	V <sub>DD</sub> = 10V, R <sub>L</sub> = 5.5Ω, I <sub>D</sub> ≈ 3.6A, V <sub>GEN</sub> = 4.5V, R <sub>g</sub> = 6Ω		7	15	ns
Rise time	t <sub>r</sub>			55	80	
Turn-off delay time	t <sub>d(off)</sub>			16	60	
Fall time	t <sub>f</sub>			10	25	

**Notes :**

- Pulse Test : Pulse width ≤ 300μs, duty cycle ≤ 2%.
- These parameters have no way to verify.

SOT-23 PACKAGE OUTLINE DIMENSIONS



Symbol	Dimensions In Millimeters		Dimensions In Inches	
	Min.	Max.	Min.	Max.
A	0.900	1.150	0.035	0.045
A1	0.000	0.100	0.000	0.004
A2	0.900	1.050	0.035	0.041
b	0.300	0.500	0.012	0.020
c	0.080	0.150	0.003	0.006
D	2.800	3.000	0.110	0.118
E	1.200	1.400	0.047	0.055
E1	2.250	2.550	0.089	0.100
e	0.950 TYP.		0.037 TYP.	
e1	1.800	2.000	0.071	0.079
L	0.550 REF.		0.022 REF.	
L1	0.300	0.500	0.012	0.020
θ	0°	8°	0°	8°