

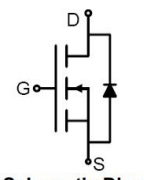


UMW 30N03A

30V N-Channel Power

<p>Mosfet</p> <p>General Description</p> <p>These N-channel enhancement mode power mosfets used advanced trench technology design, provided excellent Rdson and low gate charge. Which accords with the RoHS standard.</p> <p>Features</p> <ul style="list-style-type: none"> ● $V_{DS} = 30V, I_D = 90A$ ● $R_{DS(ON)}, 3.9 m\Omega (Typ) @ V_{GS} = 10V$ ● $R_{DS(ON)}, 6.5m\Omega (Typ) @ V_{GS} = 4.5V$ ● Low on resistance ● Low gate charge ● Fast switching ● Low reverse transfer capacitances <p>Application</p> <ul style="list-style-type: none"> ● DC-DC converters ● Synchronous Rectifier 	<div style="text-align: center;">  <p>TO-252(DPAK) top view</p>  <p>Marking and pin Assignment</p>  <p>Schematic Diagram</p> </div>
---	---

Package Marking and Ordering Information

Device Marking	Device	Device Package	Reel Size	Tape width	Quantity
UMW 30N03A	UMW 30N03A	TO-252	330mm	12mm	2500

Absolute Maximum Ratings(TA=25°C unless otherwise noted)

Parameter		Symbol	Value	Unit
Drain-Source Voltage		V_{DS}	30	V
Gate-Source Voltage		V_{GS}	±20	V
Drain Current-Continuous ^{Note3}	TC=25°C	I_D	90	A
	TC=100°C		63	A
Drain Current-Pulsed ^{Note1}		I_{DM}	200	A
Avalanche Energy ^{Note4}		E_{AS}	280	mJ
Avalanche Current		I_{AS}	33	A
Maximum Power Dissipation		P_D	105	W
Storage Temperature Range		T_{STG}	-55 to +150	°C
Operating Junction Temperature Range		T_J	-55 to +150	°C

Thermal Resistance

Parameter	Symbol	Min.	Typ.	Max	Unit
Thermal Resistance, Junction-to-Case	$R_{\theta JC}$	-	3.3	-	°C/W

Electrical Characteristics(T_J=25°C unless otherwise noted)

OFF CHARACTERISTICS						
Parameter	Symbol	Conditions	Min.	Typ.	Max.	Unit
Drain-Source Breakdown Voltage	BV _{DSS}	V _{GS} =0V, I _{DS} =250uA	30	-	-	V
Zero Gate Voltage Drain Current	I _{DSS}	V _{DS} =30V, V _{GS} =0V	-	-	1	uA
Gate-Body Leakage	I _{GSS}	V _{GS} =±20V, V _{DS} =0V	-	-	±100	nA

ON CHARACTERISTICS						
Parameter	Symbol	Conditions	Min.	Typ.	Max.	Unit
Gate Threshold Voltage	V _{GS(TH)}	V _{DS} =V _{GS} , I _{DS} =250uA	1.0	1.7	2.5	V
Drain-Source On-State Resistance	R _{DS(ON)}	V _{GS} =10V, I _{DS} =30A	-	3.9	5.0	mΩ
		V _{GS} =4.5V, I _{DS} =20A	-	6.5	8.0	

DYNAMIC CHARACTERISTICS						
Parameter	Symbol	Conditions	Min.	Typ.	Max.	Unit
Input Capacitance	C _{ISS}	V _{DS} = 15V, V _{GS} = 0V, f=1MHz	-	1963	-	pF
Output Capacitance	C _{OSS}		-	248	-	
Reverse Transfer Capacitance	C _{rss}		-	221	-	
Gate Resisistance	R _g	V _{DD} =0V, V _{GS} =1V, F=1MHz	-	1.43	-	Ω

SWITCHING CHARACTERISTICS						
Parameter	Symbol	Conditions	Min.	Typ.	Max.	Unit
Turn-On Delay Time	T _{d(on)}	V _{GS} =10V, V _{DS} =15V, R _{GEN} =3Ω I _D =20A	-	55	-	ns
Rise Time	t _r		-	36.4	-	
Turn-Off Delay Time	T _{d(off)}		-	37.5	-	
Fall Time	t _f		-	14	-	
Total Gate Charge at 10V	Q _g	V _{DS} =15V, I _{DS} =45A, V _{GS} =10V	-	41	-	nC
Gate to Source Gate Charge	Q _{gs}		-	6.4	-	
Gate to Drain "Miller" Charge	Q _{gd}		-	11	-	

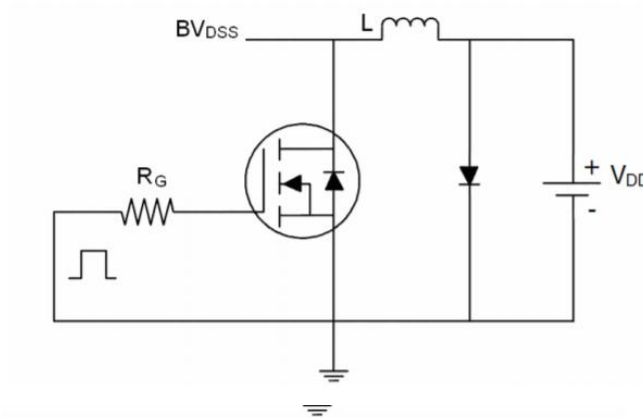
DRAIN-SOURCE DIODE CHARACTERISTICS AND MAXIMUM RATINGS						
Parameter	Symbol	Conditions	Min.	Typ.	Max.	Unit
Drain-Source Diode Forward Voltage	V _{SD}	V _{GS} =0V, I _{DS} =20A	-	-	1.2	V
Reverse Recovery Time	t _{rr}	T _J =25°C, I _F =20A	-	21.7	-	nS
Reverse Recovery Charge	Q _{rr}	di/dt=100A/us	-	7.2	-	nC

Notes:

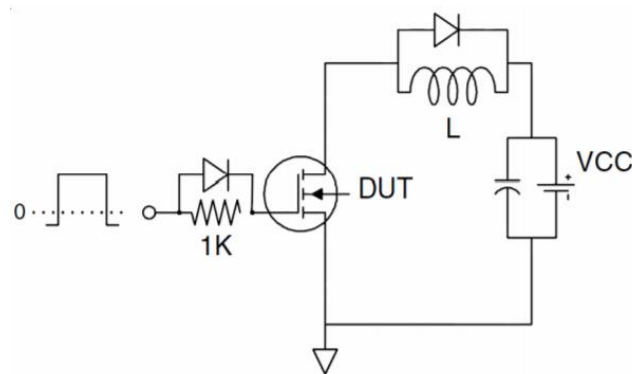
- 1: Repetitive rating, pulse width limited by maximum junction temperature.
- 2: Surface mounted on FR4 Board, t_s≤10sec.
- 3: Pulse width ≤ 300μs, duty cycle ≤ 2%.
- 4: EAS condition: L=0.5mH, V_{DD}=15V, V_G=10V, V_{GATE}=30V, Start T_J=25°C.

Test Circuit

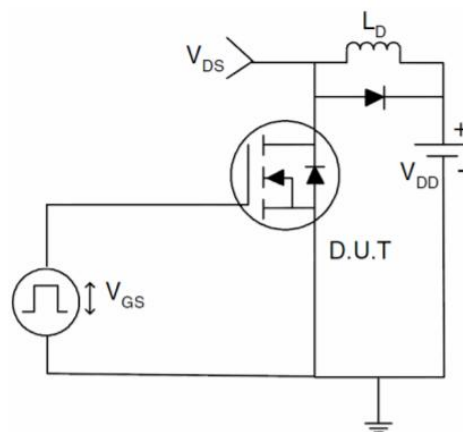
1) E_{AS} Test Circuit



2) Gate Charge Test Circuit



3) Switch Time Test Circuit



Typical Electrical and Thermal Characteristics (Curves)

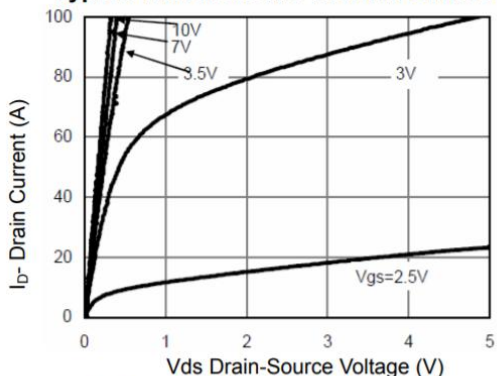


Figure 1 Output Characteristics

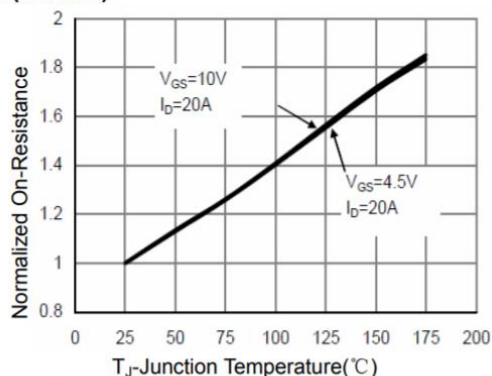


Figure 4 $R_{ds(on)}$ -Junction Temperature

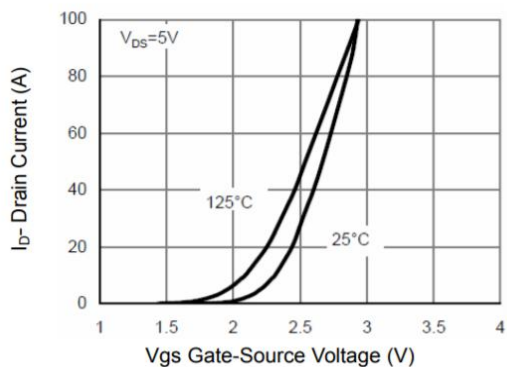


Figure 2 Transfer Characteristics

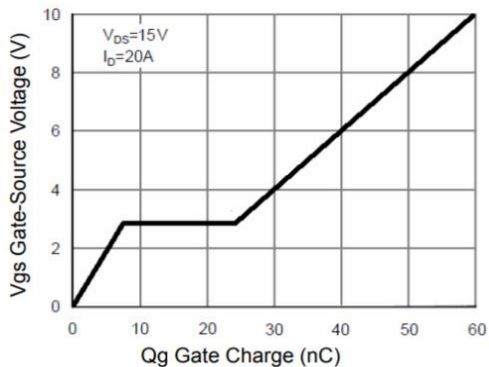


Figure 5 Gate Charge

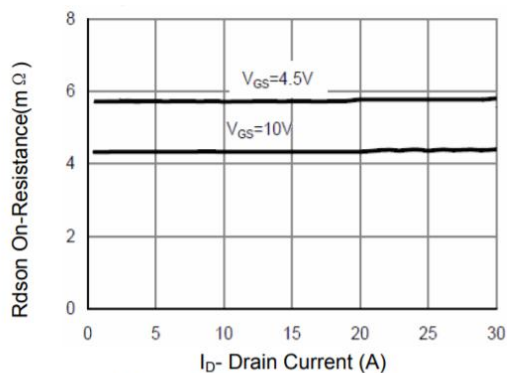


Figure 3 $R_{ds(on)}$ - Drain Current

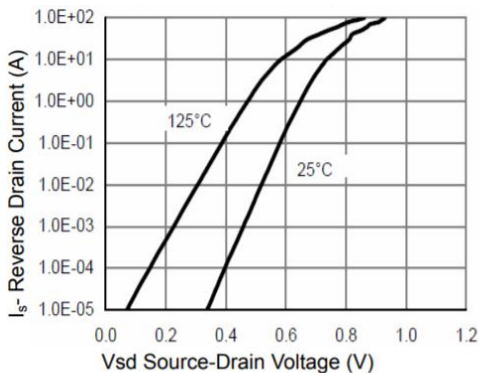
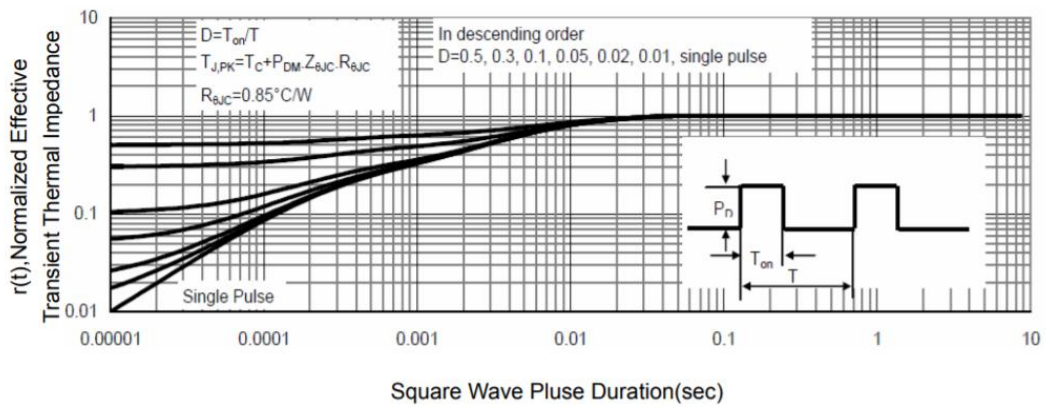
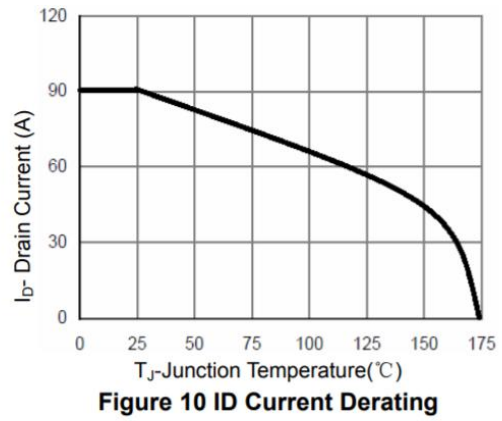
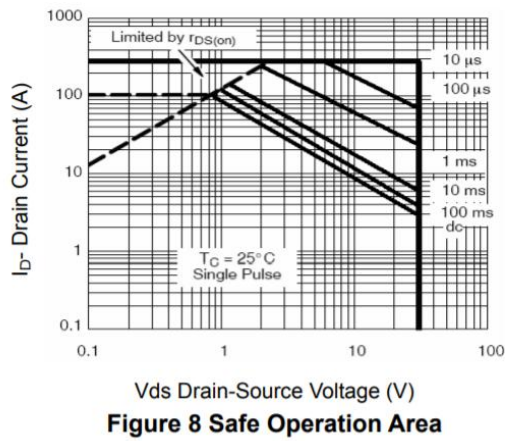
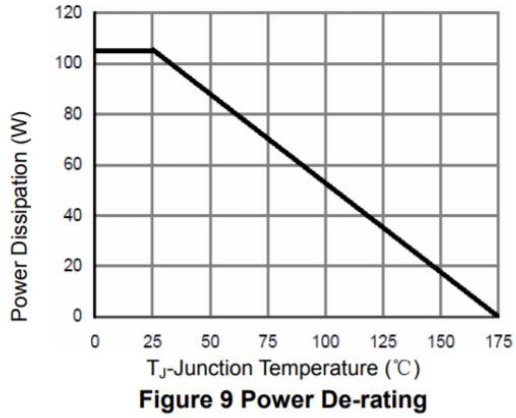
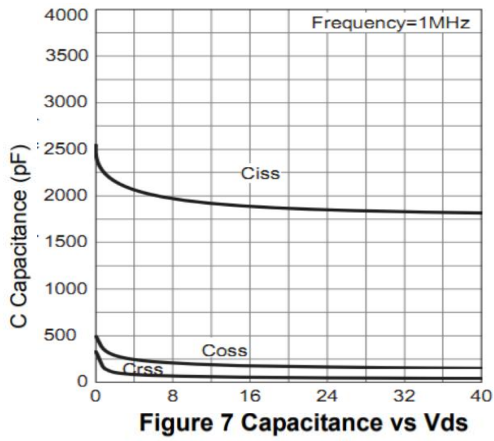
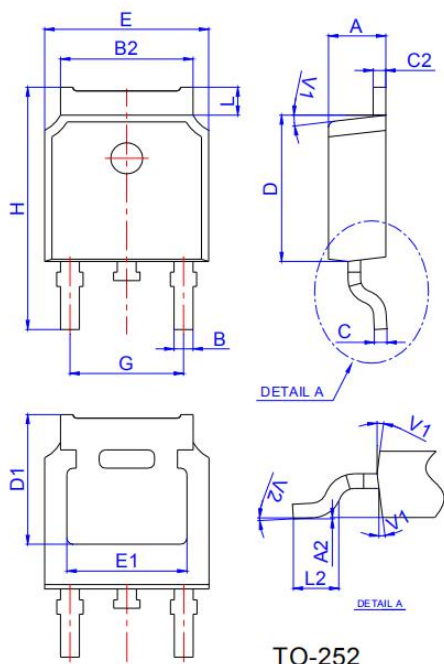


Figure 6 Source- Drain Diode Forward



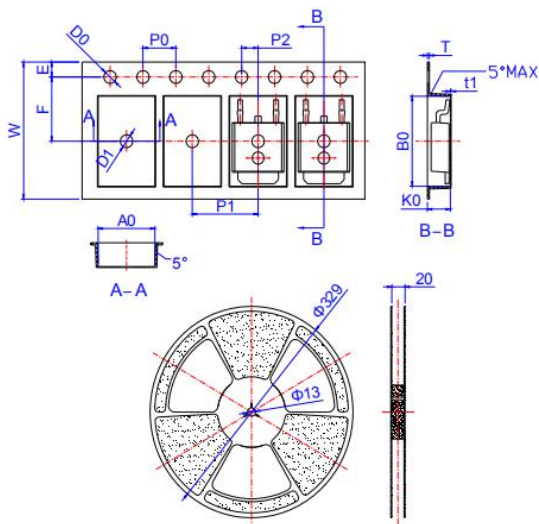
Package Mechanical Data



Ref.	Dimensions					
	Millimeters			Inches		
	Min.	Typ.	Max.	Min.	Typ.	Max.
A	2.10		2.50	0.083		0.098
A2	0		0.10	0		0.004
B	0.66		0.86	0.026		0.034
B2	5.18		5.48	0.202		0.216
C	0.40		0.60	0.016		0.024
C2	0.44		0.58	0.017		0.023
D	5.90		6.30	0.232		0.248
D1	5.30REF			0.209REF		
E	6.40		6.80	0.252		0.268
E1	4.63			0.182		
G	4.47		4.67	0.176		0.184
H	9.50		10.70	0.374		0.421
L	1.09		1.21	0.043		0.048
L2	1.35		1.65	0.053		0.065
V1		7°			7°	
V2	0°		6°	0°		6°

TO-252

Reel Specification-TO-252



Ref.	Dimensions					
	Millimeters			Inches		
	Min.	Typ.	Max.	Min.	Typ.	Max.
W	15.90	16.00	16.10	0.626	0.630	0.634
E	1.65	1.75	1.85	0.065	0.069	0.073
F	7.40	7.50	7.60	0.291	0.295	0.299
D0	1.40	1.50	1.60	0.055	0.059	0.063
D1	1.40	1.50	1.60	0.055	0.059	0.063
P0	3.90	4.00	4.10	0.154	0.157	0.161
P1	7.90	8.00	8.10	0.311	0.315	0.319
P2	1.90	2.00	2.10	0.075	0.079	0.083
A0	6.85	6.90	7.00	0.270	0.271	0.276
B0	10.45	10.50	10.60	0.411	0.413	0.417
K0	2.68	2.78	2.88	0.105	0.109	0.113
T	0.24		0.27	0.009		0.011
t1	0.10			0.004		
10P0	39.80	40.00	40.20	1.567	1.575	1.583

DWG NO: TO-252-01-A1	TITLE TO-252	SCALE	
		4:1	
SHEET	1 OF 1		