

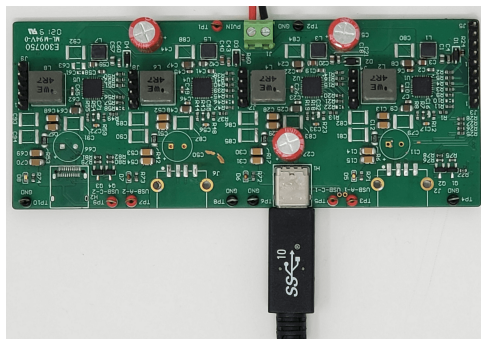
## USB Fast Charger Power IC with 40V Input Voltage, 4A, Programmable Output Voltage and Current

### FEATURES

- Certified USB **Fast Charger**, Reference Designs
- **Qualcomm® Certified**, Quick Charger Designs
- 4.5 V to 40 V Operational Input Voltage
- Programmable Output Voltage by I<sup>2</sup>C  
3 V to 24 V in 12.5 mV Step
- Programmable Output Current Limit  
4 A in 256 Step Resolution
- 450 kHz to 2.25 MHz Fixed-Frequency Current-Mode Control with External Clock Sync, 100% Duty Operation, Stable with Low-cost MLCC
- Out of AM Radio / Spread-Spectrum Operation
- 50 mΩ Integrated High-Side / Low-Side FETs
- 5 V / 350 mA Bias Buck Converter
- 20 mA AUX LDO, Programmable Output Voltage
- I<sup>2</sup>C Interface, Fast-mode Plus (Fm+, 1 MHz) with Configurable Address
- Protections:  
UVLO, OVP, UVP (Hiccup/Latch-off), OCP, TSD
- Thermally Enhanced 5 mm × 5 mm QFN Package

### APPLICATIONS

- **USB Fast Charger** (PD 3.0 PPS)
- **Quick Charge 4, Quick Charge 4+, Quick Charge 3.0**
- Industrial Power Supply
- Infrastructure Power Supply
- High Power LED Lighting



**ACT4751-101-REF03** (Test ID: 1100)  
USB Certified **Fast Charger** (USB PD 3.0 PPS)  
Reference Design: USB-C 80W × 1  
(based on family device ACT4751)

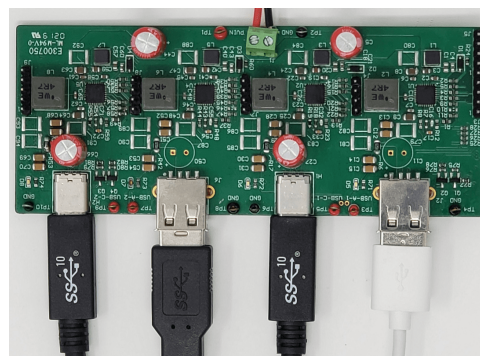
### GENERIC DESCRIPTION

The **ACT4752** is a programmable DC-to-DC buck converter with bias supply rails. This synchronous step-down voltage regulator supports a wide input voltage of 4.5 V to 40 V and integrates both the high side and low side MOSFETS. These 50mΩ R<sub>DS(ON)</sub> transistors enable high efficiency by reducing power losses.

The **ACT4752** main buck converter can be dynamically programmed to an output voltage between 3 V and 24 V in 12.5 mV steps via the I<sup>2</sup>C or analog feedback. Also, it can dynamically program output current between 0 A to 4 A in 256 steps via the I<sup>2</sup>C in a constant-current (CC) operation mode. The main-buck operates in a proprietary current mode control that supports external clock syncing for switching frequencies between 450 kHz and 2.25 MHz.

The **ACT4752** is a perfect solution for USB Power Delivery 3.0 Programmable Power Supply (PD 3.0 PPS) charging applications. The **ACT4752** integrates a 5 V / 350 mA mini-buck converter and a 20 mA AUX LDO to simplify application system designs. These rails can power up USB PD controllers and the 1.5W VCONN line in active USB-C cables.

The **ACT4752** is available in a 32-pin 5mm x 5mm QFN package with a power optimized footprint and exposed pad for improved thermal performance.



**ACT4751M-101-REF05** (QC20191223118)  
**4-Port** Total 280W: **Quick Charge 4** (USB-C 80W × 2)  
+ **Quick Charge 3.0** (Type-A 60W × 2)  
(based on family device ACT4751M)

**Ordering Information**

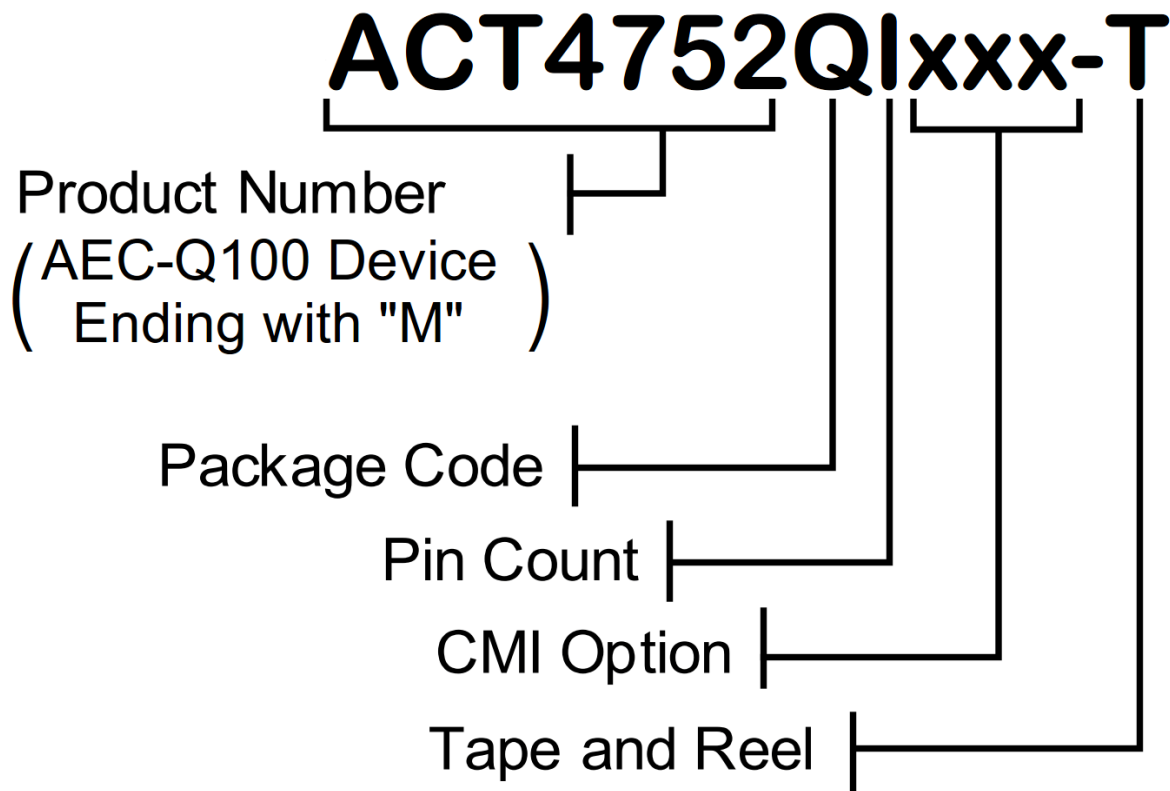


Figure 1. Part Numbering Structure

1. Standard product options are identified in this table. Contact factory for custom options, minimum order quantity required.
2. This device is RoHS Compliant and with Pb-free plating unless specified differently. The term Pb-free means semiconductor products that are in compliance with current RoHS (Restriction of Hazardous Substances) standards.
3. Package Code designator "Q" represents QFN
4. Pin Count designator "I" represents 32 pins
5. See the [Factory Programming Options](#) section for more information about CMI.

PART NUMBER	Control Scheme	AEC-Q100	User Programmable Parameter Default			DC-bias Compensation
			Output Voltage <sup>[1]</sup>	Precise Output Current Limit <sup>[2]</sup>	AUX LDO Voltage <sup>[3]</sup>	
ACT4752QI101	Current-mode	—	5.0 V	4 A	3.3 V	YES

Not all options are released, please contact your local sales representatives or [customer.support@qorvo.com](mailto:customer.support@qorvo.com) for a status and availability. Also, see [Factory Programming Options](#).

### Similar Devices

Following devices are similar to the ACT4752 device.

PART NUMBER	Control Scheme	AEC-Q100	User Programmable Parameter Default			DC-bias Compensation
			Output Voltage <sup>[1]</sup>	Precise Output Current Limit <sup>[2]</sup>	AUX LDO Voltage <sup>[3]</sup>	
ACT4751QI102	Current-mode	—	5.0 V	4 A	3.3 V	—
ACT4751MQI101	Current-mode	YES, Grade 1	5.0 V	4 A	3.3V	YES

PART NUMBER	Control Scheme	Factory Pre-Programmed Fixed Settings				DC-bias Compensation
		Output Voltage <sup>[1]</sup>	Output Current	Precise Output Current Limit <sup>[2]</sup>	AUX LDO Voltage <sup>[3]</sup>	
ACT4755QI101	Current-mode	12.0 V	4 A	—	—	YES
ACT4756QI101	Current-mode	24.0 V	4 A	4 A ±100 mA	3.3V	YES

Not all options are released, please contact your local sales representatives or [customer.support@qorvo.com](mailto:customer.support@qorvo.com) for a status and availability. Also, see [Factory Programming Options](#).

[1]: Upon requests, output voltage options are available [from 3.0 V to 24.0 V in 12.5mV steps](#), where a minimum required quantity applies.

[2]: Upon requests, precise output current limit options are available [from 1 A to 4 A in 15.6 mA steps](#), where a minimum required quantity applies.

[3]: Upon requests, AUX LDO voltage options are available [from 0.9 V to 4.05 V in 50 mV steps](#), where a minimum required quantity applies.

## Specifications

### Pin Configuration

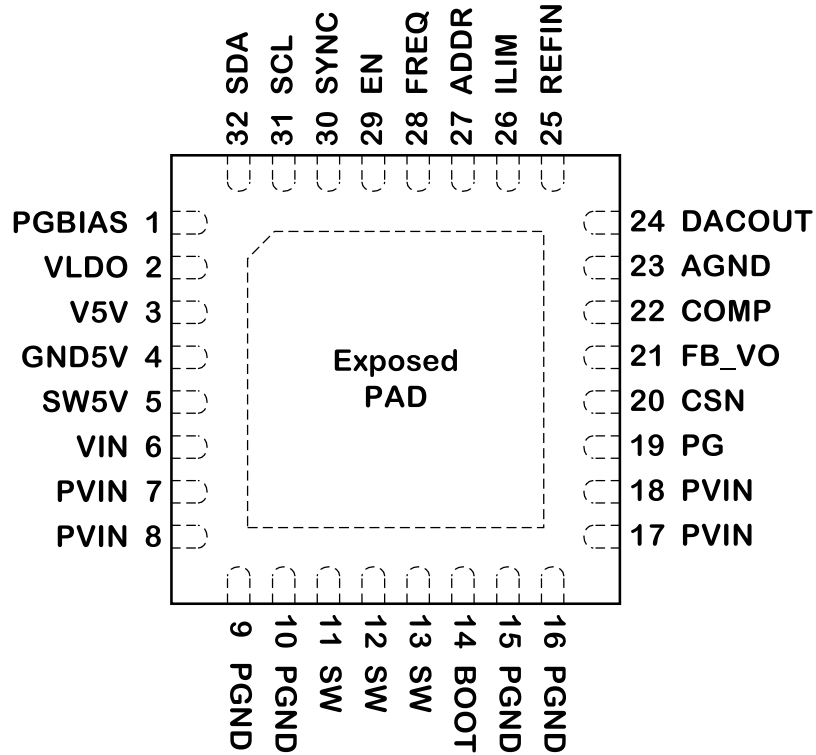


Figure 2. 32-pin QFN, 5 mm x5 mm, 0.5 mm pitch, TOP VIEW

### Pin Functions

PIN	NAME	DESCRIPTION
1	PGBIAS	Power-good output of the <a href="#">Mini-buck Regulator</a> and <a href="#">Auxiliary LDO</a> . Open-drain and a pull-up resistor required. See <a href="#">PGBIAS Indicator Output</a> .
2	VLDO	Output voltage node of the <a href="#">Auxiliary LDO</a> . Connect a good quality, fixed value 1 $\mu$ F capacitor between this pin and the GND5V pin. See <a href="#">Auxiliary LDO</a> .
3	V5V	5 V bias supply to the device and voltage feedback of the <a href="#">Mini-buck Regulator</a> . Connect two good quality capacitors in parallel, two 10 $\mu$ F and one 0.1 $\mu$ F between this pin and the GND5V pin. Place the 0.1 $\mu$ F capacitor with the minimum distance to the device.
4	GND5V	Ground node for the <a href="#">Mini-buck Regulator</a> .
5	SW5V	Switching node of the <a href="#">Mini-buck Regulator</a> .
6	VIN	Power supply to the device. Connect a good quality 1 $\mu$ F capacitor, at least, between this pin and the GND5V pin. On a PCB, tied to the PVIN pin.
7,8,17,18	PVIN	Power supply to the <a href="#">Main-buck Regulator</a> . Connect good quality two 22 $\mu$ F capacitors, at least, between this pin and the PGND pins, also tie to the VIN pin.
9,10,15,16	PGND	Ground node for the <a href="#">Main-buck Regulator</a> .
11,12,13	SW	Switching node of the <a href="#">Main-buck Regulator</a> .
14	BOOT	Bootstrap capacitor node for the <a href="#">Main-buck Regulator</a> . Connect a good quality, fixed value 0.1 $\mu$ F capacitor between this pin and the SW pin.
19	PG	Power-good output of the <a href="#">Main-buck Regulator</a> . Open-drain and a pull-up resistor required.
20	CSN	Current sense feedback input to the <a href="#">Main-buck Regulator</a> . See <a href="#">Output Current Sensing</a> .
21	FB_VO	Voltage feedback input to the <a href="#">Main-buck Regulator</a> . See <a href="#">Reference Voltage Input</a> .
22	COMP	Error amplifier output. Connect a compensation network between this pin and the AGND pin. See <a href="#">Main-buck Compensation Network</a> .
23	AGND	Ground node for analog blocks of the device.
24	DACOUT	Reference voltage output from the DAC. Usually, short to the REFIN pin. See <a href="#">Output Voltage Reference</a> .
25	REFIN	Reference voltage input to the <a href="#">Main-buck Regulator</a> . See <a href="#">Reference Voltage Input</a> .
26	ILIM	Output current limit programming of the <a href="#">Main-buck Regulator</a> . Connect a resistor between this pin and the AGND pin. See <a href="#">Output Current Reference</a> .
27	ADDR	I <sup>2</sup> C address selection. Connect a resistor between this pin and the ground. See <a href="#">I<sup>2</sup>C Address Selection</a> .
28	FREQ	Switching frequency programming of the <a href="#">Main-buck Regulator</a> . Connect a resistor between this pin and the AGND pin. See <a href="#">Clock Generator</a> .
29	EN	Enable logic input for the <a href="#">Main-buck Regulator</a> . See <a href="#">Main-buck Enable Control</a> .
30	SYNC	Clock synchronizing input/output for the <a href="#">Main-buck Regulator</a> . See <a href="#">Clock Synchronizer</a> .
31	SCL	Clock port of the <a href="#">I<sup>2</sup>C Interface</a> . Open-drain and a pull-up resistor required.
32	SDA	Data port of the <a href="#">I<sup>2</sup>C Interface</a> . Open-drain and a pull-up resistor required.
Exposed PAD		Substrate contact for power dissipation. Connect to the PGND pins with a broad pattern.

### Absolute Maximum Ratings

PARAMETER	VALUE	UNIT
PVIN, VIN	-0.3 to +48.0	V
SW	-0.3 to (PVIN + 1.0)	V
FB_VO, CSN	-0.3 to +28.0	V
Voltage difference between FB_VO and CSN	-0.3 to +0.3	V
SW5V	-0.3 to (VIN + 1.0)	V
BOOT	(V <sub>SW</sub> - 0.3) to (V <sub>SW</sub> + 6.0)	V
PGND, GND5V, w.r.t. AGND	-0.3 to +0.3	V
EN, PG, PGBIAS, SYNC, REFIN, SDA, SCL, COMP, V5V (external supply)	-0.3 to +6.0	V
Operation Junction Temperature ( T <sub>J</sub> )	-40 to +150	°C
Storage Temperature	-55 to +150	°C
Lead Temperature (Soldering 10sec)	up to +300	°C

Do not exceed these limits to prevent damage to the device. Exposure to absolute maximum rating conditions for long periods may affect device reliability.

All voltage values are with respect to the ground voltage unless otherwise specified.

### Recommended Operating Conditions

PARAMETER	VALUE	UNIT
PVIN, VIN	+4.2 to +40.0	V
V5V (External Supply)	+4.5 to +5.5	V
EN, PG, PGBIAS, SYNC, REFIN, SDA, SCL, COMP	-0.3 to +5.5	V
Operation Junction Temperature ( T <sub>J</sub> )	-40 to +125	°C
Current Sensing Resistor (R <sub>CS</sub> )	5 to 80	mΩ
Frequency Programming Resistor (R <sub>FREQ</sub> )	40 to 200	kΩ

All voltage values are with respect to the ground voltage unless otherwise specified.

### Package Thermal Information

PARAMETER	VALUE	UNIT
Thermal Resistance, Junction to Ambient (Θ <sub>JA</sub> ) <sup>[1]</sup>	24	°C/W

<sup>[1]</sup> Reference number, based on a real measurement of a [ACT4752](#) evaluation board.



# ACT4752

## USB Fast Charger Power IC with 40V Input Voltage, 4A, Programmable Output Voltage and Current

### Electrical Characteristics

PVIN = VIN = 12 V, V5V = 5 V (external supply), EN = 5 V, TA = 25°C, unless otherwise specified

PARAMETER	SYMBOL	TEST CONDITION	MIN	TYP	MAX	UNIT
<b>BIAS BLOCK</b>						
VIN Mini-buck Consumption Current	$I_{I(VIN)}$	EN = 0 V, V5V = 5.25 V, mini-buck ON and no switching		235		μA
V5V Quiescent Current	$I_{Q(V5V)}$	EN = 0 V, V5V = 5.25 V, mini-buck ON and no switching		1.3		mA
V5V Non-switching Current	$I_{I(V5V)}$	EN = 5 V, V5V = 5.25 V, main-buck ON and no switching		2.8		mA
VIN Under-voltage Lock-out Threshold	$V_{IT(UVLO)}$	VIN rising to release	4.25		4.5	V
	$V_{IT(UVLO,fall)}$	VIN falling to lock			4.1	
VIN Over-voltage Lock-out Threshold	$V_{IT(OVLO)}$	VIN rising to lock		42		V
	$V_{IT(OVLO,fall)}$	VIN falling to unlock		39		
V5V Regulation	$V_{O(V5V)}$	V5V error comparator threshold	4.8	5.0	5.2	V
V5V PG Threshold	$V_{IT(V5V)}$	V5V rising	4.25			V
V5V Under-voltage	$V_{UVP(V5V)}$	V5V falling	3.95		4.15	V
V5V Over-voltage	$V_{OVP(V5V)}$	V5V rising		5.9		V
VLDO Regulation	$V_{O(VLDO)}$	$I_{VLDO} = 10\text{mA}$ Reg0D[5:0] = 0x30	3.14	3.3	3.47	V
VLDO Under-voltage	$V_{UVP(VLDO)}$	Reg0D[5:0] = 0x30	2.9			V
PGBIAS Output Voltage	$V_{OL(PGBIAS)}$	PGBIAS at logic-L, 1 mA Current into PGBIAS pin			0.3	V
Mini-buck Over-current	$I_{OCP(V5V)}$		360			mA
VLDO Over-current	$I_{OCP(VLDO)}$		20			mA
Thermal Protection	$T_{SD(HARD)}$	Hard TSD, temperature rising		155		°C
	$T_{SD(SOFT)}$	Soft TSD, temperature rising		145		
	$T_{SD(OFF)}$	TSD release, temperature falling		135		
<b>SIGNAL PINS</b>						
Signal Pin Input Current	$I_{I(FB\_VO)}$	5 V target (DACOUT[10:0] = 0x190)		6		μA
	$I_{I(CSN)}$			6		μA
	$I_{I(SYNC)}$				1	μA
Signal Pin Output Current	$I_{O(ADDR)}$	$R_{ADDR} = 50\text{ k}\Omega$ while PGBIAS=L		20		μA
Signal Pin Output Voltage	$V_{O(FREQ)}$	$R_{FREQ} = 40\text{ k}\Omega$		1.2		V
EN Threshold	$V_{IT(EN)}$		1.15		1.25	V
EN Pin Pull-up Current	$I_{O(EN,rise)}$	$V_{EN} < V_{IT(EN)}$		1		μA
	$I_{O(EN,fall)}$	$V_{EN} > V_{IT(EN)}$		2		

PARAMETER	SYMBOL	TEST CONDITION	MIN	TYP	MAX	UNIT
SYNC Pin Input Threshold	$V_{IT(SYNC)}$	SYNC pin in slave	0.55		1.4	V
SYNC Pin Output Voltage	$V_{OH(SYNC)}$	SYNC pin in master, outputs logic-H	3.2		V5V	V
	$V_{OL(SYNC)}$	SYNC pin in master, outputs logic-L	0		0.8	
<b>I<sup>2</sup>C PINS</b>						
Input Threshold	$V_{IT(I^2C)}$	SDA and SCL pins	0.55		1.25	V
Leakage Current	$I_{LK(SDA)}$	$V_{SDA} = 5\text{ V}$			1	$\mu\text{A}$
Output Voltage	$V_{OL(SDA)}$	5 mA Current into SDA pin			0.35	V
Input Capacitance	$C_{I(I^2C)}$	SDA and SCL pins			10	pF
<b>MAIN-BUCK REGULATOR</b>						
DACOUT Accuracy	$V_{DACOUT(24)}$	24 V target ( $DACOUT[10:0] = 0x780$ ), 50 $\mu\text{A}$ current DACOUT sourcing	-0.5%	3.0	+0.5%	V
	$V_{DACOUT(5)}$	5 V target ( $DACOUT[10:0] = 0x190$ ), 50 $\mu\text{A}$ current DACOUT sourcing	-0.5%	0.625	+0.5%	
	$\Delta V_{DACOUT}$	$V_{DACOUT(n+1)} - V_{DACOUT(n)}$	0	1.5625		mV
FB_VO Accuracy	$V_O$	W.r.t. $V_{REFIN}$ , $V_{REFIN} = 3\text{ V}$	-1%	24	1%	V
Output Current Limit Programming Accuracy	$I_{LIM(100)}$	100% target ( $ILIM[7:0] = 0xFF$ )	98.5		101.5	$\mu\text{A}$
	$I_{LIM(25)}$	25% target ( $ILIM[7:0] = 0x3F$ )	24.25		25.75	
	$\Delta I_{LIM}$	$I_{LIM(n+1)} - I_{LIM(n)}$	0	0.4		
Constant Current Operation Programming Accuracy	$V_{CCMODE(100)}$	Differential voltage ( $V_{FB\_VO} - V_{CSN}$ ) at $V_{LIM} = 1.6\text{ V}$	78.5		81.5	mV
	$V_{CCMODE(25)}$	Differential voltage ( $V_{FB\_VO} - V_{CSN}$ ) at $V_{LIM} = 0.4\text{ V}$	19.3		20.7	
PG Output Voltage	$V_{OL(PG)}$	PG at logic-L, 1 mA Current into PG pin			0.3	V
PG Threshold Upper Limit <sup>[1]</sup>	$V_{IH(VO)}$	Threshold of <a href="#">Reg03[2]</a> , $VO\_FB$ w.r.t. $V_{REFIN}$ , $V_{REFIN} = 3\text{ V}$	+5%		+8%	
PG Threshold Lower Limit <sup>[1]</sup>	$V_{IL(VO)}$	Threshold of <a href="#">Reg03[2]</a> , $VO\_FB$ w.r.t. $V_{REFIN}$ , $V_{REFIN} = 3\text{ V}$	-8%		-5%	
FB_VO Over-voltage	$V_{OVP}$	$VO\_FB$ w.r.t. $V_{REFIN}$ , $V_{REFIN} = 3\text{ V}$	+8%			V
FB_VO Under-voltage <sup>[2]</sup>	$V_{UVP(CC)}$	<a href="#">Reg0B[3]</a> = logic-L, $VO\_FB$ w.r.t. $V_{REFIN}$ , $V_{REFIN} = 3\text{ V}$		2.7	2.76	V
	$V_{UVP(CV)}$	<a href="#">Reg0B[3]</a> = logic-H, $VO\_FB$ w.r.t. $V_{REFIN}$ , $V_{REFIN} = 3\text{ V}$			-8%	
FB_VO Constant Current Activation Threshold	$V_{IT(CC, rise)}$	Enable CC loop, <a href="#">Reg09[3]</a> = logic-H, $VO\_FB$ rising		2.3	2.5	V
	$V_{IT(CC, fall)}$	Disable CC loop, <a href="#">Reg09[3]</a> = logic-H, $VO\_FB$ falling		2.2		
Main-buck <a href="#">Cycle-by-cycle Current Limit</a>	$I_{OCP(CBC, high)}$	High-side FET limit to trigger	5.5			A
	$I_{OCP(CBC, low)}$	Low-side FET limit to release		4.2		





# ACT4752

## USB Fast Charger Power IC with 40V Input Voltage, 4A, Programmable Output Voltage and Current

PARAMETER	SYMBOL	TEST CONDITION	MIN	TYP	MAX	UNIT
Discharge Resistance	$R_{DIS}$			1.2		k $\Omega$

[1] See [Main-buck Power-Good](#) for details.

[2] See [Under-Voltage Protection](#) for details.

### Timing Requirements

PARAMETER	SYMBOL	CONDITION	MIN	TYP	MAX	UNIT
<b>I<sup>2</sup>C BLOCK</b>						
SCL Clock Frequency	$f_{SCL}$	(no internal time out)	0		1000	kHz
SCL Pulse Width	$t_{LOW(SCL)}$	Logic-L level	0.5			$\mu$ s
	$t_{HIGH(SCL)}$	Logic-H level	0.26			
SDA Set-up Time	$t_{SU(SDA)}$		50			ns
SDA Hold Time	$t_{H(SDA)}$		0			ns
START Set-up Time	$t_{SU(START)}$		260			ns
STOP Set-up Time	$t_{SU(STOP)}$		260			ns
<b>EN pin INPUT</b>						
EN Pulse Width	$t_{LOW(EN)}$	Logic-L level	30			$\mu$ s
<b>SYNC pin INPUT</b>						
SYNC Frequency Range	$f_{SYNC}$	$20k\Omega < R_{ADDR} < 50k\Omega$	400		2500	kHz
SYNC Frequency Accuracy		$20k\Omega < R_{ADDR} < 50k\Omega$ , referring to the frequency setpoint by $R_{FREQ}$	75%		125%	
SYNC Input Duty	$D_{IN(SYNC)}$	$20k\Omega < R_{ADDR} < 50k\Omega$	40%		60%	

### Switching Characteristics

$PV_{IN} = V_{IN} = 12\text{ V}$ ,  $V5V = 5\text{ V}$  (external supply),  $EN = 5\text{ V}$ ,  $T_A = 25^\circ\text{C}$ , unless otherwise specified

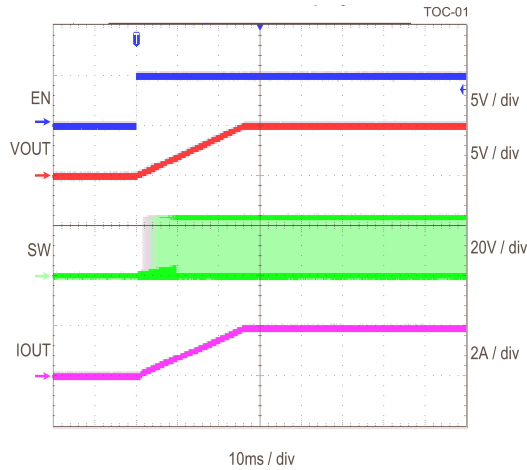
PARAMETER	SYMBOL	TEST CONDITION	MIN	TYP	MAX	UNIT
<b>BIAS BLOCK</b>						
Mini-Buck Switching Frequency	$f_{SW(V5V)}$		2.0			MHz
Mini-Buck Spread-Spectrum Dithering Range <sup>[1]</sup>	$f_{SPSP(V5V)}$	Frequency modulation range w.r.t. $f_{SW(V5V)}$ value		$\pm 7\%$		
Mini-Buck Spread-Spectrum Cycle	$N_{SPSP(V5V)}$	Number of $T_{ON}$ cycles		32		cycle
Mini-Buck Soft-Start Time	$t_{SS(V5V)}$	" $V_{IN} = V_{IT(UVLO)}$ " to " $V5V = V_{IT(V5V)}$ "		0.5		ms
Mini-Buck UVP Mask Timer	$t_{D(V5V,mask)}$			1		ms
Wait Timer before Error Reset	$t_{D(RESET)}$			100		ms

PARAMETER	SYMBOL	TEST CONDITION	MIN	TYP	MAX	UNIT
PGBIAS Delay	$t_{D(PGBIAS)}$	"V5V = $V_{IT(V5V)}$ " to PGBIAS $\uparrow$ , target 3 ms (Reg08[4:3] = 11)	-10%	3	10%	ms
AUX LDO Soft-Start Time <sup>[2]</sup>	$t_{SS(LDO)}$	Just for reference, Reg0D[5:0] = 0x31		100		$\mu$ s
<b>I<sup>2</sup>C BLOCK</b>						
SDA Fall Time	$t_{F(SDA)}$	Pull-up to 5-V source via 10 k $\Omega$			120	ns
<b>MAIN-BUCK REGULATOR</b>						
Main-Buck Switching Frequency	$f_{SW(MAIN)(min)}$	R <sub>FREQ</sub> = 200 k $\Omega$	400	450	500	kHz
	$f_{SW(MAIN)(max)}$	R <sub>FREQ</sub> = 40 k $\Omega$	2.0	2.25	2.5	MHz
SYNC Output Duty Cycle	D <sub>OUT(SYNC)</sub>			50%		
SYNC Input WDT Error Detection	$\Delta f_{SYNC(low)}$	20k $\Omega$ < R <sub>ADDR</sub> < 50k $\Omega$ , referring to the frequency setpoint by R <sub>FREQ</sub>			40%	
	$\Delta f_{SYNC(high)}$		210%			
Main-Buck Spread-Spectrum Dithering Range <sup>[1]</sup>	$f_{SPSP(MAIN)}$	Frequency modulation range w.r.t. $f_{SW(MAIN)}$		$\pm 7\%$		
Main-Buck Spread-Spectrum Cycle	N <sub>SPSP(MAIN)</sub>	Number of T <sub>ON</sub> cycles		64		cycle
ON Time Control	$t_{ON(min)}$			65	80	ns
OFF Time Control	$t_{OFF(min)}$			65	80	ns
Main-Buck Digital Servo Clock Period	$t_{W(SERVO)}$			8		$\mu$ s
Hiccup Timer	$t_{W(HICCUP)}$			100		ms
PG Delay	$t_{D(PG)(min)}$	FB_VO > V <sub>IL(VO)</sub> , 0 ms target (Reg08[7:6] = 00)			10	$\mu$ s
	$t_{D(PG)(max)}$	FB_VO > V <sub>IL(VO)</sub> , 4 ms target (Reg08[7:6] = 11)	-10%	4	10%	ms

<sup>[1]</sup> No production test

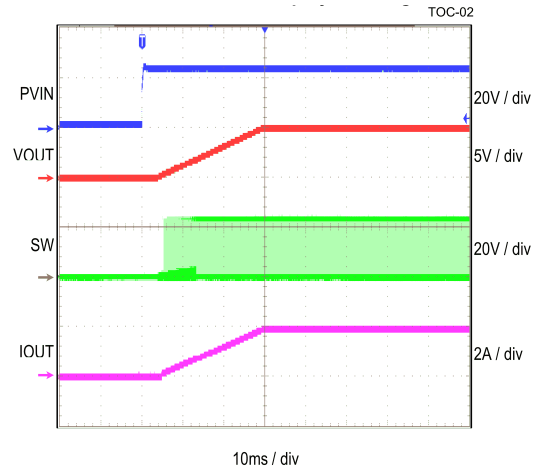
<sup>[2]</sup> Not actively controlled, application board dependent

## Typical Characteristic Curves



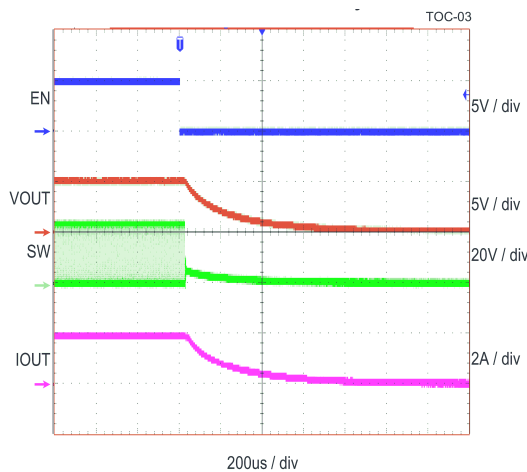
**Figure 3. Main-buck Startup by EN**

$V_{PVIN} = 24\text{ V}$ ,  $V_{FB\_VO} = 5\text{ V}$  (target),  $I_{OUT} = 2\text{ A}$



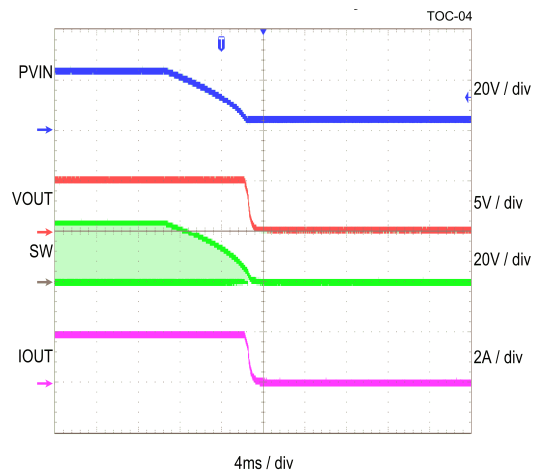
**Figure 4. Main-buck Startup by PVIN Hot-plug**

$V_{PVIN} = 24\text{ V}$ ,  $V_{FB\_VO} = 5\text{ V}$  (target),  $I_{OUT} = 2\text{ A}$



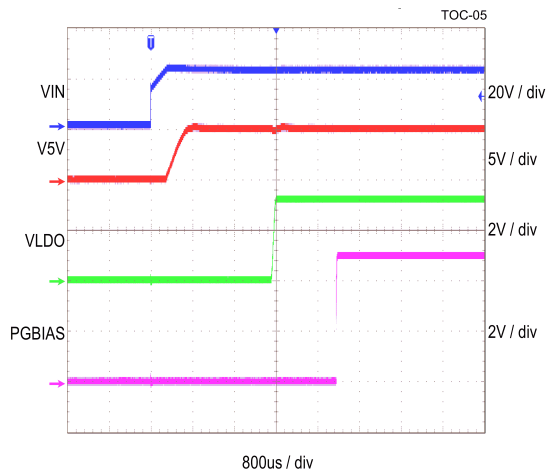
**Figure 5. Main-buck Shutdown by EN**

$V_{PVIN} = 24\text{ V}$ ,  $V_{FB\_VO} = 5\text{ V}$  (target),  $I_{OUT} = 2\text{ A}$



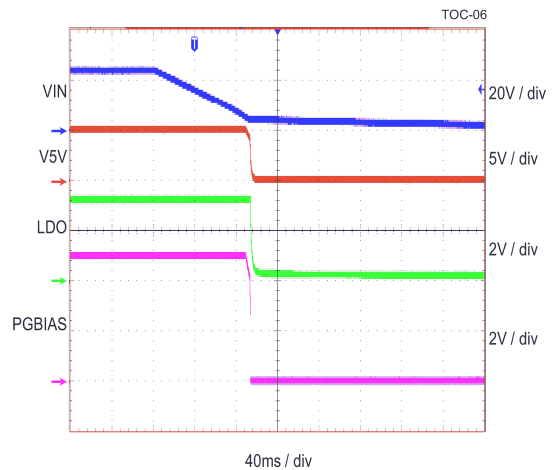
**Figure 6. Main-buck Shutdown by PVIN Plug-out**

$V_{PVIN} = 24\text{ V}$ ,  $V_{FB\_VO} = 5\text{ V}$  (target),  $I_{OUT} = 2\text{ A}$



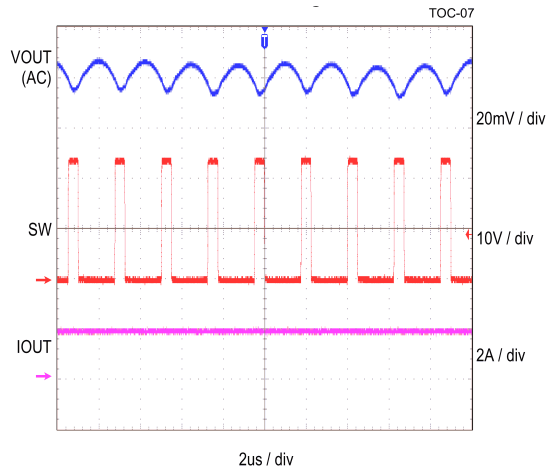
**Figure 7. Mini-buck Startup**

$V_{IN} = 24\text{ V}$ ,  $I_{OUT} = (\text{no load})$



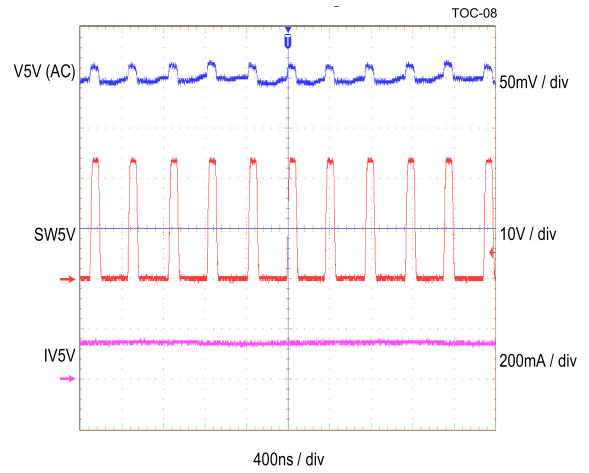
**Figure 8. Mini-buck Shutdown**

$V_{IN} = 24\text{ V}$ ,  $I_{OUT} = (60\ \Omega\ \text{load})$



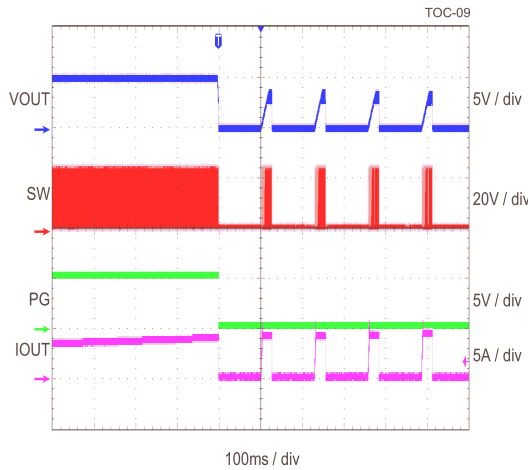
**Figure 9. Main-buck Switching Waveform**

$V_{PVIN} = 24\text{ V}$ ,  $V_{FB\_VO} = 5\text{ V}$  (target),  $I_{OUT} = 2\text{ A}$



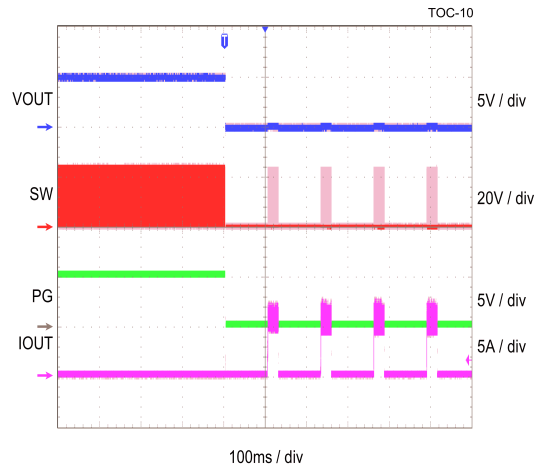
**Figure 10. Mini-buck Switching Waveform**

$V_{IN} = 24\text{ V}$ ,  $I_{OUT} = 150\text{ mA}$



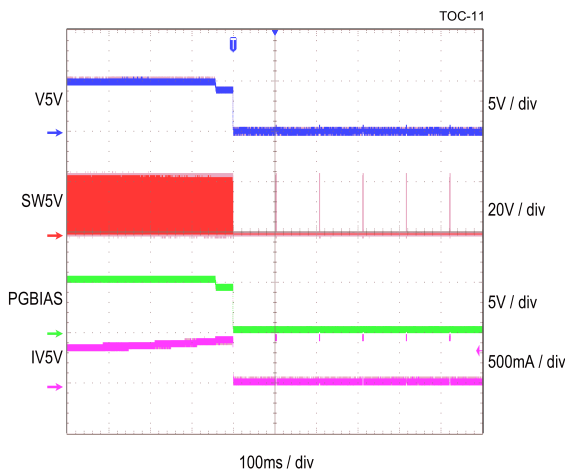
**Figure 11. Main-buck Over Current Protection**

$V_{PVIN} = 24\text{ V}$ ,  $V_{FB\_VO} = 5\text{ V}$  (target)



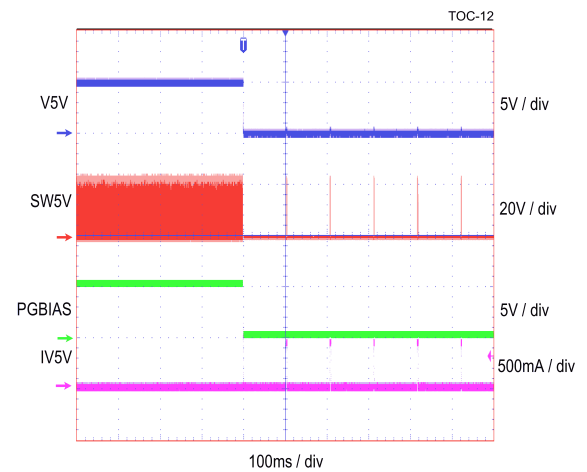
**Figure 12. Main-buck Short Circuit Protection**

$V_{PVIN} = 24\text{ V}$ ,  $V_{FB\_VO} = 5\text{ V}$  (target)



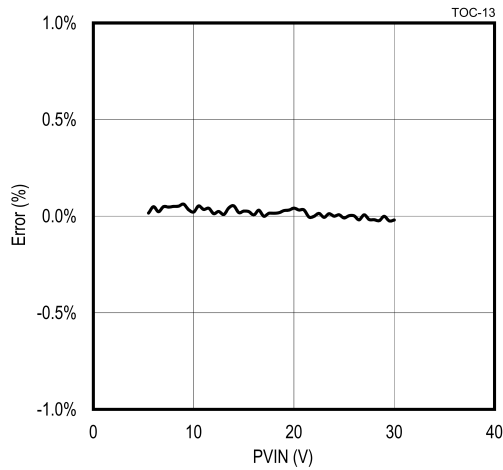
**Figure 13. Mini-buck Over Current Protection**

$V_{IN} = 24\text{ V}$



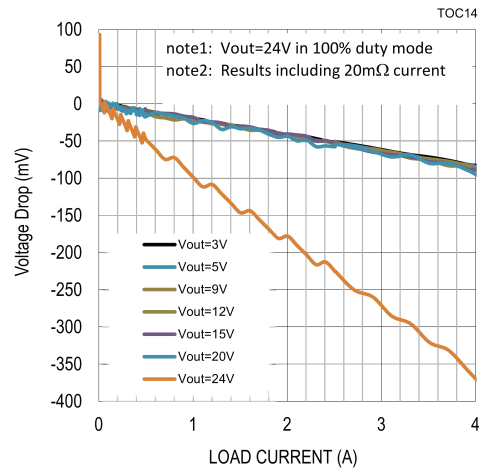
**Figure 14. Mini-buck Short Circuit Protection**

$V_{IN} = 24\text{ V}$



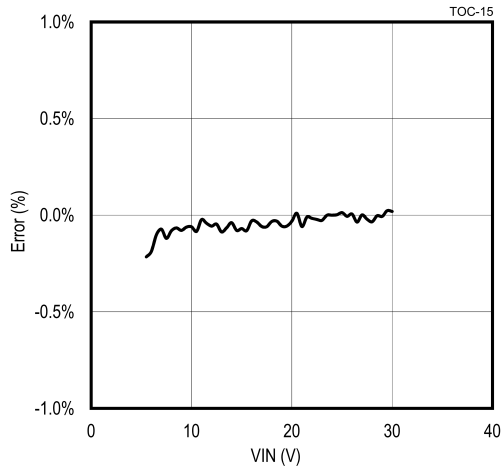
**Figure 15. Main-buck Line Regulation**

$V_{PVIN} = 4 \text{ to } 30 \text{ V}$ ,  $V_{FB\_VO} = 5 \text{ V}$  (target),  $I_{OUT} = 2 \text{ A}$



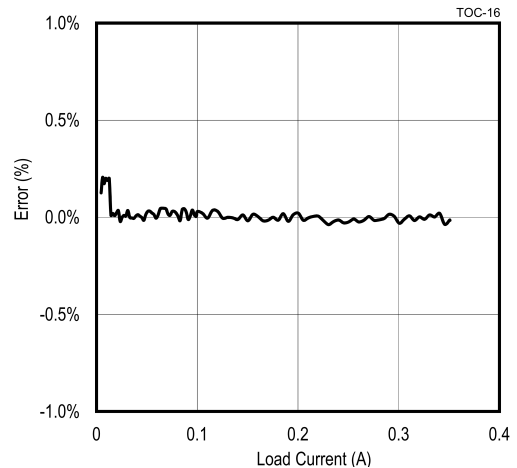
**Figure 16. Main-buck Load Regulation**

$V_{PVIN} = 24 \text{ V}$ ,  $V_{FB\_VO} = 5 \text{ V}$  (target),  $I_{OUT} = 0 \text{ to } 4 \text{ A}$



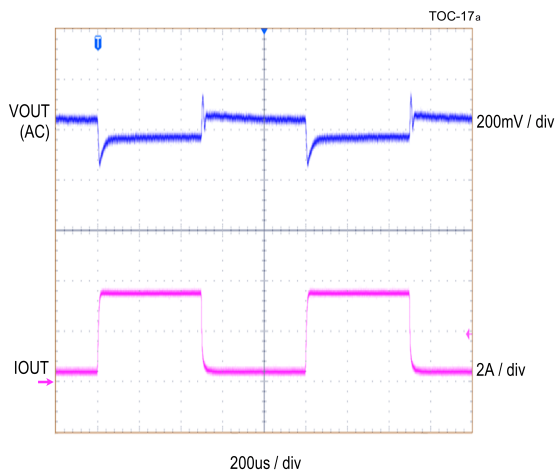
**Figure 17. Mini-buck Line Regulation**

$V_{IN} = 4 \text{ to } 30 \text{ V}$ ,  $I_{OUT} = 150 \text{ mA}$



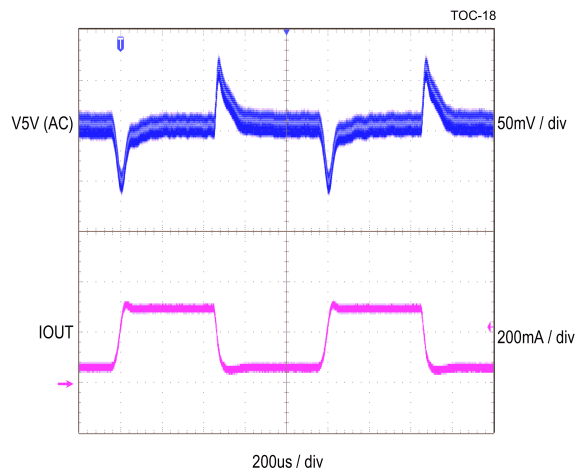
**Figure 18. Mini-buck Load Regulation**

$V_{IN} = 24 \text{ V}$ ,  $I_{OUT} = 0 \text{ to } 350 \text{ mA}$



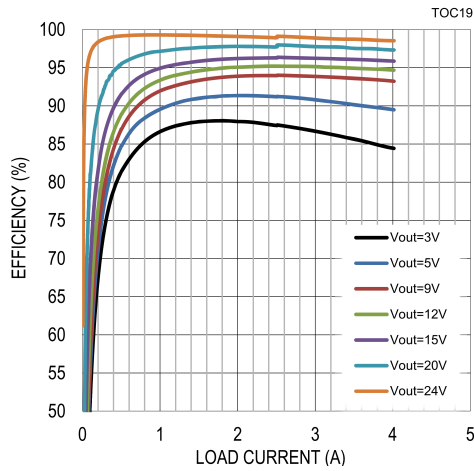
**Figure 19. Main-buck Load Transient**

$V_{PVIN} = 24 \text{ V}$ ,  $V_{FB\_VO} = 5 \text{ V}$  (target),  
 $I_{OUT} = 0.4 \text{ to } 3.6 \text{ A}$



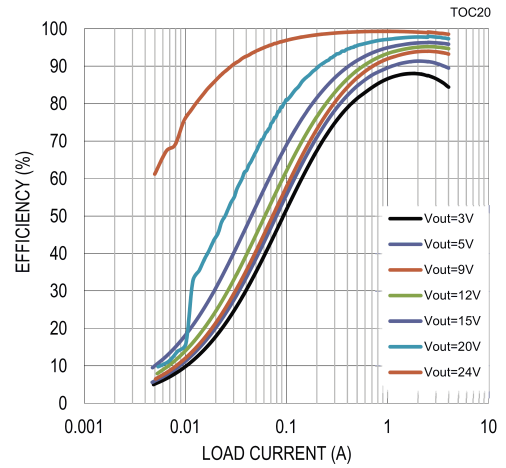
**Figure 20. Mini-buck Load Transient**

$V_{IN} = 24 \text{ V}$ ,  $I_{OUT} = 35 \text{ to } 300 \text{ mA}$



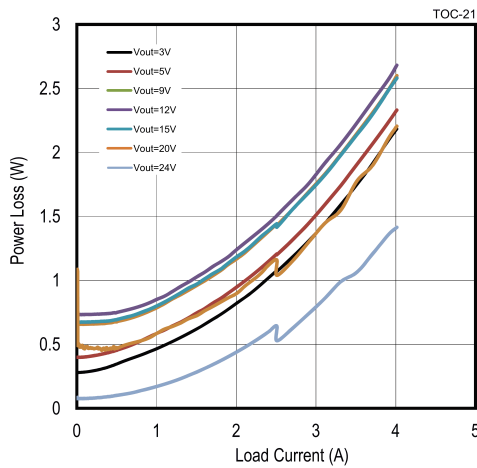
**Figure 21. Main-buck Efficiency**

$V_{PVIN} = 24\text{ V}$ ,  $V_{FB\_VO} = 3,5,9,12,15,20,24\text{ V}$  (target),  $I_{OUT} = 0\text{ to }4\text{ A}$



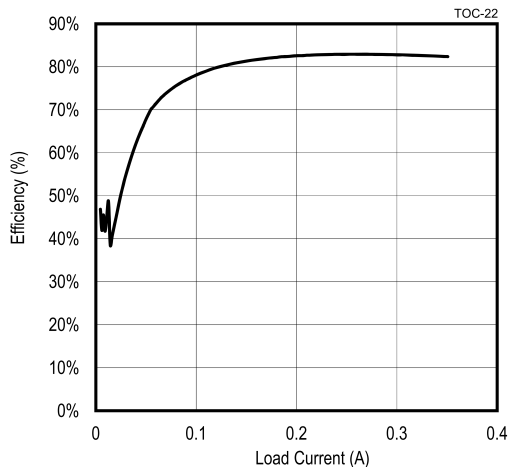
**Figure 22. Main-buck Efficiency (Log scale)**

$V_{PVIN} = 24\text{ V}$ ,  $V_{FB\_VO} = 3,5,9,12,15,20,24\text{ V}$  (target),  $I_{OUT} = 0\text{ to }4\text{ A}$



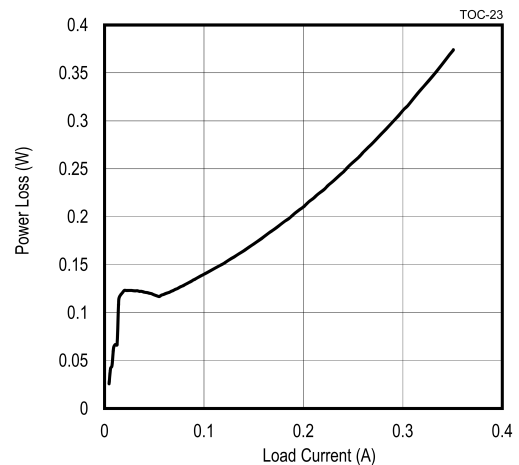
**Figure 23. Main-buck Power Loss**

$V_{PVIN} = 24\text{ V}$ ,  $V_{FB\_VO} = 3,5,9,12,15,20,24\text{ V}$  (target),  $I_{OUT} = 0\text{ to }4\text{ A}$



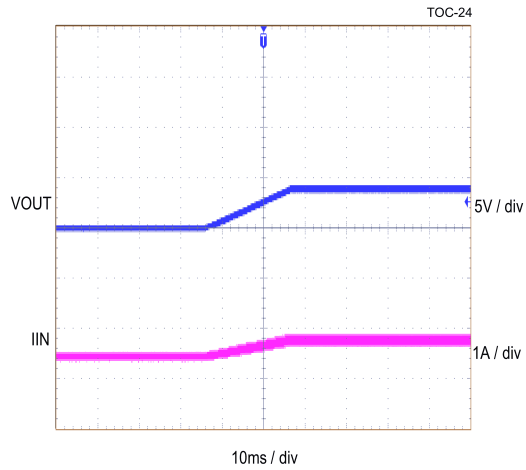
**Figure 24. Mini-buck Efficiency**

$V_{IN} = 24\text{ V}$ ,  $I_{OUT} = 0\text{ to }350\text{ mA}$



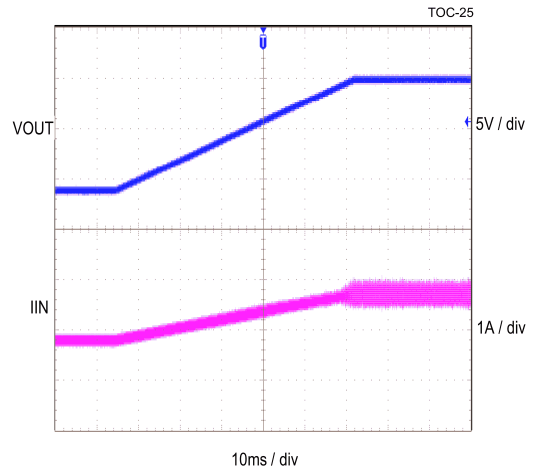
**Figure 25. Mini-buck Power Loss**

$V_{IN} = 24\text{ V}$ ,  $I_{OUT} = 0\text{ to }350\text{ mA}$



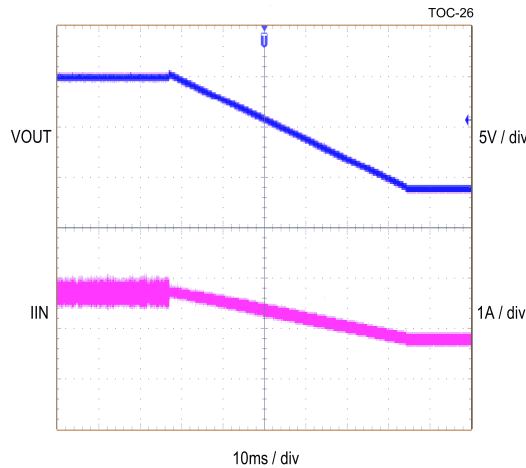
**Figure 26. Main-buck Programming 5 to 9 V**

$V_{PVIN} = 24\text{ V}$ ,  $I_{OUT} = 2\text{ A}$



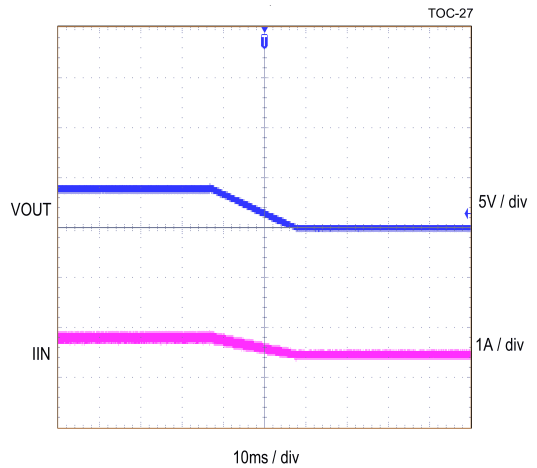
**Figure 27. Main-buck Programming 9 to 20 V**

$V_{PVIN} = 24\text{ V}$ ,  $I_{OUT} = 2\text{ A}$



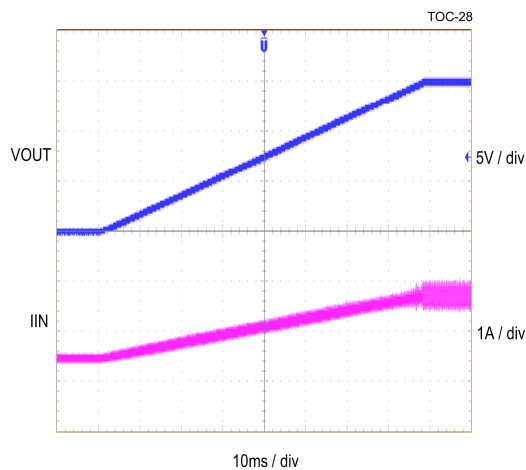
**Figure 28. Main-buck Programming 20 to 9 V**

$V_{PVIN} = 24\text{ V}$ ,  $I_{OUT} = 2\text{ A}$



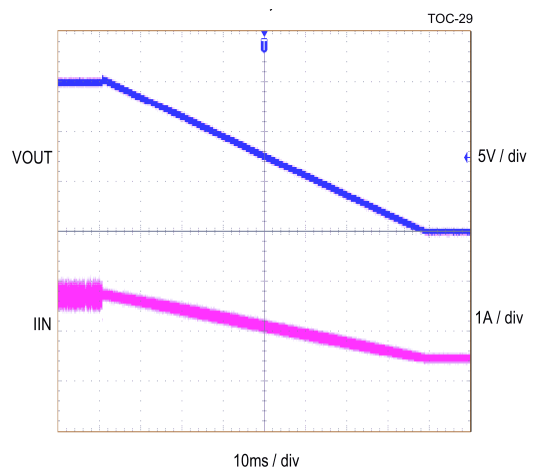
**Figure 29. Main-buck Programming 9 to 5 V**

$V_{PVIN} = 24\text{ V}$ ,  $I_{OUT} = 2\text{ A}$



**Figure 30. Main-buck Programming 5 to 20 V**

$V_{PVIN} = 24\text{ V}$ ,  $I_{OUT} = 2\text{ A}$



**Figure 31. Main-buck Programming 20 to 5 V**

$V_{PVIN} = 24\text{ V}$ ,  $I_{OUT} = 2\text{ A}$

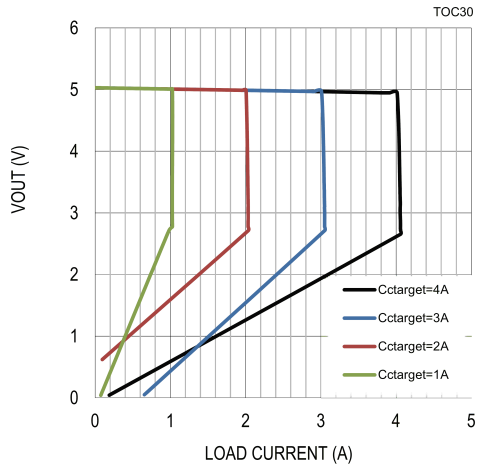


Figure 32. Main-buck Constant Current

$V_{PVIN} = 24\text{ V}$ ,  $V_{FB\_VO} = 5\text{ V}$  (target),  $I_{OUT} = 1, 2, 3, 4\text{ A}$

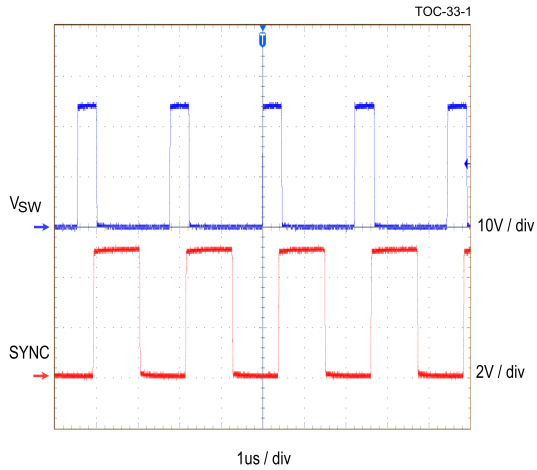


Figure 33. Clock-master: SYNC Output and SW Waveform

$V_{PVIN} = 24\text{ V}$ ,  $R_{ADDR} = (\text{open})$

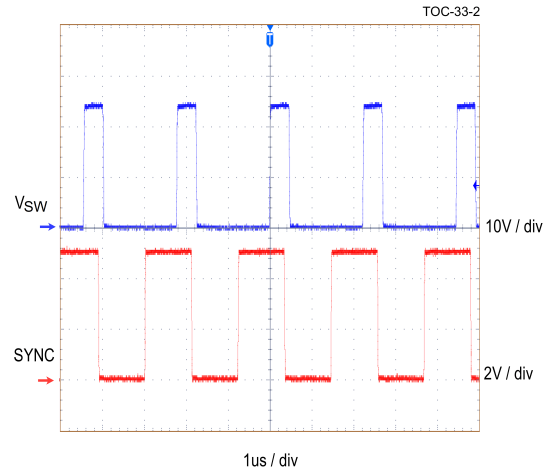


Figure 34. Clock-slave: SYNC Input and SW Waveform

$V_{PVIN} = 24\text{ V}$ ,  $R_{ADDR} = 50\text{ k}\Omega$



## I<sup>2</sup>C Registers

In this section, I<sup>2</sup>C register mappings and bit assignments are explained. Please refer to [I<sup>2</sup>C Interface](#) section how to access, how to setup these registers.

### Register Address Map

This is an entire mapping of I<sup>2</sup>C registers on the [ACT4752](#) device. Here are the meanings of each column in [Table 1](#).

<b>Reg Addr</b>	<b>I<sup>2</sup>C register address</b> number in hexadecimal
<b>Reg Name</b>	<b>Register name</b>
<b>R/W</b>	<b>Read / Write</b> type of register <b>R:</b> Read only <b>W:</b> Write only <b>R/W:</b> Read and Write
<b>Def</b>	<b>Default value</b>
<b>F/P</b>	<b>Factory Programming</b> support <b>Y:</b> The default values can be programmed by a production test. <b>N:</b> The default values are fixed / hard-coded.
<b>Description</b>	<b>Description</b> of the register



Please contact your local sales representatives for availabilities of different **Factory Programming** default settings. See [Factory Programming Options](#).

In [Table 1](#) below, each register address value string is a link to the detailed bit description.

**Table 1. Register Address Map**

Reg Addr	Reg Name	R/W	Def	F/P	Description
<a href="#">0x00</a>	State-Machine	R	—	N	Current position of the state-machine
<a href="#">0x01</a>	Interrupt #1	R	—	N	Interrupt byte #1
<a href="#">0x02</a>	Interrupt #2	R	—	N	Interrupt byte #2
<a href="#">0x03</a>	Status Flag	R	—	N	Status byte (no interrupt)
<a href="#">0x04</a>	(Reserved)	R	—	N	(not in use)
<a href="#">0x05</a>	Command	R/W	0x00	N	Command to trigger actions
<a href="#">0x06</a>	Interrupt Mask #1	R/W	0x00	Y	Interrupt mask byte #1 for the register <a href="#">Reg01</a>
<a href="#">0x07</a>	Interrupt Mask #2	R/W	0x00	Y	Interrupt mask byte #2 for the register <a href="#">Reg02</a>
<a href="#">0x08</a>	Configuration byte #1	R/W	0x28	Y	Configure various device behaviors #1
<a href="#">0x09</a>	Configuration byte #2	R/W	0xF3	Y	Configure various device behaviors #2
<a href="#">0x0A</a>	DACOUT[10:3]	R/W	0x32	Y	DACOUT programming value bit 10 to 3
<a href="#">0x0B</a>	DACOUT[2:0], Configuration byte #3	R/W	0x10	Y	DACOUT programming value bit 2 to 0 Configure various device behaviors #3
<a href="#">0x0C</a>	ILIM Value	R/W	0xFF	Y	ILIM programming value bit 7 to 0
<a href="#">0x0D</a>	AUX LDO Value	R/W	0x30	Y	VLDO programming value bit 5 to 0
<a href="#">0x0E</a>	Configuration byte #4	R/W	0x23	Y	Configure various device behaviors #4
<a href="#">0x0F</a>	Configuration byte #5	R/W	0x9E	Y	Configure various device behaviors #5

## Register Bit Maps

Following sub-sections explain bit assignments of each I<sup>2</sup>C register. Here are the meanings of each column in below bit tables.

<b>Bit #</b>	Bit position (number)
<b>Bit(s) Name</b>	Bit(s) name
<b>Def</b>	Default value
<b>Description</b>	Description of the bit(s)

### 0x00 State-Machine

The register 0x00 is **Read Only** type. It indicates current position of the state-machine. See [Control Logic](#).

Table 2. Register 0x00

Bit #	Bit(s) Name	Def	Description
7		0	(un-used bit)
6		0	(un-used bit)
5		0	(un-used bit)
4		0	(un-used bit)
3	State[3]	0	See <a href="#">Table 3</a> .
2	State[2]	0	
1	State[1]	0	
0	State[0]	0	

Table 3. State-Machine Bits [3:0]

Value (bin)	Value (hex)	Position of State-Machine
0000	0x00	No Power, in Under-Voltage Lock-Out
0001	0x01	Bias Ramp, initialing mini-buck <sup>[1]</sup>
0010	0x02	Bias Reset
0011	0x03	Bias Ramp checking R <sub>ADDR</sub> <sup>[1]</sup>
0100	0x04	Bias Ramp
0101	0x05	Bias Ready checking R <sub>FREQ</sub> <sup>[1]</sup>
0110	0x06	R <sub>FREQ</sub> Checking Loop <sup>[2]</sup>
0111	0x07	Bias Ready
1000	0x08	Main-buck Ramp enabling main-buck <sup>[1]</sup>
1001	0x09	Main-buck Ramp
1010	0x0A	Main-buck ON
1011	0x0B	Main-buck Shutdown
1100	0x0C	Main-buck Error

<sup>[1]</sup> Short transit, not staying loner at this position

<sup>[2]</sup> Not in the [Table 27](#), see [R<sub>FREQ</sub> Checking Loop](#)

### 0x01: Interrupt #1

### 0x02: Interrupt #2

The registers 0x01 and 0x02 are **Read Only**. These 2 registers indicate cause(s) of the latest interrupt event by setting **1** at corresponding bit(s), so bit(s) of **0** mean nothing happened (normal). In the [Reg01](#) and [Reg02](#), trigger events setting **1** are described. See [Interrupt Output](#).

Bits in these registers will be automatically cleared by reading the value with an I<sup>2</sup>C command.



This automatic bit-clear action applies if the cause of an interrupt is resolved at the timing of a READ action. For most of the bits in 0x01 and 0x02, the automatic bit-clear happens because these protection events trigger shutdown actions to resolve the error situation.

Table 4. Register 0x01

Bit #	Bit(s) Name	Def	Description
7	Main-buck in CC/CV	0	Becomes <b>1</b> when the main-buck transits CC→CV or CV→CC. See <a href="#">CC / CV Interrupt/Monitor</a> .
6		0	(un-used bit)
5	Out of Range, SYNC Input	0	Becomes <b>1</b> when the SYNC pin input clock is out of range. See <a href="#">Clock Synchronizer</a> .
4	Out of Range, R <sub>FREQ</sub>	0	Becomes <b>1</b> when the R <sub>FREQ</sub> value, probed, is out of range. See <a href="#">R<sub>FREQ</sub> Protection</a> .
3	T <sub>SD(HARD)</sub> Event	0	Becomes <b>1</b> when the T <sub>J</sub> exceeds the T <sub>SD(HARD)</sub> threshold. See <a href="#">Thermal Protection</a> .
2	T <sub>SD(SOFT)</sub> Event	0	Becomes <b>1</b> when the T <sub>J</sub> exceeds the T <sub>SD(SOFT)</sub> threshold. See <a href="#">Thermal Protection</a> .
1		0	(un-used bit)
0	V <sub>IT(OVLO)</sub> Event	0	Becomes <b>1</b> when the V <sub>PVIN</sub> exceeds the V <sub>IT(OVLO)</sub> threshold. See <a href="#">Over-Voltage Lock-Out</a> .

Table 5. Register 0x02

Bit #	Bit(s) Name	Def	Description
7		0	(un-used bit)
6	Main-buck Over-current Event	0	Becomes <b>1</b> when the output current in <a href="#">Over-Current Protection</a> .
5	V <sub>OVP</sub> Event	0	Becomes <b>1</b> when the V <sub>O</sub> exceeds the V <sub>OVP</sub> threshold. See <a href="#">Over-Voltage Protection</a>
4	V <sub>UVP(CV)</sub> or V <sub>UVP(CC)</sub> Event	0	Becomes <b>1</b> when the V <sub>O</sub> falls below the V <sub>UVP(CV)</sub> or V <sub>UVP(CC)</sub> threshold. See <a href="#">Under-Voltage Protection</a> .
3	AUX LDO Under-voltage	0	Becomes <b>1</b> when the V <sub>O(VLDO)</sub> falls below the V <sub>UVP(VLDO)</sub> threshold. See <a href="#">AUX LDO Under-Voltage Protection</a>
2	I <sub>OCP(V5V)</sub> Event	0	Becomes <b>1</b> when the output current of the mini-buck exceeds the I <sub>OCP(V5V)</sub> threshold. See <a href="#">Mini-buck Over-Current Protection</a> .
1	V <sub>OVP(V5V)</sub> Event	0	Becomes <b>1</b> when the V <sub>O(V5V)</sub> exceeds the V <sub>OVP(V5V)</sub> threshold. See <a href="#">Mini-buck Over-Voltage Protection</a> .
0	V <sub>UVP(V5V)</sub> Event	0	Becomes <b>1</b> when the V <sub>O(V5V)</sub> falls below the V <sub>UVP(V5V)</sub> threshold. See <a href="#">Mini-buck Under-Voltage Protection</a> .

### 0x03: Status Flag

The register 0x03 is **Read Only** type. It indicates various status flags from internal circuit blocks.

Table 6. Register 0x03

Bit #	Bit(s) Name	Def	Description
7	WDT High	0	1*: Clock input at SYNC is too high/low to accept. 0: (normal), See <a href="#">SYNC Input Watch Dog Timer</a> .
6	WDT Low	0	
5	Mini-buck in 100%	0	1*: Mini-buck is operating in 100% mode. 0: Mini-buck is operating out of 100% mode. See <a href="#">Mini-buck 100% Duty Operation</a> .
4	Main-buck in CC	0	1*: Main-buck is operating in CC mode. 0: Main-buck is operating in CV mode. See <a href="#">Programmable Current Limit</a> .
3	Main-buck in 100%	0	1*: Main-buck is operating in 100% mode. 0: Main-buck is operating out of 100% mode. See <a href="#">100% Duty Operation</a> .
2	PG of Main-buck	0	1*: Main-buck in "Power-good" condition 0: Main-buck in <b>NOT</b> "Power-good" condition See <a href="#">Main-buck Power-Good</a> .
1		0	(un-used bit)
0		0	(un-used bit)

### 0x04: (Reserved)

The register 0x04 is reserved for future spins. Nothing is assigned to this register.

### 0x05: Command

The register 0x05 is **Read / Write** type. A writing action to this register triggers a certain action at the device.

Table 7. Register 0x05

Bit #	Bit(s) Name	Def	Description
7		0	(un-used bit)
6		0	(un-used bit)
5		0	(un-used bit)
4		0	(un-used bit)
3		0	(un-used bit)
2		0	(un-used bit)
1	Load DACOUT	0	Setting <b>1</b> to load <a href="#">DACOUT</a> value in effect. Always reads <b>0</b> . See <a href="#">Loading New DACOUT Value</a> .
0	Enable Main-buck	0	Writing <b>1</b> to enable Main-buck See <a href="#">Main-buck Enable Control</a>

### 0x06: Interrupt Mask #1

### 0x07: Interrupt Mask #2

The registers 0x06 and 0x07 are **Read / Write** type. These 2 registers are corresponding to the [Reg01](#) and [Reg02](#) respectively. Any **1** bit in Reg06 and Reg07 prevents (masks) an interrupt event triggered by the corresponding bit in Reg01 and Reg02. For example, Setting the [Reg07\[5\]](#) bit makes no interrupt event even though an over-voltage happened at the [Reg02\[5\]](#) bit. See [Interrupt Output](#).



When the [Reg08\[5\]](#) "Mask All" bit is **1**, all [Reg06](#) and [Reg07](#) bits are overridden to **1 internally** regardless of register values there.

**Table 8. Register 0x06**

Bit #	Bit(s) Name	Def	Description
7	Mask Main-buck in CC/CV	0	1: mask bit 7 of <a href="#">Reg01</a> 0: (no-mask)
6		0	(un-used bit)
5	Mask Out of Range, SYNC Input	0	1: mask bit 5 of <a href="#">Reg01</a> 0: (no-mask)
4	Mask Out of Range, R <sub>FREQ</sub>	0	1: mask bit 4 of <a href="#">Reg01</a> 0: (no-mask)
3	Mask T <sub>SD(HARD)</sub> Event	0	1: mask bit 3 of <a href="#">Reg01</a> 0: (no-mask)
2	Mask T <sub>SD(SOFT)</sub> Event	0	1: mask bit 2 of <a href="#">Reg01</a> 0: (no-mask)
1		0	(un-used bit)
0	Mask V <sub>IT(OVLO)</sub> Event	0	1: mask bit 0 of <a href="#">Reg01</a> 0: (no-mask)

**Table 9. Register 0x07**

Bit #	Bit(s) Name	Def	Description
7		0	(un-used bit)
6	Mask Main-buck Over-current Event	0	1: mask bit 6 of <a href="#">Reg02</a> 0: (no-mask)
5	Mask V <sub>OVP</sub> Event	0	1: mask bit 5 of <a href="#">Reg02</a> 0: (no-mask)
4	Mask V <sub>UVP(CV)</sub> or V <sub>UVP(CC)</sub> Event	0	1: mask bit 4 of <a href="#">Reg02</a> 0: (no-mask)
3	Mask AUX LDO Under-voltage	0	1: mask bit 3 of <a href="#">Reg02</a> 0: (no-mask)
2	Mask I <sub>OCP(V5V)</sub> Event	0	1: mask bit 2 of <a href="#">Reg02</a> 0: (no-mask)
1	Mask V <sub>OVP(V5V)</sub> Event	0	1: mask bit 1 of <a href="#">Reg02</a> 0: (no-mask)
0	Mask V <sub>UVP(V5V)</sub> Event	0	1: mask bit 0 of <a href="#">Reg02</a> 0: (no-mask)

### 0x08: Configuration byte #1

The register 0x08 is **Read / Write** type. It configures the device behaviors as described.

**Table 10. Register 0x08**

Bit #	Bit(s) Name	Def	Description
7	PG Delay[1]	0	See <a href="#">Table 11</a> . See <a href="#">Main-buck Power-Good</a> .
6	PG Delay[0]	0	
5	Mask All	1	<b>1:</b> overrides all <a href="#">Reg06</a> and <a href="#">Reg07</a> bits <b>1 internally</b> . <b>0:</b> "masking" follows each bit of <a href="#">Reg06</a> and <a href="#">Reg07</a> .
4	PGBIAS Delay[1]	0	See <a href="#">Table 12</a> and See <a href="#">PGBIAS Indicator Output</a> .
3	PGBIAS Delay[0]	1	
2		0	(un-used bit)
1		0	(un-used bit)
0		0	(un-used bit)

**Table 11. PG Delay [1:0]**

Value (bin)	Value (hex)	PG pin Delay Time
<b>00</b>	<b>0x00</b>	<b>0 ms (default)</b>
<b>01</b>	<b>0x01</b>	0.25 ms
<b>10</b>	<b>0x02</b>	1 ms
<b>11</b>	<b>0x03</b>	4 ms

**Table 12. PGBIAS Delay [1:0]**

Value (bin)	Value (hex)	PGBIAS pin Delay Time
<b>00</b>	<b>0x00</b>	1 ms
<b>01</b>	<b>0x01</b>	<b>1.25 ms (default)</b>
<b>10</b>	<b>0x02</b>	1.5 ms
<b>11</b>	<b>0x03</b>	3 ms

### 0x09: Configuration byte #2

The register 0x09 is **Read / Write** type. It configures the device behaviors as described.

**Table 13. Register 0x09**

Bit #	Bit(s) Name	Def	Description
7	Servo Clock[1]	1	See <a href="#">Table 14</a> .
6	Servo Clock[0]	1	
5	Discharge in Servo	1	<b>1:</b> Use discharge resistor to drive $V_O$ servo down. <b>0:</b> Not use discharge resistor in servo. See <a href="#">Negative Transition with <math>R_{DIS}</math></a> and <a href="#">Output Discharge Resistor</a> .
4	Discharge at OFF	1	<b>1:</b> Use discharge resistor when main-buck disabled. <b>0:</b> Not use discharge resistor when main-buck disabled. See <a href="#">Main-buck Enable Control</a> and <a href="#">Output Discharge Resistor</a> .
3	Main-buck No UVP	0	<b>1:</b> disable main-buck under-voltage protection. <b>0:</b> use main-buck under-voltage protection. See <a href="#">UVP selection</a> .
2	Hiccup / Latch-off	0	<b>1:</b> Latch-off action in main-buck. <b>0:</b> Hiccup action in main-buck. See <a href="#">Under-Voltage Hiccup</a> and <a href="#">Under-Voltage Latch-off</a> . Also, see <a href="#">SYNC Error Hiccup</a> and <a href="#">SYNC Error Latch-off</a> .
1	Enable Mini-buck	1	<b>1:</b> enable Mini-buck, automatically start-up Mini-buck. <b>0:</b> disable Mini-buck, manually start-up Mini-buck. See <a href="#">V5V</a> , <a href="#">External 5V Supply</a> .
0	Enable AUX LDO	1	<b>1:</b> enable AUX LDO, automatically start-up AUX LDO. <b>0:</b> disable AUX LDO, manually start-up AUX LDO. See <a href="#">AUX LDO Enable</a> .

**Table 14. Servo Clock [1:0]**

Value (bin)	Value (hex)	Servo Clock Period
00	0x00	$t_{W(SERVO)} \times 1$
01	0x01	$t_{W(SERVO)} \times 2$
10	0x02	$t_{W(SERVO)} \times 4$
11	0x03	$t_{W(SERVO)} \times 8$ (default)

### 0x0A: DACOUT Value [10:3]

The register 0x0A is **Read / Write** type. It programs DACOUT value.

Table 15. Register 0x0A

Bit #	Bit(s) Name	Def	Description
7	DACOUT[10]	0	See <a href="#">Table 16</a> . 3 more bits in <a href="#">Reg0B</a> . See <a href="#">Output Voltage Reference</a> .
6	DACOUT[9]	0	
5	DACOUT[8]	1	
4	DACOUT[7]	1	
3	DACOUT[6]	0	
2	DACOUT[5]	0	
1	DACOUT[4]	1	
0	DACOUT[3]	0	

Table 16. DACOUT[10:0]

Value (bin)	Value (hex)	DACOUT Voltage (mV)	V <sub>O</sub> Voltage (V)
000 0000 0000	0x000	0.0	0.0000
...			
000 1110 1111	0x0EF	373.4	2.9875
000 1111 0000	0x0F0	375.0 <sup>[1]</sup>	<b>3.0000</b>
000 1111 0001	0x0F1	376.6	3.0125
...			
001 0000 1000	0x108	412.5	<b>3.3</b>
...			
001 1001 0000	0x190	<b>625.0 (default)</b>	<b>5</b>
...			
010 1101 0000	0x2D0	1125.0	<b>9</b>
...			
011 1100 0000	0x3C0	1500.0	<b>12</b>
...			
100 1011 0000	0x480	1875.0	<b>15</b>
...			
111 0111 1111	0x77F	2998.4	23.9875
111 1000 0000	0x780	3000.0 <sup>[2]</sup>	<b>24.0000</b>
111 1000 0001	0x781	3000.0	24.0000
...			
111 1111 1111	0x7FF	3000.0	24.0000

<sup>[1]</sup> Minimum value of the DACOUT range characterized.  
<sup>[2]</sup> Maximum value of the DACOUT range characterized.



### 0x0B: Configuration byte #3, DACOUT[2:0]

The register 0x0B is **Read / Write** type. It configures the device behaviors as described.

Table 17. Register 0x0B

Bit #	Bit(s) Name	Def	Description
7	Enable main-buck 100%	0	1: enable main-buck 100% mode. 0: disable main-buck 100% mode. See <a href="#">100% Duty Operation</a> .
6	Enable main-buck Spread-Spectrum	0	1: enable main-buck spread-spectrum operation. 0: disable main-buck spread-spectrum operation. See <a href="#">Spread-spectrum Operation</a> .
5		0	(un-used bit)
4	Enable main-buck CC	1	1: enable main-buck Constant-current operation. 0: disable main-buck Constant-current operation. See <a href="#">Programmable Current Limit</a> .
3	Select main-buck UVP	0	1: select $V_{UVP(CV)}$ . 0: select $V_{UVP(CC)}$ . See <a href="#">UVP selection</a> .
2	DACOUT[2]	0	See <a href="#">Table 16</a> . 8 more bits in <a href="#">Reg0A</a> . See <a href="#">Output Voltage Reference</a> .
1	DACOUT[1]	0	
0	DACOUT[0]	0	

### 0x0C: ILIM Value

The register 0x0C is **Read / Write** type. It programs ILIM value.

Table 18. Register 0x0C

Bit #	Bit(s) Name	Def	Description
7	ILIM[7]	1	See <a href="#">Table 19</a> . See <a href="#">Output Current Reference</a> .
6	ILIM[6]	1	
5	ILIM[5]	1	
4	ILIM[4]	1	
3	ILIM[3]	1	
2	ILIM[2]	1	
1	ILIM[1]	1	
0	ILIM[0]	1	

Table 19. ILIM[7:0]

Value (bin)	Value (hex)	$I_{LIM}$ Current ( $\mu A$ )	Output Current (mA) with $R_{CS}=20\ m\Omega$ and $R_{ILIM}=16\ k\Omega$
0000 0000	0x00	0.39	15.6
0000 0001	0x01	0.78	31.3
0000 0010	0x02	1.17	46.9
...			
1111 1101	0xFD	99.2	3969
1111 1110	0xFE	99.6	3984
1111 1111	0xFF	100.0 (default) (= $I_{LIM(100)}$ )	4000

### 0x0D: AUX LDO Value

The register 0x0D is **Read / Write** type. It programs AUX LDO value.

**Table 20. Register 0x0D**

Bit #	Bit(s) Name	Def	Description
7		0	(un-used bit)
6		0	(un-used bit)
5	LDO Voltage[5]	1	See <a href="#">Table 21</a> . See <a href="#">AUX LDO Output Voltage Programming</a> .
4	LDO Voltage[4]	1	
3	LDO Voltage[3]	0	
2	LDO Voltage[2]	0	
1	LDO Voltage[1]	0	
0	LDO Voltage[0]	0	

**Table 21. LDO Voltage[5:0]**

Value (bin)	Value (hex)	V <sub>O(VLDO)</sub> Voltage (V)
00 0000	0x00	0.90
00 0001	0x01	0.95
00 0010	0x02	1.00
00 0011	0x03	1.05
...		
00 0110	0x06	1.20
...		
00 1100	0x0C	1.50
...		
01 0010	0x12	1.80
...		
10 0000	0x20	2.50
...		
10 1010	0x2A	3.00
...		
11 0000	0x30	<b>3.30 (default)</b>
...		
11 1101	0x3D	3.95
11 1110	0x3E	4.00
11 1111	0x3F	4.05

### 0x0E: Configuration byte #4

The register 0x0E is **Read / Write** type. It configures the device behaviors as described.

**Table 22. Register 0x0E**

Bit #	Bit(s) Name	Def	Description
7		0	(un-used bit)
6		0	(un-used bit)
5	(fixed value)	1	always program this bit to 1.
4		0	(un-used bit)
3	Main-buck HSD[1]	0	See <a href="#">Table 23</a> .
2	Main-buck HSD[0]	0	See <a href="#">Main-buck EMI Tune-up</a> .
1	(fixed value)	1	always program this bit to 1.
0	(fixed value)	1	always program this bit to 1.

**Table 23. Main-buck Gate Driver Strength[1:0]**

HSD[1]	HSD[0]	SW node Rising/ Falling Time (ns)	SW node Falling Time (ns)
0	0	<b>10.6 (default)</b>	<b>5.1 (default)</b>
0	1	6.0	4.7
1	0	5.5	4.2
1	1	5.0	3.8

### 0x0F: Configuration byte #5

The register 0x0F is **Read / Write** type. It configures the device behaviors as described.

**Table 24. Register 0x0F**

Bit #	Bit(s) Name	Def	Description
7	Enable Mini-buck 100%	1	1: enable Mini-buck 100% mode. 0: disable Mini-buck 100% mode. See <a href="#">Mini-buck 100% Duty Operation</a> .
6	Enable Mini-buck Spread-Spectrum	0	1: enable Mini-buck spread-spectrum operation. 0: disable Mini-buck spread-spectrum operation. See <a href="#">Mini-buck Spread-spectrum Operation</a> .
5	Enable Mini-buck Forced CCM	0	1: enable Mini-buck Forced CCM operation. 0: disable Mini-buck Forced CCM (= pulse-skipping) operation. See <a href="#">Mini-buck Forced Continuous Conduction Operation</a> .
4	Mini-buck HSD[1]	1	See <a href="#">Table 25</a> .
3	Mini-buck HSD[0]	1	See <a href="#">Mini-buck EMI Tune-up</a> .
2	Mini-buck LSD[1]	1	See <a href="#">Table 26</a> .
1	Mini-buck LSD[0]	1	See <a href="#">Mini-buck EMI Tune-up</a> .
0		0	(un-used bit)

**Table 25. Mini-buck High-side-driver Strength[1:0]**

HSD[1]	HSD[0]	SW5V node Rising Speed
0	0	Better EMI (low noise)
0	1	(not valid, don't choose)
1	0	(not valid, don't choose)
1	1	<b>Better Efficiency (default)</b>

**Table 26. Mini-buck Low-side-driver Strength[1:0]**

LSD[1]	LSD[0]	SW5V node Falling Speed
0	0	Better EMI
0	1	(not valid, don't choose)
1	0	(not valid, don't choose)
1	1	<b>Better Efficiency (default)</b>

### Device Functions

#### Overview

The ACT4752 device is a wide input / output voltage, easy to use, stable and robust step-down (buck) switching regulator IC.

The device truly supports plug-and-play operation by following the recommended schematic from the evaluation kit (EVK) design. This EVK operates in entire supported input voltage, output voltage and output current range without changing anything on the EVK board (except tuning a potentiometer for a target output voltage setting).

The device consists of following four major blocks.

- **Main-buck regulator**  
The [Main-buck Regulator](#) is a 4 A, synchronous, step-down DC-DC converter, featuring on-the-fly programming voltage and current-limit reference generators.
- **Mini-buck regulator**  
The [Mini-buck Regulator](#) is a 5 V output, 350 mA, always-ON, step-down DC-DC converter.
- **Auxiliary (AUX) LDO regulator**  
The [Auxiliary LDO](#) is a programmable output voltage, 20 mA low drop-out (LDO) linear regulator.
- **Control Logic**  
The [Control Logic](#) is a state-machine (STM) logic and I<sup>2</sup>C interface controller

#### Functional Block Diagram

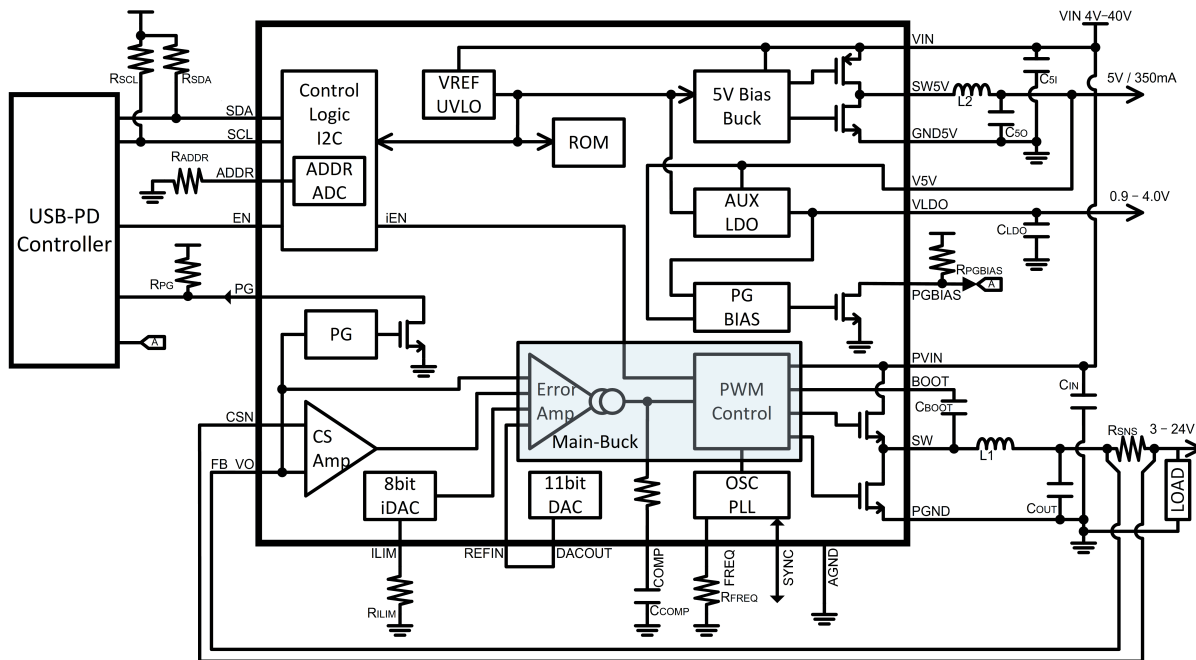


Figure 35. Functional Block Diagram

### Control Logic

The ACT4752 device integrates a logic block that controls entire behavior of the device in a manner of state-machine (STM).

At a higher level, the STM consists of nine major status as shown in Table 27.

Table 27. Major States in STM

State	Description	IN	OUT
<b>Normal State</b>			
<b>No Power</b>	No power at the VIN pin.	<b>any state</b> @Power Removed, UVLO, or OVLO	<b>Bias Ramp</b> @Power Attached
<b>Bias Ramp</b>	Power at the VIN pin, bias blocks ramping up.	<b>No Power</b> @Power Attached	<b>R<sub>FREQ</sub> Check</b> @Mini-buck UP
<b>Bias Ready</b>	Bias blocks ready, waiting for main-buck enable. <b>PGBIAS = logic-H</b>	<b>R<sub>FREQ</sub> Check</b> @PGBIAS ↑	<b>Main-buck Ramp</b> @EN ↑
<b>Main-buck Ramp</b>	Main-buck enabled and ramping up. <b>PGBIAS = logic-H</b>	<b>Bias Ready</b> @EN ↑	<b>Main-buck ON</b> @PG ↑
<b>Main-buck ON</b>	Main-buck is up and running. <b>PGBIAS = logic-H,</b> <b>PG = logic-H</b>	<b>Main-buck Ramp</b> @PG ↑ or <b>Main-buck Servo</b> @Servo Complete	<b>Main-buck Servo</b> @Register Change
<b>Servo</b>	Main-buck is up and running, changing output voltage or current target. <b>PGBIAS = logic-H,</b> <b>PG = logic-L</b>	<b>Main-buck ON</b> @Register Change	<b>Main-buck Ramp</b> @Servo Complete
<b>Protection States</b>			
<b>Bias Reset</b>	Critical error in bias blocks, waiting to reset. See <a href="#">Protection Level 2</a> .	<b>any Normal State</b> @Mini-buck <b>OC</b> , <b>OV</b> , <b>UVP</b> , @ <b>AUX LDO UVP</b> , @ <b>R<sub>FREQ</sub> Out of Range</b> , @ <b>Hard TSD</b>	<b>Bias Ramp</b> @ <b>t<sub>D(RESET)</sub></b> Time-out
<b>R<sub>FREQ</sub> Check</b>	Waiting for valid R <sub>FREQ</sub> . See <a href="#">R<sub>FREQ</sub> Protection</a> .	<b>Bias Ramp</b> @(Mini-buck Up)	<b>Bias Ready</b> @R <sub>FREQ</sub> Validated
<b>Main-buck Shutdown</b>	Main-buck disabled, or in error to latched-OFF. See <a href="#">Protection Level 3</a> .	<b>any state EN=H</b> @ <b>iEN</b> ↓ @Main-buck <b>UVP</b> (Latch-off) @ <b>SYNC Input Error Latch-off</b> @ <b>Over-Voltage Protection</b> @ <b>Over-Current Protection</b>	<b>Bias Ready</b> @Shutdown Completed
<b>Main-buck Error</b>	Main-buck in error to auto-restart. See <a href="#">Protection Level 4</a> .	<b>any state EN=H</b> @Main-buck <b>UVP</b> (Hiccup) @ <b>SYNC Input Error Hiccup</b> @ <b>Soft TSD</b>	<b>Main-buck Ramp</b> @Hiccup Time-out or <b>Bias Ready</b> @ <b>iEN</b> ↓

The STM controls the device by the [State Diagram](#) below.

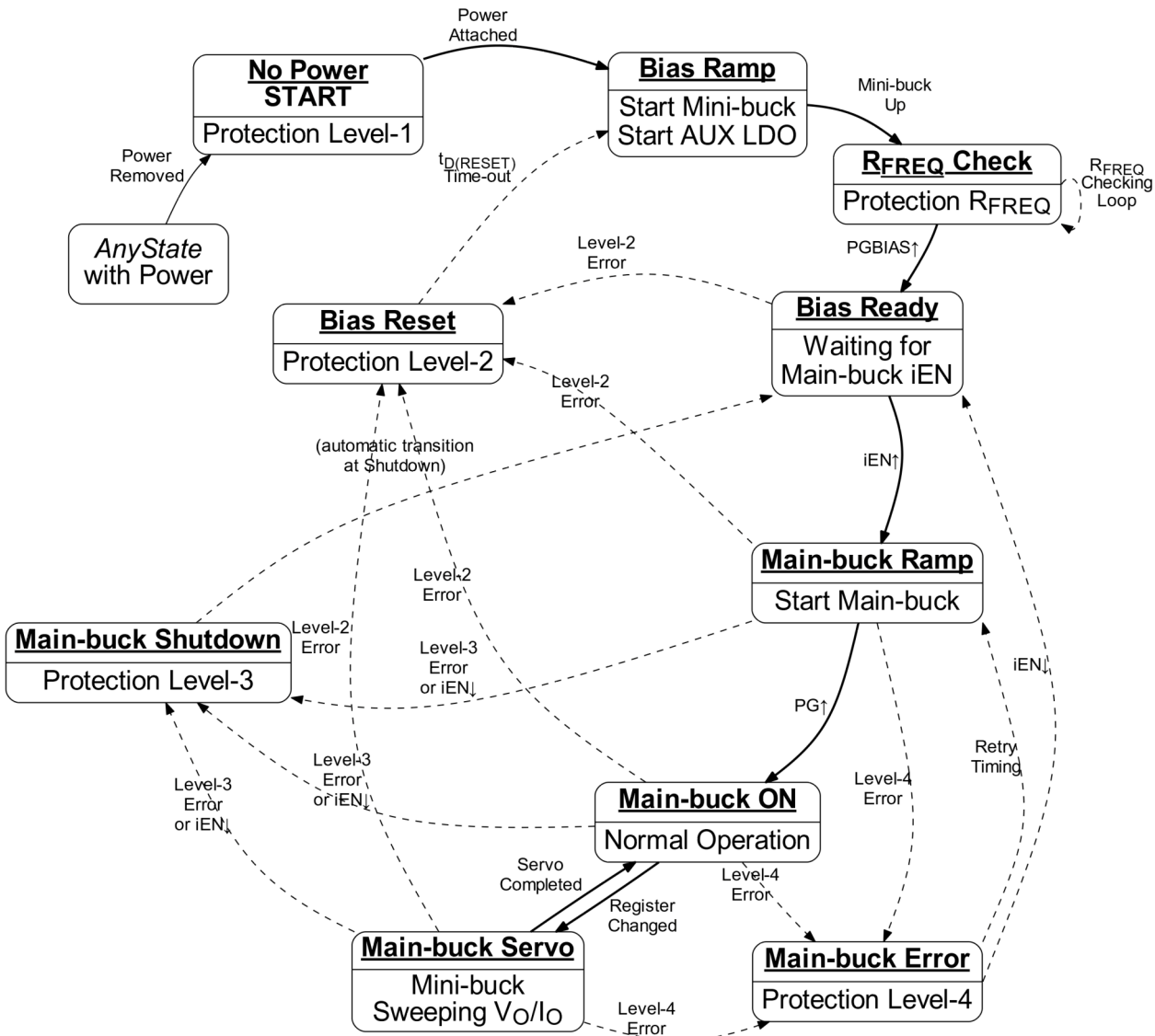



Figure 36. State Diagram

## I<sup>2</sup>C Interface

This I<sup>2</sup>C block offers a detailed control interface of the ACT4752 device to a host controller device. Through-out the I<sup>2</sup>C interface (at the SCL and SDA pins), the host device can

1. read various status bits of the device,
2. write various setting bits to control behaviors of the device and read back those setting bits.

 The I<sup>2</sup>C block is fully activated and ready (to communicate) when the [PGBIAS Indicator Output](#) becomes logic-H (good).

See [I<sup>2</sup>C Registers](#) for contents and meaning of the I<sup>2</sup>C registers. This section explains how to access, how to program these registers.

The device complies with the I<sup>2</sup>C-bus specification (UM10204).

The SCL and SDA pins are open-drain and a pair of pull-up resistors are required.

See [SCL/SDA Pull-up Resistance](#) for the resistor value selection.



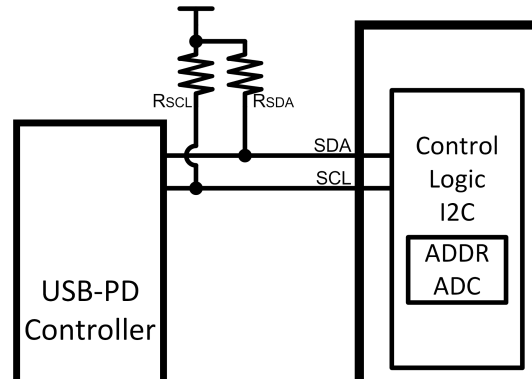


Figure 37. I<sup>2</sup>C Block

### I<sup>2</sup>C Address Selection


By sensing the value of the R<sub>ADDR</sub> resistor between the ADDR pin and the ground, the I<sup>2</sup>C block selects one of six I<sup>2</sup>C address options, so to avoid address collisions when using multiple ACT4752 devices sharing one I<sup>2</sup>C bus. See Figure 37. This I<sup>2</sup>C address selection is directly tied to a selection of the Role of Clock Generator and columns "Clock Role", "SYNC pin" and "SYNC Polarity" in the Table 28 are there for the Clock Generator block.

Table 28. I<sup>2</sup>C Address with Clock Role

R <sub>ADDR</sub>	I <sup>2</sup> C Address (START)...MSB...LSB...(R/W bit)	Clock Role	SYNC pin	SYNC Polarity
GND Short	00 01 00 0	Stand-alone	Disabled	N/A
20 kΩ	00 01 00 1	Clock-slave	Input	SYNC ↑
30 kΩ	00 01 01 0	Clock-slave	Input	SYNC ↓
40 kΩ	00 01 01 1	Clock-slave	Input	SYNC ↑
50 kΩ	00 01 10 0	Clock-slave	Input	SYNC ↓
(open)	00 01 10 1	Clock-master	Output	N/A

### I<sup>2</sup>C Protocol Implementation

The I<sup>2</sup>C implementation of the device is explained in the Figure 38.

 The Figure 38 is a scalable drawing, can be zoomed in on a PDF reader software or can be printed in a large size paper, for an ease of readability.

In the Figure 38, there are four different scenarios I<sup>2</sup>C READ or WRITE command sequences. From left to right in the figure (or from top to bottom in a landscape view), these sequences are shown.

1. "One byte WRITE" to a register
2. "Multi-byte WRITE" to registers
3. "one byte READ" from a register, plus another "one byte READ" without setting a target read register
4. (folded back, remaining portion of "3. one byte READ")  
followed by  
(folded back, remaining portion of "5. multi-byte READ")
5. "Multi-byte READ" from registers

### I<sup>2</sup>C One byte WRITE

Writing one byte of data into a target register is completed by one 3-byte I<sup>2</sup>C WRITE command.

The one byte WRITE command byte format is

1. I<sup>2</sup>C START
2. I<sup>2</sup>C ACT4752 (target) device address
3. One zero bit for "write"
4. I<sup>2</sup>C ACK from the ACT4752  
(This is the end of the 1st byte.)
5. Target ACT4752 register address  
(See Table 1.)
6. I<sup>2</sup>C ACK from the ACT4752  
(This is the end of the 2nd byte.)
7. Register value to write
8. I<sup>2</sup>C ACK from the ACT4752  
(This is the end of the 3rd byte.)
9. I<sup>2</sup>C STOP

### I<sup>2</sup>C Multi-byte WRITE

Writing multi-byte of data into target registers is completed by one multi-byte I<sup>2</sup>C WRITE command.

The multi-byte WRITE command byte format is

1. I<sup>2</sup>C START
2. I<sup>2</sup>C ACT4752 (target) device address
3. One zero bit for "write"
4. I<sup>2</sup>C ACK from the ACT4752  
(This is the end of the 1st byte.)
5. The first/starting target ACT4752 register address, **assume the address is "N"** (See Table 1.)
6. I<sup>2</sup>C ACK from the ACT4752

See "Reg Pointer" that the device sets the target register to "N", at the timing of the ACK.

(This is the end of the 2nd byte.)

7. Register value to write to the "N" register
8. I<sup>2</sup>C ACK from the ACT4752

See "Reg Pointer" that the device automatically increments the target register at the timing of the ACK. So the next write data goes to "N+1".

(This is the end of the 3rd byte.)

9. Register value to write to the "N+1" register
10. I<sup>2</sup>C ACK from the ACT4752

Another "Reg Pointer" increment to "N+2" at the ACK.

(This is the end of the 4th byte.)

11. Register value to write to the "N+2" register
12. I<sup>2</sup>C ACK from the ACT4752

Another "Reg Pointer" increment to "N+3" at the ACK, though the "N+3" is not used in this example.

(This is the end of the 5th byte.)

13. I<sup>2</sup>C STOP

## I<sup>2</sup>C One byte READ

Reading one byte of data from a target register is completed by a combination of

- a. one 2-byte I<sup>2</sup>C WRITE command and
- b. one 2-byte I<sup>2</sup>C READ command.

The one byte READ command sequence is

1. I<sup>2</sup>C START
2. I<sup>2</sup>C ACT4752 (target) device address
3. One zero bit for "write"
4. I<sup>2</sup>C ACK from the ACT4752  
(This is the end of the 1st byte in "WRITE".)
5. Target ACT4752 register address, **assume the address is "N"**  
(See Table 1.)
6. I<sup>2</sup>C ACK from the ACT4752

See "Reg Pointer" that the device sets the target register to "N", at the timing of the ACK.

(This is the end of the "WRITE" command.)

7. I<sup>2</sup>C REPEATED START
8. I<sup>2</sup>C ACT4752 (target) device address
9. One high bit for "read"
10. I<sup>2</sup>C ACK from the ACT4752  
(This is the end of the 1st byte in "READ".)
11. The ACT4752 device send out the requested register data from "**N**"

Note that at 5th SCL of this data sending action, the device increments the "Reg Pointer" value to "N+1". whether this byte date is successfully sent out or not (like a case of the host cancel the communication by a sudden STOP), the pointer is incremented at the 5th SCL.

12. I<sup>2</sup>C NACK from the host device  
(This is the end of the "READ" command.)
13. I<sup>2</sup>C STOP  
(This is the end of one byte "READ" sequence.)

Now, see what happens just sending a "READ" command without a leading "WRITE" command setting a target register. There may be some commands on this bus where "other slave devices" involved (not this device).

14. I<sup>2</sup>C START
15. I<sup>2</sup>C ACT4752 (target) device address
16. One high bit for "read"
17. I<sup>2</sup>C ACK from the ACT4752  
(This is the end of the 1st byte in "READ".)
18. The ACT4752 device send out the register data from "**N+1**"

Here is the key point in this example. The "Reg Pointer" stays at "N+1" from the step "11." So just sending a "READ" command without a "WRITE" command results in reading a "next register" from the last time.

19. I<sup>2</sup>C NACK from the host device  
(This is the end of the 2nd "READ" command.)
20. I<sup>2</sup>C STOP

This example "14...20" illustrates that it requires a pair of WRITE and READ commands to access a certain register repeatedly. Because every time a READ action happens the device increments the "reg pointer", a WRITE command is required to reset the "reg pointer".

## I<sup>2</sup>C Multi-byte READ

Reading multi-byte of data from target registers is completed by a combination of

- a. one 2-byte I<sup>2</sup>C WRITE command and
- b. one multi-byte I<sup>2</sup>C READ command.

When sending multiple bytes in a READ command, the device automatically increment the target register one-by-one at the timing of 5th SCL as explained in the [I<sup>2</sup>C One byte READ](#) section.

The multi-byte READ command sequence is

1. I<sup>2</sup>C START
2. I<sup>2</sup>C [ACT4752](#) (target) device address
3. One zero bit for "write"
4. I<sup>2</sup>C ACK from the [ACT4752](#)  
(This is the end of the 1st byte in "WRITE".)
5. Target [ACT4752](#) register address, **assume the address is "N"**  
(See [Table 1.](#))
6. I<sup>2</sup>C ACK from the [ACT4752](#)

See "Reg Pointer" that the device sets the target register to "N", at the timing of the ACK.

(This is the end of the "WRITE" command.)

7. I<sup>2</sup>C REPEATED START
8. I<sup>2</sup>C [ACT4752](#) (target) device address
9. One high bit for "read"
10. I<sup>2</sup>C ACK from the [ACT4752](#)  
(This is the end of the 1st byte in "READ".)
11. The [ACT4752](#) device send out the requested register data from "**N**"

Because the "Reg Pointer" is "N" at the beginning of this byte, the device sends out data from "N". In parallel, the device increments the "Reg Pointer" to "N+1" at 5th SCL.

12. I<sup>2</sup>C ACK from the host device to continue reading data  
(This is the end of the 2nd byte in "READ".)
13. The [ACT4752](#) device send out the "**N+1**" data

The "Reg Pointer" is "N+1" at the beginning of this byte, the device sends out data from "N+1". In parallel, the device increments the "Reg Pointer" to "N+2" at 5th SCL.

14. I<sup>2</sup>C ACK from the host device to continue reading data  
(This is the end of the 3rd byte in "READ".)
15. The [ACT4752](#) device send out the "**N+2**" data

Another "Reg Pointer" increment.

16. I<sup>2</sup>C NACK from the host device  
(This is the end of the "READ" command.)
17. I<sup>2</sup>C STOP

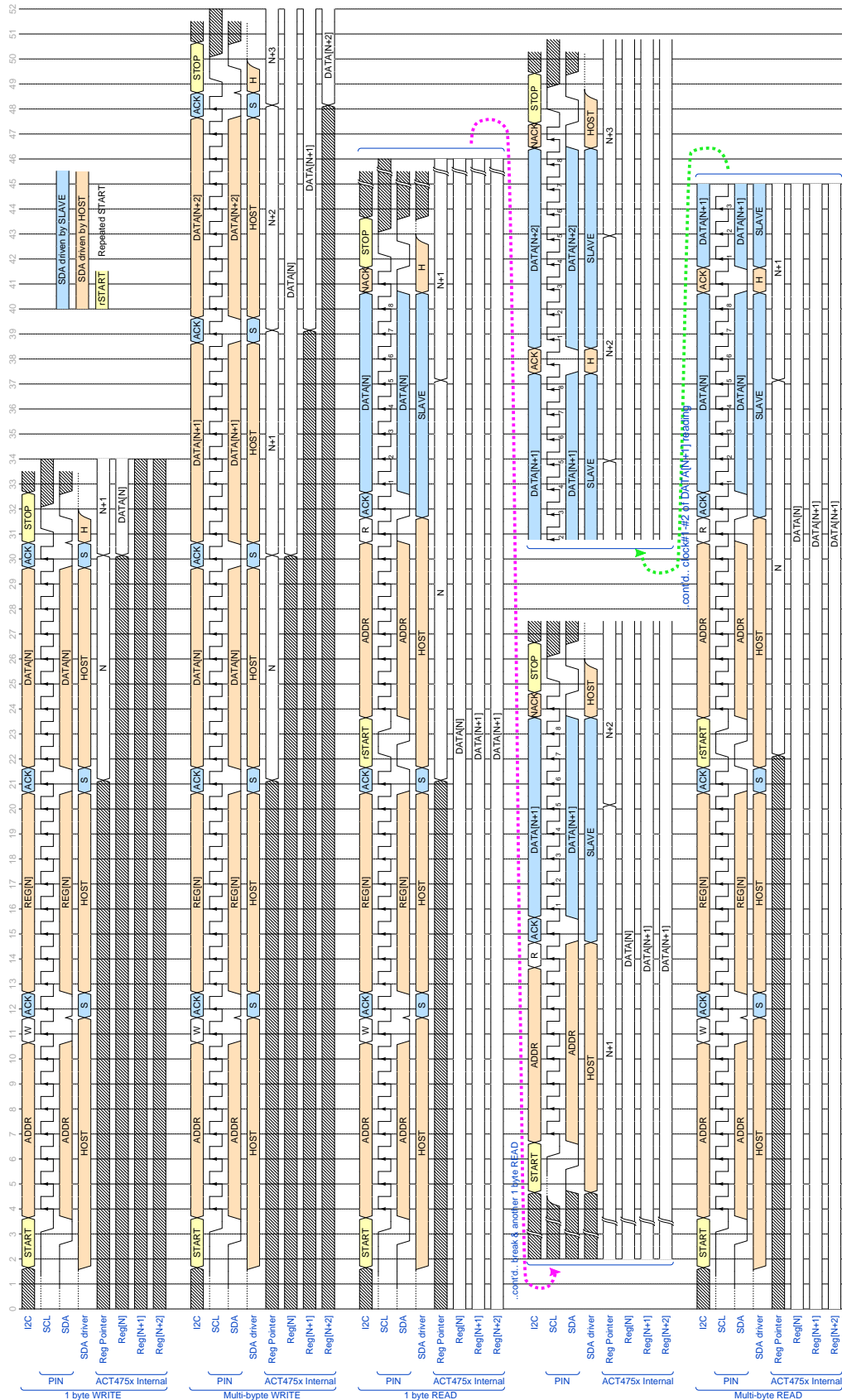


Figure 38. I<sup>2</sup>C Communication Waveforms (supports zoom in from a PDF viewer)

## Under-Voltage Lock-Out

The Under-Voltage Lock-Out (UVLO) function prevents the ACT4752 device working under too low input voltage at the VIN pin. As the VIN pin is connected to the PVIN pin on a PCB, the UVLO monitors PVIN too.

When the VIN pin voltage is below the  $V_{IT(UVLO)}$  threshold, the device disables all the functions but this UVLO circuit. During this UVLO period, the device minimizes power consumption and wait for the VIN pin voltage rises into a valid range. When the VIN pin voltage exceeds the  $V_{IT(UVLO)}$  threshold, the device starts working, by following the [Control Logic](#) state-machine. Once the UVLO released, the device keeps working as long as VIN pin voltage maintains higher than the  $V_{IT(UVLO,fall)}$  threshold that has a hysteresis from the  $V_{IT(UVLO)}$  value.

## Over-Voltage Lock-Out

The Over-Voltage Lock-Out (OVLO) function prevents the ACT4752 device working from too high input voltage at the VIN pin. As the VIN pin is connected to the PVIN pin on a PCB, the OVLO monitors PVIN too.

When the VIN pin voltage exceeds the  $V_{IT(OVLO)}$  threshold, the device disables all the functions but this OVLO circuit. During this OVLO period, the device minimizes power consumption and wait for the VIN pin voltage decrease back into a valid range.

When the VIN pin voltage gets back normal (under  $V_{IT(OVLO,fall)}$ ), the device starts working, by following the [Control Logic](#).

The [Reg01\[0\]](#) bit is set logic-H to indicate this error.



This OVLO does not protect the device from any potential damage caused by over-voltage events. See [Note of Absolute Maximum Rating](#).

The OVLO is only intended to reduce a risk of a chain-reaction that the VIN/PVIN over-voltage event triggers by disabling all output rails of the device.

## Factory Programmed ROM

The ACT4752 integrates a read-only memory (ROM) block and that is programmed at its factory test. The data contents of the ROM configure various behaviors of the device and also some of the contents are default values of I<sup>2</sup>C registers. When the [Under-Voltage Lock-Out](#) released, the [Control Logic](#) state-machine activates the ROM block as its first step and the STM configures itself according to the ROM values.

See [Factory Programming Options](#).

## BIAS Blocks

The ACT4752 employs several bias voltage and bias current reference circuits those are necessary to maintain proper operations of regulator blocks. When the [Under-Voltage Lock-Out](#) released, the [Control Logic](#) state-machine activates these reference and bias circuits before starting the [Mini-buck Regulator](#).

## Mini-buck Regulator

Most of ACT4752 device circuit blocks are designed to operate under a 5 V supply from the V5V pin and this 5 V mini-buck switching regulator generates the 5 V bias at the  $V_{O(V5V)}$  target. The mini-buck employs an internally compensated, constant ON time (COT) control.

The mini-buck supplies up to 350 mA of output current by step-down converting power from the VIN pin. From the SW5V pin to the GND5V pin, a **Mini-buck LC Output Filter** is required. The output of this LC filter is connected to the V5V pin.

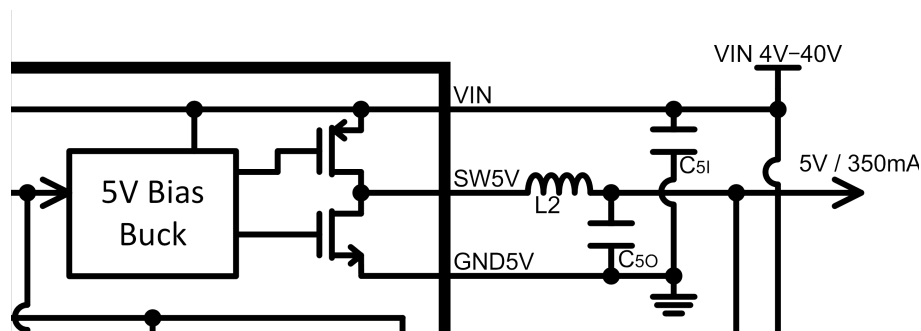


Figure 39. Mini-buck Regulator with an LC Output Filter



The V5V pin is the supply of control circuits in the **Main-buck Regulator** and characterized at 5.0 V. The device is designed to be functional down to the  $V_{UV(PV5V)}$  threshold but near 4 V supply may not deliver its full performance. A short event at the V5V pin may cause a potential damage.

## Mini-buck Enable

The mini-buck regulator generates a fundamental 5 V bias supply of the entire device operation, by default, the **Control Logic** state-machine enables the mini-buck as soon as both **Under-Voltage Lock-Out** and **Over-Voltage Lock-Out** are released. And the mini-buck keeps ON all the time.

## V5V, External 5V Supply

When there is a 5 V power supply always available in target systems, the mini-buck can be disabled by setting the  $I^2C$  Reg09[1] to logic-L to save power loss from its switching.

## Mini-buck Power-Good

Whether the mini-buck is enabled or disabled, there is a voltage comparator monitoring the V5V pin to the  $V_{IT(V5V)}$  target. See **PGBIAS Indicator Output**.

## Mini-buck Soft-start

The mini-buck regulator executes a soft-start (slow-start) operation when enabled so to avoid in-rush current. This soft-start time is specified by the  $t_{SS(V5V)}$  parameter and the device sweep its internal reference voltage from 0% to 100% in the  $t_{SS(V5V)}$  period.

During this soft-start period, the mini-buck forces to use, so called, pulse-skip operation so to achieve smooth ramp up of the output voltage and it ignores the  $I^2C$  Reg0F[5] setting.

## Mini-buck Start-up into Pre-biased Output

The mini-buck supports a start-up into a pre-biased output without any huge discharge current from the output.

Without this feature, a regulator circuit may discharge huge amount of current from its output capacitance so to force the output voltage closer to a reference voltage target of its soft-start operation during the internal reference voltage is lower than the pre-biased output by starting from 0%.

See **Mini-buck Soft-start**.

By preventing its switching operation until the reference target of the soft-start reaches to its pre-biased level, the ACT4752 device avoids the discharge event and achieves a smooth ramp up of the 5 V bias.

## Mini-buck Switching Operations

### Mini-buck Forced Continuous Conduction Operation


By setting I<sup>2</sup>C Reg0F[5] to Logic-H, the device operates in a forced continuous conduction mode (FCCM). With this FCCM operation, the regulator maintains its switching frequency to meet the  $f_{SW(V5V)}$  target. This  $f_{SW(V5V)}$  parameter ensures that its operation frequency do not interfere with AM radio frequency by staying above the AM band.

### Mini-buck Pulse-skip Operation

By setting I<sup>2</sup>C Reg0F[5] to Logic-L, the device operates in a pulse-skipping mode, or so-called, in a light-load efficiency mode.

When its load current goes low, the inductor (coil) current starts flowing in reverse direction (negative current). As the regulator detects continuous reverse current flow cycles, it activates the pulse-skip operation by blocking the reverse current flow.

By blocking a reverse current flow, an energy amount delivered during one switching period is bigger than the one period energy amount of FCCM operation and the output has a bigger ripple voltage. This bigger ripple results in less switching events to reduce power loss related to a switching action. So it improves its conversion efficiency.

 During this pulse-skip operation, its switching frequency may stay inside AM radio frequency band.


### Mini-buck 100% Duty Operation

When the VIN pin voltage is close to the target output voltage  $V_{O(V5V)}$ , the mini-buck gets into 100% duty mode by setting I<sup>2</sup>C Reg0F[7].

Without this 100% duty mode (disabled), the device is designed to output a minimum OFF period at each cycle, even though its internal PWM comparator continuously demands more ON duty. This minimum OFF pulse helps to stay at its target switching frequency but it is not desirable when the input voltage is very close to the output as the output voltage starts dropping.

When the 100% duty mode is enabled, the device stops forcing the minimum OFF pulse and the high-side FET maintains ON for multiple cycles without turning OFF as long as the PWM comparator indicates low feedback voltage. This 100% duty operation helps bringing the output voltage close to the input.

Reg03[5] is set logic-H to indicate that the regulator is in 100% duty operation.

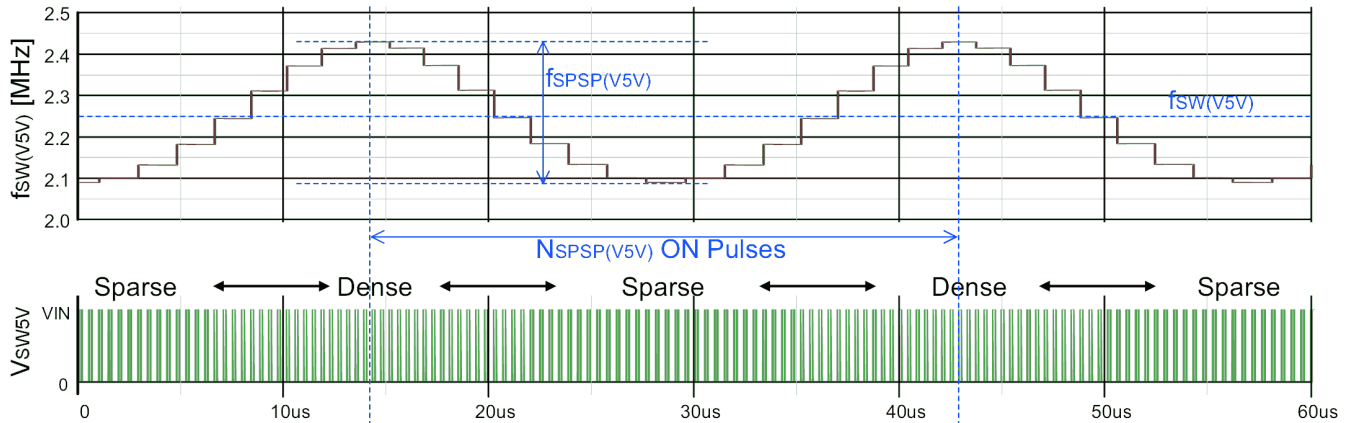
 This 100% duty operation lowers its switching frequency and may stay at AM radio frequency band.

### Mini-buck Spread-spectrum Operation

The mini-buck provides a spread-spectrum switching frequency control by setting I<sup>2</sup>C Reg0F[6].

By activating the spread-spectrum function, the regulator modulates its switching frequency in the range of the  $f_{SPSP(V5V)}$  parameter and it repeats this frequency dithering action by the  $N_{SPSP(V5V)}$  times of switching period. The spread-spectrum operation improves its EMI performance by lowering noise peaks.





**Figure 40. Mini-buck Regulator Spread-spectrum Operation**

### Mini-buck EMI Tune-up

For the purpose of improving its EMI performance, this mini-buck provides programmable switching node slew rate. By changing the I<sup>2</sup>C Reg0F[4:3] for the high-side gate and I<sup>2</sup>C Reg0F[2:1] for the low-side gate, an application system designer can balance the tradeoff between its power conversion efficiency and its EMI noise level. By selecting slower transient rate, the noise performance improves; faster transient rate improves the efficiency.

See [Table 25](#) for the high-side gate available options and see [Table 26](#) for the low-side gate available options.

### Mini-buck Over-Current Protection

The over-current protection (OCP) limits its output current below the I<sub>OCP(V5V)</sub> threshold so to protect integrated FET devices. When the output current exceeds this threshold, the device triggers the over-current protection.

The Reg02[2] is set logic-H to indicate this error.

See [Executing Protections](#) for the execution of this protection.

### Mini-buck Over-Voltage Protection

The over-voltage protection (OVP) monitors and maintains the V5V pin voltage not to exceed the V<sub>OVP(V5V)</sub> threshold. For any reason, it exceeds the threshold, the device triggers the over-voltage protection.

The Reg02[1] is set logic-H to indicate this error.

See [Executing Protections](#) for the execution of this protection.

### Mini-buck Under-Voltage Protection

The under-voltage protection (UVP) monitors the V5V pin voltage at the drops the V<sub>UVP(V5V)</sub> threshold. For any reason, it falls below the threshold, the device triggers the under-voltage protection.

The Reg02[0] is set logic-H to indicate this error.

See [Executing Protections](#) for the execution of this protection.

To avoid triggering this under-voltage protection during its start-up period, the device masks this protection for a timer period of the t<sub>D(V5V,mask)</sub> parameter when the [Mini-buck Soft-start](#) procedure starts. As this t<sub>D(V5V,mask)</sub> timer expires, the device activates this under-voltage protection.

### Auxiliary LDO

For the purpose of supporting one another small power rail, the ACT4752 integrates an auxiliary 20 mA LDO. This AUX LDO is powered by the V5V pin and its output voltage is regulated at the  $V_{O(VLDO)}$  target. Between the VLDO pin and the GND5V pin, an [AUX LDO Output Capacitors](#) is required.

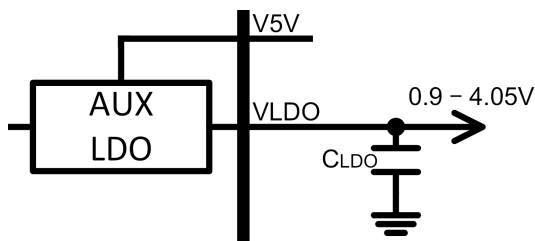


Figure 41. AUX LDO Regulator

### AUX LDO Enable

The AUX LDO is activated automatically when the V5V pin voltage exceeds the  $V_{IT(V5V)}$  threshold. See [Mini-buck Regulator](#). In case of application where this power rail is not needed, the AUX LDO can be disabled by setting the I<sup>2</sup>C [Reg09\[0\]](#) to logic-L to save power.

### AUX LDO Soft-start

To avoid a big inrush current, the AUX LDO execute a soft-start procedure. This soft-start sweeps its reference voltage from 0% to 100% in the  $t_{SS(LDO)}$  target period.

### AUX LDO Power-Good

There is a comparator monitoring the VLDO pin voltage. The output signal from this comparator is device internal. This comparator does trigger no event in the [Control Logic](#) state-machine "main" sequence flow but, once the AUX LDO is activated, it can trigger an "error" flow after the [AUX LDO Soft-start](#) operation completed.

### AUX LDO Output Voltage Programming

The output voltage of the AUX LDO is programmable from 0.9 V to 4.05 V in 50 mV step by the I<sup>2</sup>C [Reg0D\[5:0\]](#). See [Table 21](#) for a target code to program and this table is calculated by the [Eq.\(1\)](#).

$$V_{LDO} = 0.9V + 50mV \times (\text{Reg0D}[5 : 0]) \tag{1}$$

It's default value is stored in the [Factory Programmed ROM](#). See [Factory Programming Options](#).

### AUX LDO Over-Current Protection

The over-current protection (OCP) limits its output current not to exceed the  $I_{OCP(VLDO)}$  threshold. When it exceeds, the AUX LDO reduces the output current in a fold-back manner. Because of this fold-back current action, the VLDO pin voltage eventually decreases to hit [AUX LDO Under-Voltage Protection](#).

### AUX LDO Under-Voltage Protection

The under-voltage protection (UVP) monitors the VLDO pin voltage at the  $V_{UVP(VLDO)}$  threshold. For any reason, it falls below the threshold, the device triggers the under-voltage protection.

See [Executing Protections](#) for the execution of this protection.

### PGBIAS Indicator Output

The PGBIAS pin is a dual role status indicator output. The PGBIAS is an open-drain type output and it requires a pull-up resistor. See [PGBIAS/PG Pull-up Resistance](#) for its value selection.

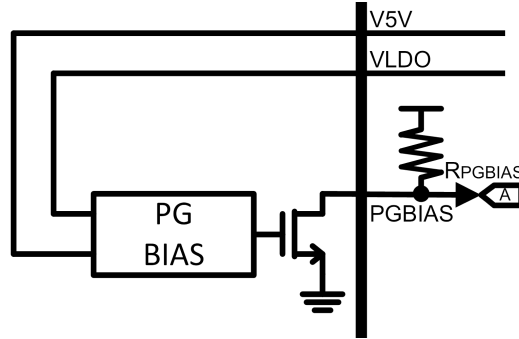


Figure 42. PGBIAS Block

### Bias Block Power-good

Before activating the [Main-buck Regulator](#), the device needs to start-up all the supporting bias blocks those includes [Mini-buck Regulator](#), [Clock Oscillator](#) and so on. Based on various internal block status signals, the PGBIAS pin indicates whether the device is ready to activate the Main-buck or not.

When the device is ready to activate the main-buck, the PGBIAS pin becomes logic-H. That means the PGBIAS pin at logic-L indicates it's not ready.

And also the PGBIAS pin indicates the [I<sup>2</sup>C Interface](#) block is ready.

### PGBIAS Delay Time

There is a programmable time delay from an internal timing the device ready to release the PGBIAS to an actual PGBIAS rising edge so to adjust timing between the device and a host micro-controller.

This delay is set by the [I<sup>2</sup>C Reg08\[4:3\]](#). See [Table 12](#) for available options.

### Interrupt Output

The PGBIAS pin is double purposed to output an interrupt signal to a host micro-controller.

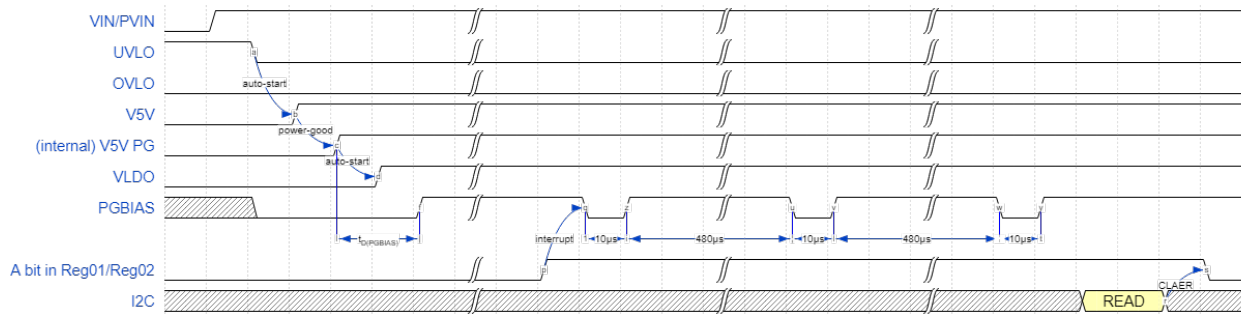
The device can disable this interrupt output by setting the [Reg08\[5\]](#) logic-H. With this bit at logic-H, the device only output the [Bias Block Power-good](#) signal.

Because it is invasive to certain micro-controllers those cannot program to distinguish a "power-good or power-not-good" signal from an interrupt, this double purposed interrupt output function is disabled by default.

When any bits in [Reg01](#) and [Reg02](#) becomes logic-H from logic-L, this transition generates an interrupt event. This interrupt event causes a repeated narrow logic-L pulses from the PGBIAS pin. A timing sequence of this interrupt event indicator is described in this list.

1. Starting from PGBIAS is at logic-H (good).
2. Output 10  $\mu$ s of logic-L pulse at the PGBIAS pin and return back to logic-H.
3. Start a 480  $\mu$ s timer and waits for an I<sup>2</sup>C read command to the register, causing this interrupt, from an I<sup>2</sup>C host.
4. When a read command comes in, clear the [Reg01](#) and [Reg02](#) and complete the interrupt sequence.
5. If there's no read command, repeat "2."

This sequence is shown in [Figure 43](#).



**Figure 43. Interrupt Timing Diagram**

When a host micro-controller is programmed to read the I<sup>2</sup>C registers every time when the PGBIAS pin becomes logic-L, the host can receive and distinguish two types of notifications from the PGBIAS pin: a "power-good or power-not-good" signal and an interrupt signal.

The default value of the Reg08[5] bit is logic-H to disable the interrupt output. To enable the interrupt, a host controller needs to write logic-L at this bit during an initial I<sup>2</sup>C communication session.

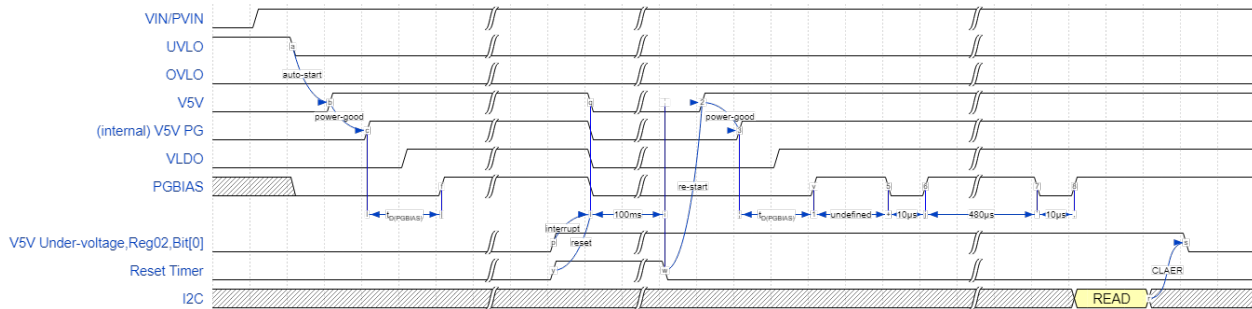
### Interrupt with Reset

Many of interrupt trigger events executes the [Reset Sequence](#). As long as the VIN pin voltage is valid, the device is designed to maintain its logic status including register values so that a micro-controller can obtain the cause of a reset after the reboot.

The timing diagram, with a reset sequence involved, is shown in [Figure 44](#).



Note that the device maintains logic-H value of one or more bits in Reg01 and/or Reg02. That means the device starts sending an interrupt pulse sequence immediately after the reboot event. Further note that the pulse timing of this interrupt sequence is continued, inside the device, from the original trigger event. So the time position of first interrupt logic-L pulse after the reboot is undefined.



**Figure 44. Interrupt Timing Diagram with a Reset**

### Thermal Protection

The ACT4752 provides a multi-level thermal protection from an over-heating related damages. Both level of protections is working as a thermal shutdown (TSD) but different level of "shutdown" actions applied.

See [Executing Protections](#).

#### Soft TSD

When the device junction temperature  $T_J$  exceeds the  $T_{SD(SOFT)}$  threshold, the "soft TSD" triggered.

The "soft TSD" shuts down the [Main-buck Regulator](#) as it is the major source of power loss and causing this high  $T_J$  situation. But this level of protection maintains [Mini-buck Regulator](#) and [Auxiliary LDO](#) so that a host microprocessor can figure out the reason of shutdown through the I<sup>2</sup>C interface.

The Reg01[2] bit is set logic-H to indicate this protection.

The "soft TSD" maintains the OFF state for the  $t_{W(HICCUP)}$  period, then it auto-restarts the [Main-buck Regulator](#) when the  $T_J$  becomes cooled down below the  $T_{SD(OFF)}$  threshold.

### Hard TSD

In a case the  $T_J$  rises very quickly to hit the  $T_{SD(HARD)}$  threshold just after passing  $T_{SD(SOFT)}$  threshold, the device shuts down all the blocks by executing the [Reset Sequence](#).

Before hitting this "hard TSD", it is expected that the "soft TSD" prevents  $T_J$  rising by stopping the [Main-buck Regulator](#) because the  $T_{SD(HARD)}$  is higher than the  $T_{SD(SOFT)}$ . So only severe  $T_J$  rising event causes the "hard TSD" like a sudden output short while supplying the maximum current.

The [Reg01\[3\]](#) bit is set logic-H to indicate this protection.

### Clock Generator

The ACT4752 provides a multi-function clock generator for the **Main-buck Regulator**. This generator consists of a self-running, programmable **Clock Oscillator**, a phase-locked loop (PLL) **Clock Synchronizer** to an external clock source, and a **Switching Frequency Selector**.

#### Role of Clock Generator

The role of this generator is selected at the same time of the **I<sup>2</sup>C Address Selection**. Each of available I<sup>2</sup>C address options is directly assigned to a role as shown in **Table 28**. When choosing the I<sup>2</sup>C address, the role is decided too.

#### Stand-alone

The stand-alone role is suitable for a situation that only one ACT4752 device is on a PCB. The **Clock Oscillator** block is used for this roles so to use the oscillator for its own switching timing.

This role configures the **SYNC Disabled**.

#### Clock-master

The clock-master role is chosen for a situation that this unit is a master of synchronized operation where multiple units of ACT4752 are on one PCB. The **Clock Oscillator** block is used for this role so to use the oscillator for its own and sharing switching timing.

This role configures the **SYNC to Output Clock**.

#### Clock-slave

The clock-slave role is chosen for a situation that there is an external clock source available to follow. The **Clock Synchronizer** block is used for this role so to follow an external clock source by synchronizing to it. This type of situations is typically in these 2 cases.

1. Multiple units of ACT4752 are on one PCB and there is a clock-master unit (, not this unit). This unit follows the master.
2. There is a stable system clock source, like a crystal oscillator, on a PCB. This unit follows the oscillator.

This role configures the **SYNC to Input External Clock**.

The **Stand-alone** role and the **Clock-master** role are similar, in terms of running the **Clock Oscillator** to self generate its own clock. The difference is that the stand-alone role can't not share the clock, on the other hand, the clock-master do share its clock at the SYNC **output** pin.

Function-wise, the clock-master is a superset of the stand-alone. The benefit of stand-alone role is a further power saving by not driving SYNC pin when a clock sharing is not needed.

#### Switching Frequency Selector

The R<sub>FREQ</sub> resistor selects a target operation switching frequency of the **Main-buck Regulator**. The R<sub>FREQ</sub> is connected between the FREQ pin and the ground.



The R<sub>FREQ</sub> resistor must be connected regardless of application usages. The R<sub>FREQ</sub> resistor should be placed between the FREQ pin and the AGND pin as close as possible with short PCB traces.

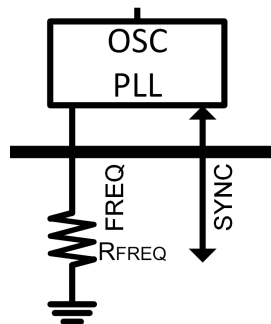


Figure 45. Clock Generator Block with R<sub>FREQ</sub>

Regardless of **Role of Clock Generator**, the device detects the R<sub>FREQ</sub> value for the use of tuning internal loop compensation parameters. This R<sub>FREQ</sub> detection is performed at the timing the **PGBIAS Indicator Output** becomes logic-H (good). The loop compensation parameter is a function of the **f<sub>SW(MAIN)</sub>**.

When selecting a role with the [Clock Synchronizer](#), use the [Table 29](#) for a target  $f_{SW(MAIN)}$  clock at the SYNC input pin.

**Table 29. Clock-slave, R<sub>FREQ</sub> Selection**

$f_{SW(MAIN)}$ Range	R <sub>FREQ</sub>
450 kHz to 600 kHz	178 kΩ
600 kHz to 900 kHz	120 kΩ
900 kHz to 1.20 MHz	85.7 kΩ
1.20 MHz to 1.50 MHz	66.7 kΩ
1.50 MHz to 1.80 MHz	54.5 kΩ
1.80 MHz to 2.10 MHz	46.2 kΩ
2.10 MHz to 2.25 MHz	40.0 kΩ

The [Recommended R<sub>FREQ</sub> Range](#) is between 40 kΩ and 200 kΩ.

When selecting a role with the [Clock Oscillator](#), **follow the** [Table 30](#).

### R<sub>FREQ</sub> Protection

To protect the device (trying to) working at a switching frequency value out of supported range, the device validates R<sub>FREQ</sub> value at the timing of the R<sub>FREQ</sub> value detection. When R<sub>FREQ</sub> is out of the [Recommended R<sub>FREQ</sub> Range](#), the device triggers a R<sub>FREQ</sub> error.

And the [Reg01\[4\]](#) bit is set logic-H to indicate this error.

See [R<sub>FREQ</sub> Check Loop](#) for the execution of this protection.

### Clock Oscillator

A device of [Clock-master](#) or [Stand-alone](#) role activates this oscillator block.

This oscillator generates a main-buck switching clock signal based on the R<sub>FREQ</sub> resistor value. The frequency range can be programmed between 450 kHz and 2.25 MHz by following [Eq.\(2\)](#).

$$f_{SW(MAIN)} = \frac{90 \times 10^9}{R_{FREQ}(\Omega)} \quad (2)$$

The [Table 30](#) lists some calculation examples.

**Table 30. Clock-master, R<sub>FREQ</sub> Selection**

R <sub>FREQ</sub>	$f_{SW(MAIN)}$
200 kΩ	450 kHz
...	...
85.7 kΩ	1050 kHz
...	...
54.5 kΩ	1.650 kHz
...	...
40.0 kΩ	2250 kHz

The [Recommended R<sub>FREQ</sub> Range](#) is between 40 kΩ and 200 kΩ.

### SYNC to Output Clock

For the purpose of applications requires a [Clock Synchronizer](#) feature, a [Clock-master](#) device outputs its clock signal generated by the [Clock Oscillator](#) at the SYNC **output** pin as a clock-master.

This output clock signal is used by slave devices.

Note that the SYNC pin is a bi-directional input/output pin. See [SYNC to Input External Clock](#).

### SYNC Disabled

A device of [Stand-alone](#) role disables the SYNC pin.  
See [SYNC to Output Clock](#) and [SYNC to Input External Clock](#).

### Clock Synchronizer

A device of [Clock-slave](#) role activates this synchronizer block.

In applications where multiple [ACT4752](#) devices are working together, each [Clock Oscillator](#) from multiple devices generate slightly different frequency of clock signals due to a unit-to-unit variations. This situation rises an EMI concern of low frequency beat.

To solve this EMI concern, the clock synchronizer follows one master clock source so to make all the devices working (synchronized) at the timing of this master clock.

The [Clock-slave](#) role paragraph explains two typical scenarios where a clock master is.

### SYNC to Input External Clock

The external clock source signal to the synchronizer is applied at the SYNC **input** pin so to follow (synchronize to) an external clock master signal.

Note that the SYNC pin is a bi-directional input/output pin. See [SYNC to Output Clock](#).

### SYNC Input Polarity

By synchronizing switching timings of multiple devices reduces the EMI concern, however, it causes multiple devices turning on at the same time to increase transient current noise.

To relieve this "same time ON" situation, the device in the [Clock-slave](#) role can select clock edge to follow the master. The synchronizer is designed to follow either one of

1. a rising edge of the SYNC **input** (SYNC $\uparrow$ ), or
2. a falling edge of the SYNC **input** (SYNC $\downarrow$ ).

This polarity selection is also done at the timing the I<sup>2</sup>C address is chosen from the [I<sup>2</sup>C Address Selection](#).

### SYNC Input Watch Dog Timer

In case an input signal at the SYNC pin is unstable, the main buck regulation becomes unstable. To avoid this sort of unreliable SYNC input situations, the device monitors frequency of the external clock source at the SYNC **input** pin. This circuit is a sort of watch dog timer (WDT) structure. This WDT circuit is based on the [Table 29](#) setting. When the input external clock signal is out of range between  $\Delta f_{\text{SYNC}(\text{low})}$  and  $\Delta f_{\text{SYNC}(\text{high})}$ , a "SYNC WDT Error" event is triggered.

The [Reg01\[5\]](#) bit is set logic-H to indicate this error. And the [Reg03\[7\]](#) or [Reg03\[6\]](#) bit indicates whether the input clock is higher or lower the range.

#### SYNC Input Error Hiccup Operation.

By setting the [Reg09\[2\]](#) bit at logic-L, this WDT repeats a "wait" and "retry" cycle, that is so called a "hiccup" operation. At the first time a WDT event happens, the device disables its switching operation for the  $t_{W(\text{HICCUP})}$  of time period, and then the device tries to restart. If its SYNC input signal becomes stable, the main buck regulator continues working as normal; if the SYNC input is still unstable, the devices goes into another disabled state for another  $t_{W(\text{HICCUP})}$  period to repeat the hiccup operation.

See [Protection Level 4](#) for the execution of this protection.

#### SYNC Input Error Latch-off Operation.

By setting the [Reg09\[2\]](#) bit at logic-H, the main-buck regulator latches the OFF status at the first WDT event.

See [Protection Level 3](#) for the execution of this protection.



### Output Voltage Reference

The ACT4752 integrates a digital-to-analog converter (DAC) for the purpose of generating the reference voltage, used by the Reference Voltage Input block and this DAC output is assigned at the DACOUT pin.

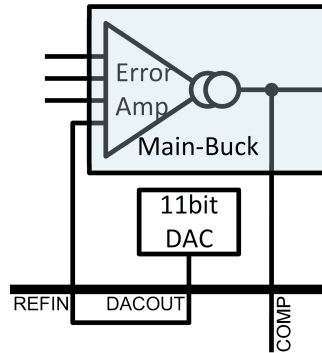


Figure 46. Output Voltage Reference

This DAC converts 11 bit data from [Reg0A\[7:0\]](#) and [Reg0B\[2:0\]](#) based on [Eq.\(3\)](#).

$$\begin{aligned} \text{DAC}_{\text{CODE}}[10 : 0] &= (\text{Reg0A}[7 : 0]), (\text{Reg0B}[2 : 0]) & (3) \\ V_{\text{DACOUT}} &= 1.5625(\text{mV}) \times (\text{DAC}_{\text{CODE}}[10 : 0]) \end{aligned}$$

See [Table 16](#) for this bit to voltage conversion table.

- ⚠ Because the device is designed to work with 5 V supply at the V5V pin, so VIN supply close to 4V may not be enough for its full performance even though the device is fully functional.
- ⚠ As shown in [Table 16](#), even though the I2C block accepts it as a valid data, any value above "0x780" is truncated as "0x780" to avoid an over-voltage condition.

### Loading New DACOUT Value

An attention is needed how to load the I<sup>2</sup>C register value into this DAC block. This is a unique situation in the device I<sup>2</sup>C operation.

Because the 11 bit DACOUT control data are stored in 2 different registers, [Reg0A\[7:0\]](#) and [Reg0B\[2:0\]](#), an I<sup>2</sup>C host must change these 2 registers one-by-one and there is a timing gap where new target value is half written. This timing gap could be a problem driving the DACOUT into wrong direction. To void this timing gap, there is a special "load command" so to load entire 11 bit without a timing gap.

When an I<sup>2</sup>C host finishes setting new DACOUT target value on both [Reg0A\[7:0\]](#) and [Reg0B\[2:0\]](#), then the host sets the [Reg05\[1\]](#) bit. A logic-H to this bit triggers the DAC block loads new target value as 11 bit data.

The DAC block only loads new target value at a trigger by this "load command" bit.

See [Servo Reference Control](#) and [Figure 48](#).

**Output Current Reference**

The ACT4752 integrates a current output, digital-to-analog converter (iDAC) for the purpose of generating the reference signal, used by the Programmable Current Limit block and this iDAC current output is assigned at the ILIM pin.

The iDAC converts 8 bit data from the Reg0C[7:0] bits based on Eq.(4).

$$I_{ILIM} = 391(nA) \times ((Reg0C[7 : 0]) + 1) \tag{4}$$

See Table 19 for this bit to current conversion table.

In a typical application, an external programming resistor  $R_{ILIM}$  is connected between the ILIM pin and the ground. The Programmable Current Limit block uses the voltage generated by the  $R_{ILIM}$  and the output current from this iDAC block as shown in the Eq.(5).

$$V_{ILIM} = R_{ILIM} \times I_{ILIM} \tag{5}$$

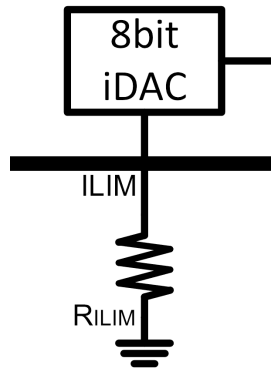


Figure 47. Output Current Reference

**Servo Reference Control**

For the purpose of smooth, on-the-fly controls of the Main-buck Regulator, the device integrates the servo reference control block between the I<sup>2</sup>C registers and the digital-to-analog converters. It controls the Output Voltage Reference and the Output Current Reference blocks.

The Figure 48 shows the structure of this servo control. The key components of this servo control are

1. two digital comparators, 11 bit one for Output Voltage Reference and 8 bit one for Output Current Reference, and
2. two up/down counters, 11 bit one for Output Voltage Reference and 8 bit one for Output Current Reference, and
3. a servo clock source and a clock divider.

For the servo block, input data comes from the I<sup>2</sup>C registers and the outputs from the up/down counters goes to Output Voltage Reference and Output Current Reference. The up/down counters keep incrementing or decrementing its output digital code as long as corresponding digital comparator results are not "A = B" by synchronized to the Servo Clock Divider.

With the servo control, any target value change event to the Output Voltage Reference and/or Output Current Reference are translated into a smooth step-by-step increment or decrement to avoid huge jumps. See On-the-fly Reference Programming.

The servo block can handle changes on both the Output Voltage Reference and Output Current Reference in parallel. For example, while in the middle of the Output Voltage Reference servo, new value set for Output Current Reference results in both references in servo, and vice versa.

This servo block is used in the Main-buck Soft-start too. See Loading New DACOUT Value.

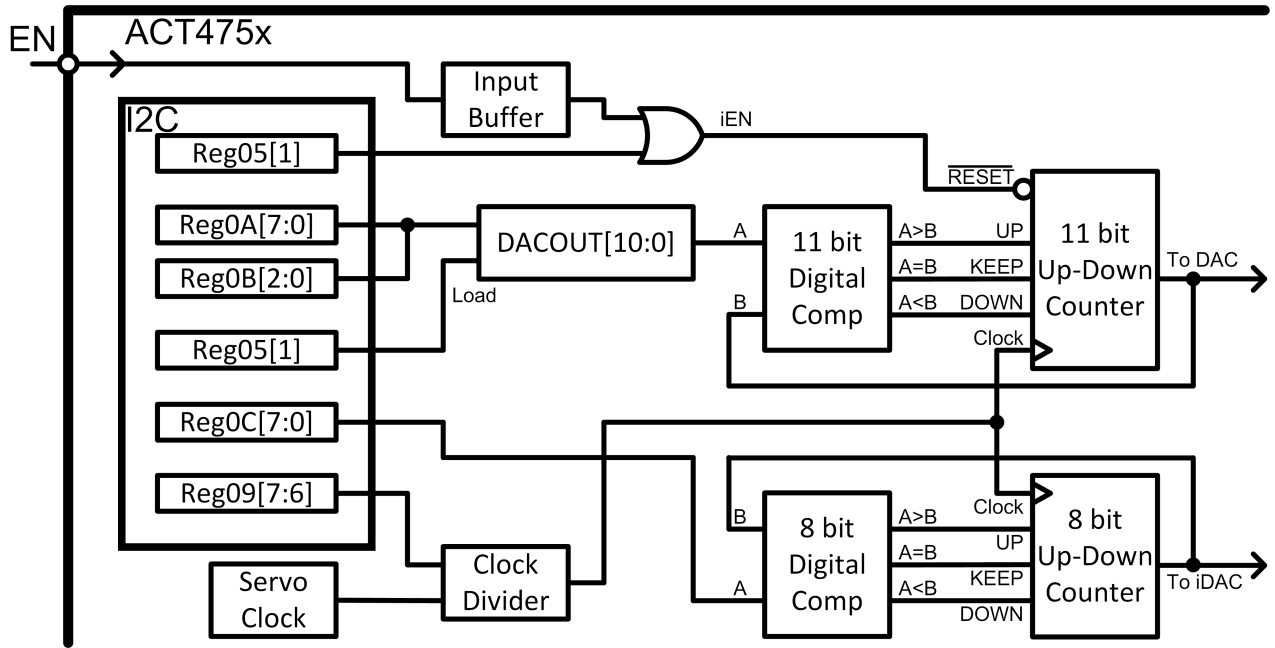


Figure 48. Servo Control Block

### Servo Clock Divider

To adjust the speed of servo transition, there is a clock divider between the servo master clock and the up/down counters. it is control by the [Reg09\[7:6\]](#) bits and see [Table 14](#) for available options.

### Main-buck Regulator

The main-buck is the main step-down switching regulator of the ACT4752 device.

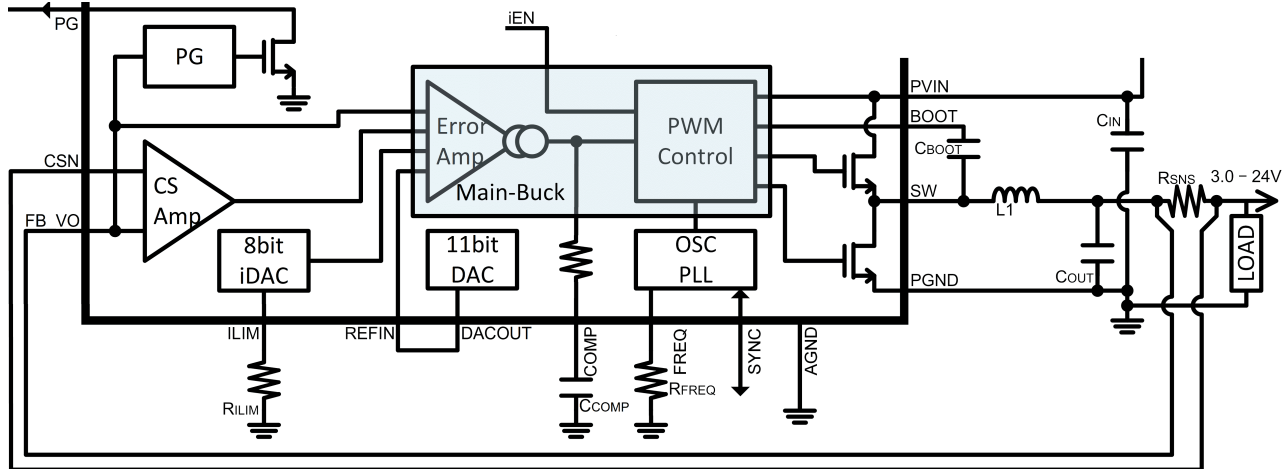


Figure 49. Main-buck Regulator

At a very high level, the SW pin (switching) node voltage is filtered by the output LC filter to have the output voltage. Then, the output voltage is fed back to the FB\_VO input to close the regulator control loop.

The main-buck block requires following external components.

- An output LC filter. See [Main-buck LC Output Filter](#).
- A bootstrap capacitor. See [Main-buck Bootstrap Capacitor](#).
- A compensation capacitor. See [Main-buck Compensation Network](#).
- A current limit programming resistor. See [Programmable Current Limit](#).
- A current sense register. See [Output Current Sensing](#).

### Main-buck Enable Control

The main-buck regulator is enabled and disabled by this enable control block. From the view point of power sequencing, the input of the main-buck is the iEN signal from this block and the output is the Main-buck Power-Good signal.

#### Disable.

When iEN is logic-L, the main-buck is disabled.

The main-buck provides an active discharge function when the Reg09[4] bit is logic-H. During the active discharge, the device activates the Output Discharge Resistor to force the output near ground level in shorter time. This feature is useful in applications where the output is expected to start from the (near) ground voltage.

When the Reg09[4] bit is logic-L, the main-buck makes the output node high impedance at it disabled condition. Consumption current from load devices discharges the output and, generally, the output voltage value is uncontrolled.

#### Enable.

When iEN is logic-H, the main-buck is enabled and it regulates the output as described in following sections.

#### No Controller to Drive the EN pin.

The EN pin has an internal pull-up source as shown in the Figure 50, so the EN pin becomes logic-H by leaving it **open (connected to nothing)** and the main-buck gets enabled every time the Control Logic comes to the Bias Ready status.

By using an external delay circuit, the device can support an application specific needs in many flexible ways. See [Timing Control between PGBIAS and EN](#).

### EN Input Buffer

The logic input buffer at the EN pin provides a programmable hysteresis capability. As shown in the Figure 50, There are two of 1- $\mu$ A current sources at the EN pin where the first 1- $\mu$ A element is always connected working as a constant bias and the second 1- $\mu$ A element gets connected to the EN pin when its input is logic-H as a hysteresis source.

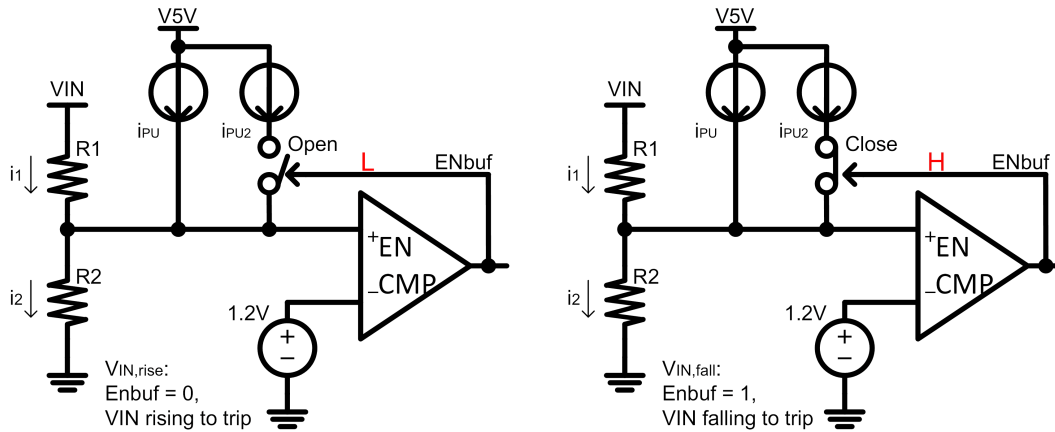


Figure 50. EN Input Buffer

**!** The **Control Logic** block operates based on its internal clock and a short Logic-L pulse input at the EN pin may not be captured. To ensure valid Logic-L input, at least  $t_{LOW(EN)}$  of Logic-L period is required.

**Additional UVLO by the EN pin.**

A hysteresis voltage generated by the two current sources, in the **Figure 50**, can be used as a programmable UVLO, in addition to the fixed value **Under-Voltage Lock-Out** that controls the bias blocks. This additional UVLO only controls the main-buck and the target voltage is programmed higher than  $V_{IT(UVLO)}$ , otherwise the  $V_{IT(UVLO)}$  dominates the control. In the **Eq.(6)**, following three calculations are listed.

1. the detecting threshold voltage when VIN is rising
2. the detecting threshold voltage when VIN is falling
3. the hysteresis voltage from "1." and "2."

$$\begin{aligned}
 V_{IN,rise} &= \left(1 + \frac{R_1}{R_2}\right) V_{IT(EN)} - R_1 i_{PU} \\
 V_{IN,fall} &= \left(1 + \frac{R_1}{R_2}\right) V_{IT(EN)} - R_1 (i_{PU} + i_{PU2}) \\
 V_{IN,hysteresis} &= R_1 \times i_{PU2}
 \end{aligned}
 \tag{6}$$

Based on the **Eq.(6)**, some example calculation results are listed in the **Table 31**.

**Table 31. EN pin Hysteresis Example**

R1 (kΩ)	R2 (kΩ)	V <sub>IN,rise</sub> (V)	V <sub>IN,fall</sub> (V)	Current through R1,R2 (μA) @24V
<b>Smaller Hysteresis Settings</b>				
700	100	8.9	8.2	30
800	100	10.0	9.2	26.7
900	100	11.1	10.2	24
1000	100	12.2	11.2	21.8
<b>Bigger Hysteresis Settings</b>				
1500	250	6.9	5.4	13.7
1500	200	8.7	7.2	14.1
2000	200	11.2	9.2	10.9
1500	150	11.7	10.2	14.6

### I<sup>2</sup>C Enable Bit

The [Reg05\[0\]](#) bit is a second enable signal input to the main-buck. When the [ACT4752](#) device is controlled by an I<sup>2</sup>C host processor, this host does not need to control the EN pin. This saves one GPIO terminal at the host.

### Internal Enable Signal

The [Main-buck Regulator](#) is controlled by a logic OR operation of 2 input signals

1. a logic input signal at the EN pin from the [EN Input Buffer](#) block and
2. a logic setting bit in the I<sup>2</sup>C register at the [Reg05\[0\]](#) bit.

$$iEN = OR((ENpin), (Reg05[0])) \quad (7)$$

throughout this datasheet, call this logic OR operation result (*iEN*) as an **iEN** signal that is short for an internal EN. When the *iEN* signal becomes logic-H, the main-buck start working. When it reaches its target voltage, the device outputs the [Main-buck Power-Good](#) signal.

### Output Discharge Resistor

The device provides a pull down resistor of the  $R_{DIS}$  value, from the FB\_VO pin to the PGND pin.

This  $R_{DIS}$  is activated at two different occasions.

1. Active Discharge at Disable  
See [Main-buck Enable Control](#).
2. Active Negative Transition See [Negative Transition with  \$R\_{DIS}\$](#) .

### Reference Voltage Input

The main-buck regulates its output voltage based on the REFIN pin voltage as its reference. In a typical usage, the DACOUT pin, from the [Output Voltage Reference](#) block, is connected to the REFIN pin by shorting these adjacent pins on a PCB as shown in the [Figure 46](#).

The output voltage, sensed by the FB\_VO pin, is regulated at eight times of the REFIN voltage as shown in the [Eq.\(8\)](#). By combined with the [Eq.\(3\)](#), the output voltage is controlled by the I<sup>2</sup>C [Table 16](#) in 12.5 mV step as shown in the [Eq.\(9\)](#). The calculated results from the [Eq.\(9\)](#) is found in the [Table 16](#).

$$V_{O(MAIN)} = 8 \times V_{REFIN} \quad (8)$$

$$V_{O(MAIN)} = 12.5(mV) \times (DAC_{CODE}[10 : 0]) \quad (9)$$



Even though the I2C block accepts it as a valid data, any value below **0x0F0** sets the output voltage below 3.0 V and, by default, the Under-Voltage Protection (UVP) triggers a fault action. See [Programmable Current Limit](#) and [Under-Voltage Protection](#).

### External Reference Voltage

It is not necessary to connect the DACOUT and the REFIN pins for the main-buck voltage reference. When a stable and well-regulated reference voltage source is available on a PCB, such external voltage reference can be used in a position of the [Output Voltage Reference](#). The main-buck control loop is designed to follow whatever voltage comes into the REFIN pin by following the [Eq.\(8\)](#).



When the DACOUT pin is not used to feed the REFIN pin, there is no [Main-buck Soft-start](#) function and an external voltage reference driving the REFIN pin needs to ramp up slowly to avoid huge inrush current.

### Main-buck Soft-start

The soft-start (or slow-start) function of the main-buck uses the [Servo Reference Control](#) so to avoid inrush current to the output capacitor, at a start-up event.

While the *iEN* is logic-L, the *iEN* signal reset the **11 bit up/down counter** at the  $\overline{RESET}$  in the [Figure 48](#). Simply, when the *iEN* becomes logic-H, the *iEN* signal releases the reset and the counter start ramping up to the [DACOUT\[10:0\]](#) target.

During this soft-start period, the main-buck forces to use, so called, pulse-skip operation so to achieve smooth ramp up of the output voltage.

### Main-buck Soft-start into Pre-biased Output

The main-buck supports a start-up operation into a pre-biased output so to avoid huge discharge current from the pre-biased output capacitor.

As described in [Main-buck Soft-start](#), in a case of normal start-up ("non" pre-biased output), the soft-start function starts from zero target and the main-buck control loop try to follow the REFIN voltage that is rising by the servo. Here, at the inputs of the [Error Amplifier](#), the reference is higher than the feedback.

In a case of pre-biased output without this "pre-bias" support, until its reference voltage comes to the pre-biased output voltage, the feedback is higher than the reference. So a regulator without the "pre-bias" support tries to pull down its pre-biased output toward the voltage target its reference points. Usually, this results in a huge reverse current flow from its output capacitor.

The soft-start engine of the [ACT4752](#) device is designed to do nothing until the REFIN voltage comes to the pre-biased output voltage.

### Error Amplifier

The main-buck has one error amplifier to maintain high feedback loop gain. The feedback input voltage at the FB\_VO pin and the reference input voltage at the REFIN pin are compared by the error amplifier and its error output signal is assigned at the COMP pin.

A compensation network is required between the COMP pin and the ground. See [Figure 49](#) and [Main-buck Compensation Network](#).

### Valley Current Mode Loop Control

The [ACT4752](#) employs a proprietary valley current mode control to regulate the output voltage. The control maintains its operation at a fixed frequency point for EMI noise sensitive applications. This unique current-mode yields very high loop gain bandwidth and good stability over wide range of its operating conditions.

### Main-buck Switching Options

#### Forced Continuous Current Operation

The device operates in a forced continuous conduction mode (FCCM). With this FCCM operation, the regulator maintains its switching frequency to meet the  $f_{SW(MAIN)}$  targets. These  $f_{SW(MAIN)}$  parameter ensures that its operation frequency do not interfere with AM radio frequency by staying above the AM band.

#### Pulse-skip Operation



This function block is not used in this [ACT4752](#) device option. This is a placeholder for other device options in the ACT475x family. See [Ordering Information](#).

#### 100% Duty Operation


When the PVIN pin voltage is close to the target output voltage  $V_O$ , the main-buck gets into 100% duty mode by setting the [Reg0B\[7\]](#) bit.

Without this 100% duty mode (disabled), the device is designed to output a minimum OFF period at each cycle, even though its internal PWM comparator continuously demands more ON duty. This minimum OFF pulse helps to stay at its target switching frequency but it is not desirable when the input voltage is very close to the output as the output voltage starts dropping.

When the 100% duty mode is enabled, the device stops forcing the minimum OFF pulse and the high-side FET maintains ON for multiple cycles without turning OFF as long as the PWM comparator indicates low feedback voltage. This 100% duty operation helps bringing the output voltage close to the input.

When keeping the high-side FET ON for a long time period, the bootstrap capacitor voltage becomes lower as a high-side gate driver consumes power from the bootstrap capacitor. To maintain a proper operation of the high-side FET, the bootstrap capacitor needs to be recharged occasionally. This refresh action happens at every eight cycles. This means that, at a worst case, its operation switching frequency becomes one eighth ( $1/8 = 12.5\%$ ) of the target setting.

The [Reg03\[3\]](#) bit is set logic-H to indicate that the regulator is in 100% duty operation. When using this 100% duty operation, consider to increase amount of output capacitance by monitoring the output voltage.

 This 100% duty operation lowers its switching frequency and may stay at AM radio frequency band.

### Spread-spectrum Operation

The main-buck provides a spread-spectrum switching frequency control by setting the `Reg0B[6]` bit. By activating the spread-spectrum function, the regulator modulates its switching frequency in the range of the  $f_{SPSP(MAIN)}$  parameter and it repeats this frequency dithering action by the  $N_{SPSP(MAIN)}$  times of switching period. The spread-spectrum operation improves its EMI performance by lowering noise peaks.

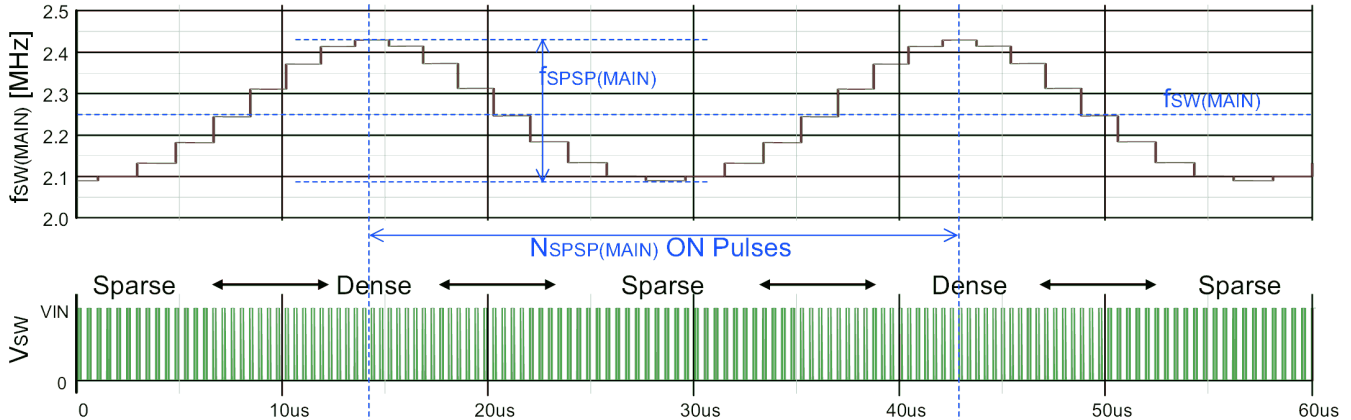


Figure 51. Main-buck Regulator Spread-spectrum Operation

### Output Current Sensing

The ACT4752 provides a current sense (CS) amplifier to monitor its output current,  $I_{OUT}$ , precisely for the Programmable Current Limit and Over-Current Protection blocks. This CS amp uses the `FB_VO` pin and the `CSN` pin (current sense negative) as its differential inputs and generates a device internal signal,  $V_{CS}$  with a gain of 20, by following the Eq.(10). As shown in Figure 49, the `FB_VO` and the `CSN` pins are monitoring an external current sense resistor  $R_{CS}$ .

$$\begin{aligned}
 V_{CS}(V) &= (V_{FB\_VO} - V_{CSN}) \times 20 \\
 &= I_{OUT}(A) \times R_{CS}(\Omega) \times 20
 \end{aligned}
 \tag{10}$$

### Programmable Current Limit

 In this datasheet, following three function names refer to clearly different meanings and behaviors of the device.

#### Programmable Current Limit

The programmable current limit function is a regulation control of the main-buck output current at a programming target value (CC: constant-current operation), within a safe operation area (SOA) of the device. This means a continuous operation at this programmable current limit is safe and supported.

#### Cycle-by-cycle Current Limit

The Cycle-by-cycle Current Limit protection is a hard limit of the main-buck output current. The threshold of this protection is beyond the design and safe operation area of the device. Repeated events of this protection will degrade or damage the device permanently.

#### Over-Current Protection

The Over-Current Protection (OCP) is a superset of the cycle-by-cycle current limit protection. The OCP is also beyond the design and safe operation area of the device and repeated OCP events will degrade or damage the device permanently.

In addition to the normal voltage regulation (or "CV", constant voltage regulation), the device provides very tightly regulated current limit control (or a constant current "CC" control) to the  $V_{CCMODE}$  target when the `Reg0B[4]` bit is logic-H.

To ensure enough operation headroom, this CC operation gets enabled when the `FB_VO` pin input voltage exceeds the  $V_{IT(CC, rise)}$  target. And it gets disabled when the `FB_VO` voltage goes below the  $V_{IT(CC, fall)}$  target.



While the output current is low enough, the current limit block does nothing and stays in the normal **CV** regulation. When the output current increases to hit the target constant current value, this block regulates the output current constant by allowing its output voltage droops. This voltage drop may trips the **Main-buck Power-Good** or **Under-Voltage Protection** blocks.

Rephrasing above paragraph with equations [Eq.\(4\)](#), [Eq.\(5\)](#) and [Eq.\(10\)](#), the current limit block regulates the output to meet the [Eq.\(11\)](#).

$$\begin{aligned}
 V_{CS} &\leq V_{ILIM} \\
 I_{OUT} \times R_{CS} \times 20 &\leq R_{ILIM} \times I_{ILIM} \\
 I_{OUT} \times R_{CS} \times 20 &\leq R_{ILIM} \times 391(\text{nA}) \times ((\text{Reg0c}[7 : 0]) + 1) \\
 I_{OUT} &\leq 391(\text{nA}) \times ((\text{Reg0c}[7 : 0]) + 1) \cdot \frac{R_{ILIM}}{20 R_{CS}}
 \end{aligned}
 \tag{11}$$

When disabling this programmable current limit function or when programming this current limit higher than 4A, using an additional Schottky diode in parallel with the low-side FET helps better rectification.

The [Eq.\(11\)](#) illustrates that the current limit accuracy is a function of  $R_{ILIM}/R_{CS}$  (actually, it's fully proportional). Even though the device provides accurate CS amp and current limit blocks, total accuracy is fully depending on the  $R_{ILIM}$  and  $R_{CS}$  accuracy, tolerance control on an application PCB.

### CC / CV Interrupt/Monitor

The device is designed to switch between the **CV** and **CC** seamlessly. And the device can report its status through the  $I^2C$ .

For certain applications, a host controller device wants to know the timing of this **CC**⇒**CV** transition.

At a transition event, the [Reg01\[7\]](#) bit becomes logic-H to generate an interrupt.

When in **CC**, the [Reg03\[4\]](#) bit becomes logic-H. When in **CV**, the [Reg03\[4\]](#) bit becomes logic-L.

The device is optimized to support battery charging type applications with this **CC / CV** regulation. A sudden transition from a high current **CC** operation to a **CV** operation, like a mechanical switch to disconnect a (high current) load, may cause an event of output voltage overshoot.

### Main-buck Power-Good

The **PG** pin is an indicator output of the main-buck. The **PG** is an open-drain type output and it requires a pull-up resistor. See [PGBIAS/PG Pull-up Resistance](#) for its value selection.

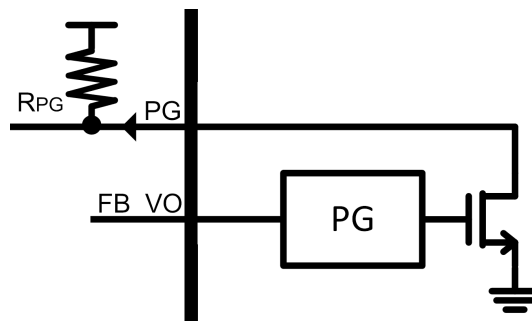


Figure 52. PG Block

When the device is in the **Main-buck ON** state, this **PG** pin becomes logic-H and it is logic-L in all the other states. In this statement, the "other states" includes the **Servo** state. To avoid generating an unstable **PG** signal, the **PG** block keeps its output logic-L while the **Servo Reference Control** is working. Because the **Main-buck Soft-start** or **On-the-fly Reference Programming** operation employs the **Servo Reference Control**, the **PG** pin becomes logic-L during such operation.

The **PG** pin becomes logic-L when executing the **Output Voltage Reference** servo operation even though the device is in **CC** regulation. Or it becomes logic-L when executing the **Output Current Reference** servo in **CV** regulation. This is because a transition between **CV** and **CC** is depending on a load condition and it could happen during a servo period. (The device is just reacting to the load, not actively choosing **CV** or **CC**.) To

avoid an inconsistent PG output, the [Servo Reference Control](#) blocks the PG pin regardless of voltage or current target changes.

### Main-buck Power-Good Detail

The PG pin indicates the device is in a regulation of either [CV](#) or [CC](#). When the PG pin is "good", the device provides multiple bits for the detail of this power-good operation through the I<sup>2</sup>C.

The [Reg03\[4\]](#) bit indicates whether the device in [CV](#) or [CC](#).

The [Reg03\[2\]](#) bit indicates whether the device in the CV regulation window of the  $V_{IH(VO)}$  and  $V_{IL(VO)}$  thresholds.

The [Reg01\[7\]](#) bit indicates a transition between [CV](#) or [CC](#).

### Main-buck Power-Good Delay

The PG block has a programmable delay circuit at the output stage of the PG pin. The device can insert a certain delay time from the timing of device internal power-good judgement to actual PG pin transition. This programmable delay helps to build a flexible power sequencing design on a PCB.

The [Reg08\[7:6\]](#) bits controls this delay time and see [Table 11](#) for available options.

### On-the-fly Reference Programming

By using the [Servo Reference Control](#) block, the main-buck supports on-the-fly programming of the [Output Voltage Reference](#) and [Output Current Reference](#). That means, through the I<sup>2</sup>C, the main-buck can accept a target value change of these two reference sources while the [iEN](#) is logic=H.

See [Main-buck Power-Good](#).

### Negative Transition with R<sub>DIS</sub>

In the [Output Voltage Reference](#) is programmed for a lower target voltage from the current output, it may take long time period to reach to the new target value when very little load current / activities there. To accelerate such light-load negative transition, the device utilizes the [Output Discharge Resistor](#) block when the [Reg09\[5\]](#) bit is logic-H.

### Main-buck EMI Tune-up

For the purpose of improving its EMI performance, this main-buck provides programmable switching node slew rate. By changing the [Reg0E\[3:2\]](#) bits, an application system designer can balance the tradeoff between its power conversion efficiency and its EMI noise level. By selecting slower transient rate, the noise performance improves; faster transient rate improves the efficiency. See [Table 23](#) for the available options.

### Output Current Protections



In this datasheet, following three function names refer to clearly different meanings and behaviors of the device.

#### Programmable Current Limit

The [Programmable Current Limit function](#) is a regulation control of the main-buck output current at a programming target value ([CC](#): constant-current operation), within a safe operation area (SOA) of the device. This means a continuous operation at this programmable current limit is safe and supported.

#### Cycle-by-cycle Current Limit

The [Cycle-by-cycle Current Limit protection](#) is a hard limit of the main-buck output current. The threshold of this protection is beyond the design and safe operation area of the device. Repeated events of this protection will degrade or damage the device permanently.

#### Over-Current Protection

The [Over-Current Protection](#) (OCP) is a superset of the cycle-by-cycle current limit protection. The OCP is also beyond the design and safe operation area of the device and repeated OCP events will degrade or damage the device permanently.

### Cycle-by-cycle Current Limit

The cycle-by-cycle current limit protection monitors current flow on the integrated high-side and low-side FET devices at every PWM cycle. When the high-side FET current flow exceeds the  $I_{OCP(CBC,high)}$  threshold, the protection forces the SW pin to the low state (high-side FET: OFF, low-side FET: ON) until the low-side FET current flow comes below the

$I_{OCP(CBC,low)}$  target. During this protection working, the gate driver logic circuits ignore signals from main regulation control blocks.

A result of the cycle-by-cycle current limit protection looks like a **CC** operation. And also, continuous cycle-by-cycle operation reports the device in a **CC** operation by setting the **Reg03[4]** bit to logic-H.

Unlike the **Programmable Current Limit** operation, this cycle-by-cycle current limit protection is outside of the device safe operating area and the system should not operate the device in a continuous cycle-by-cycle current limit.

### Over-Current Protection

The over-current protection is a superset of the **Cycle-by-cycle Current Limit** protection. When the **Cycle-by-cycle Current Limit** block repeats four (4) consecutive pairs of  $I_{OCP(CBC,high)}$  and  $I_{OCP(CBC,low)}$  detections, the device triggers this over-current protection.

The **Reg02[6]** bit is set logic-H to indicate this error.

See **Executing Protections** for the execution of this protection.

Practically, without any board level failure condition, the **Cycle-by-cycle Current Limit** protection reduces main inductor current flow very effectively within one cycle before observing four times of events. So this over-current protection gets triggered by an event of shorting the output, shorting the SW pin or shorting the coil.

### Over-Voltage Protection

The over-voltage protection (OVP) monitors and maintains the output voltage at the FB\_VO pin not to exceed the  $V_{OVP}$  threshold. For any reason, it exceeds the threshold, the main-buck triggers the over-voltage protection.

The **Reg02[5]** bit is set logic-H to indicate this error.

See **Executing Protections** for the execution of this protection.

### Under-Voltage Protection

The under-voltage protection (UVP) monitors the output voltage at the FB\_VO pin at the  $V_{UVP(CV)}$  or the  $V_{UVP(CC)}$  threshold. See **UVP selection**. For any reason, it falls below the threshold, the device triggers the under-voltage protection.

The **Reg02[4]** bit is set logic-H to indicate this error.


See **Hiccup Operation**, **Latch-off Operation** and **Executing Protections** for the execution of this protection.


### UVP selection

To support various application cases, the main-buck provides different UVP threshold options.

When using the **CC** block, the output voltage is expected to drop when transits from the **CV** to the **CC** operation. So the UVP is expected to trigger at lower threshold target for the **CC** operation. The **Reg0B[3]** bit at logic-L selects  $V_{UVP(CC)}$  for this purpose. Setting this bit at logic-H selects  $V_{UVP(CV)}$  for the **CV** operation.

In case a wide **CC** operation range is needed more than the  $V_{UVP(CC)}$  target, the UVP can be disabled by setting the **Reg09[3]** bit at logic-H. With this **Reg09[3]** bit, the **CC** block keeps its operation to the full range down to the  $V_{IT(CC,fall)}$  target.

 By setting the **Reg09[3]** bit, the UVP protection "action" is disabled at the **Control Logic** block level regardless of the FB\_VO pin voltage. Still the status indicator bit **Reg02[4]** and its detector circuit is active and an interrupt is generated when the FB\_VO cross the threshold. The **Reg07[4]** mask bit helps this situation if an interrupt is not needed.

 By disabling the UVP by the **Reg09[3]** bit, there is no way to detect an event of output short. When a short event happens without the UVP, there are only the **Thermal Protection** and the **Over-Current Protection** blocks to protect the device and a risk of damaging the device increases.

### Hiccup Operation

By setting the **Reg09[2]** bit at logic-L, the main-buck regulator repeats a "wait" and "retry" cycle, that is so called a "hiccup" operation. At the first time the output voltage hits the UVP threshold, the device disables its switching operation for the  $t_{W(HICCUP)}$  of time period, and then the device restart the switching. If a cause of the under-voltage condition goes away while disabled, the main buck regulator keeps working as normal; if the cause is still there, the devices goes into another disabled state for another  $t_{W(HICCUP)}$  period to repeat the hiccup operation.

See [Protection Level 4](#) for the execution of this protection.



When selecting the hiccup option, the device has no way to escape from an endless hiccup loop. A host controller device is expected to take a proper procedure to stop this endless hiccup loop.



When the device is in the hiccup operation, always there is a repeating narrow time window where the output voltage overshoots. This time windows are between almost-end of soft-start operation and a sudden event of releasing hiccup cause(s). During this time window, the device has almost finished a soft-start operation and the target reference voltage is high enough but the device does not judge next round of hiccup yet. So the device starts working at a very high duty cycle to overshoot.  
The latch-off option is free from this overshoot concern.

### Latch-off Operation

By setting the [Reg09\[2\]](#) bit at logic-H, the main-buck regulator latches the OFF status.

See [Protection Level 3](#) for the execution of this protection.

## Executing Protections

The ACT4752 integrates multiple levels of device protections. Each level of protection behavior is explained in following sections in the order of severity.

### Protection Level 1


The level 1 protection is a complete shutdown of the device except very minimum functions.

When following protections are triggered, the device stops its entire function except UVLO and OVLO blocks because the input voltage VIN (and PVIN) is out of acceptable operation range.

See [Recommended Operating Conditions](#).

- [Under-Voltage Lock-Out](#)
- [Over-Voltage Lock-Out](#)

This level 1 protection status continues until both UVLO and OVLO are released.

 The OVLO does not protect the device from any potential damage caused by over-voltage events. See [Note of Absolute Maximum Rating](#).

### Protection Level 2

The level 2 protection is a whole device reset of the device by executing an auto-restart procedure.

When following protections are triggered, the device executes the [Reset Sequence](#) because the device cannot continue its normal operations safely.

- [Mini-buck Over-Current Protection](#)
- [Mini-buck Over-Voltage Protection](#)
- [Mini-buck Under-Voltage Protection](#)
- [AUX LDO Under-Voltage Protection](#)
- [Hard TSD](#)

### Reset Sequence

1. Stop the [Mini-buck Regulator](#) and [Auxiliary LDO](#).
2. Start a logic timer of the  $t_{D(RESET)}$  reset blanking period.
3. Restart the [Mini-buck Regulator](#) at the time out of "2." timer.

### Protection Level 3

The level 3 protection is a latch-OFF of the [Main-buck Regulator](#) function.

When following protections are triggered, the device turns OFF the [Main-buck Regulator](#) and remains OFF until the [iEN](#) signal becomes logic-L. This latch-OFF status is just like a device waiting for an enable trigger even though [iEN](#) maintains logic-H from the timing of event caused this latch-OFF state.

- [Latch-off Operation](#)
- [SYNC Input Error Latch-off Operation](#)
- [Over-Voltage Protection](#)
- [Over-Current Protection](#)

### Protection Level 4

The level 4 protection is a temporary disable of the [Main-buck Regulator](#) function, with an auto-restart. Or it is so called a "hiccup" operation.

When following protections are triggered, the device turns OFF the [Main-buck Regulator](#) for the  $t_{W(HICCUP)}$  period and retry to activate the main-buck. When a cause of protection remains, another disable cycle is repeated for another  $t_{W(HICCUP)}$  period.

- [Hiccup Operation](#)
- [SYNC Input Error Hiccup Operation](#)
- [Soft TSD](#)

### **Protection $R_{FREQ}$**

In normal conditions, the  $R_{FREQ}$  Protection is a short-period transition state. Only when the device cannot validate  $R_{FREQ}$  value in the Recommended  $R_{FREQ}$  Range, due to a wrong PCB assembly, the device repeats this  $R_{FREQ}$  validation forever. This loop is a sort of dead-lock because the bias block is ready but cannot activate the main-buck due to the unreliable  $R_{FREQ}$ . By repeating this  $R_{FREQ}$  checking loop, the device ensures to keep sending an interrupt of the [Reg01\[4\]](#) bit. This protection is only performed before entering the [Bias Ready](#) state and it is not continuously monitoring <Rfreq> after passing the [Bias Ready](#) state.

### Application Information

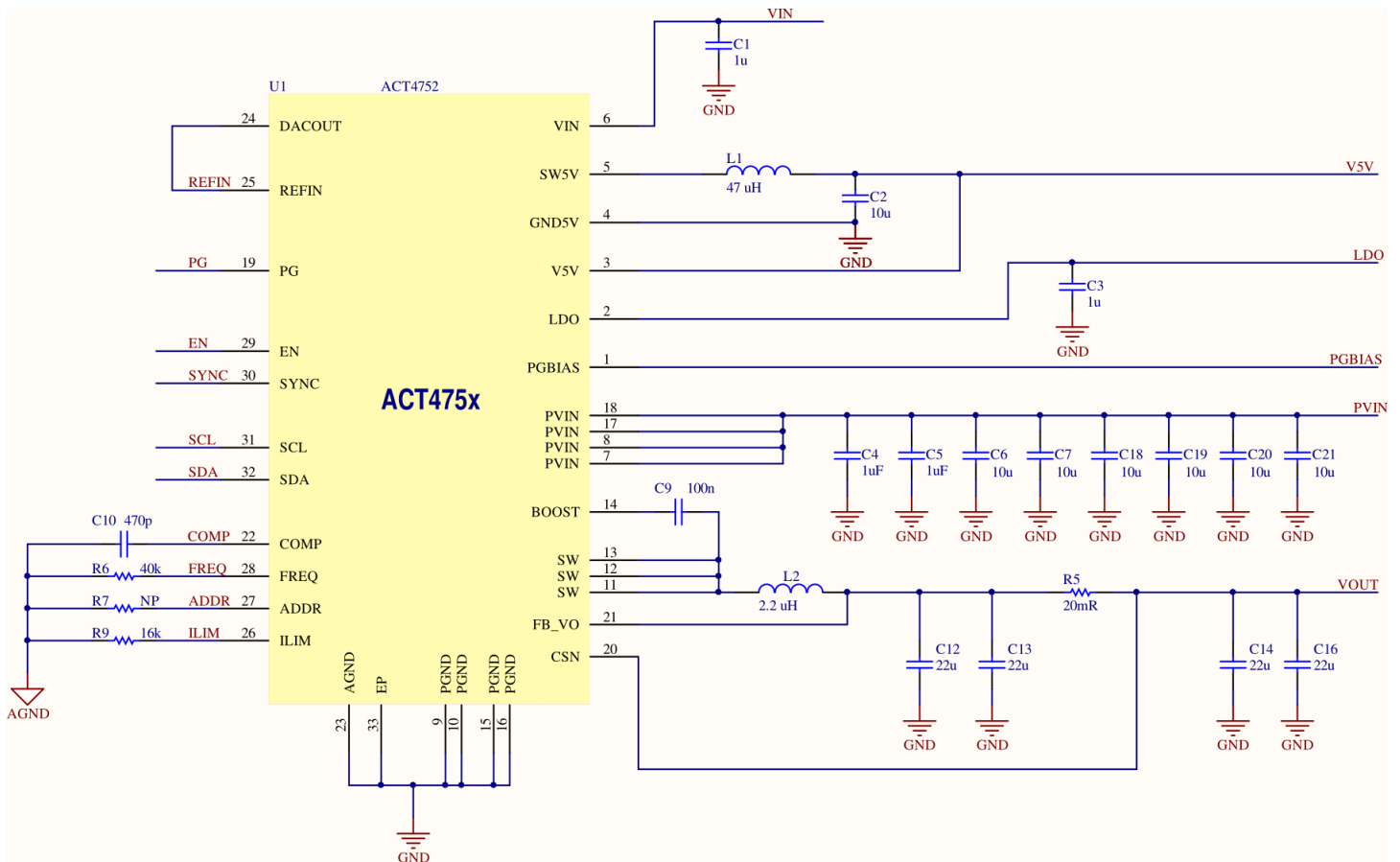


Figure 53. Example Schematic: DC-DC Voltage Regulator Industrial-type Application

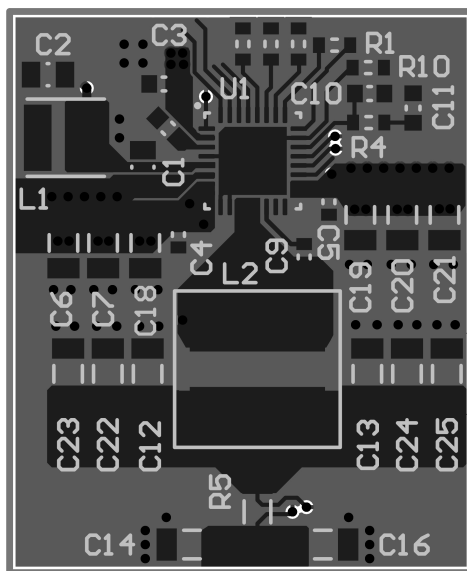


Figure 54. PCB Layout Example

## Component Selection

### Mini-buck Components

#### Mini-buck Input Capacitors

Between the VIN pin and the GND5V pin, a good quality, at least, 1  $\mu\text{F}$  of capacitor is required. Please this capacitor as close as the device.

#### Mini-buck LC Output Filter



The mini-buck is not designed to support excessive amount of output capacitance. Large amount of output capacitor(s) may cause failures, like over (in-rush) current. Strongly recommended to follow this design guideline.

The **Mini-buck Regulator** outputs 5 V self-biasing power at the V5V node. An LC output filter is needed between the SW5V pin and the GND5V pin.

An inductor value of the LC output filter is 47  $\mu\text{H}$ .

(At least) two pieces of output capacitors are recommended. The first high frequency capacitor must be connected very close to the device with the highest priority of all components. The target value of the high frequency capacitor is 0.1  $\mu\text{F}$ . The second main capacitor is recommended to be 10  $\mu\text{F}$ .

### AUX LDO Components

#### AUX LDO Output Capacitors

The **Auxiliary LDO** needs a good quality output capacitor between the VLDO pin and the ground. This capacitor is recommended to be 1  $\mu\text{F}$ .

### Main-buck Components

#### Main-buck Input Capacitors

The **Main-buck Regulator** has multiple of its power input pins PVIN at 2 edges of the device package. Good quality MLCC input capacitors should be connected between the PVIN and the PGND pins, **at both edges of the package**. Depending on ripple current amplitude and input ripple voltage amplitude, a couple of bulk capacitors may be used in parallel with the good quality MLCC. These bulk capacitors are not necessary to be placed at both edges of the package.

#### Main-buck LC Output Filter



The main-buck is not designed to support excessive or insufficient amount of LC product. Strongly recommended to follow this design guideline.



When in 100% mode operation, the main-buck operates down to one eighth of switching frequency and it requires bigger output capacitance. Strongly recommended to follow this design guideline.

The **Main-buck Regulator** is a topology of step-down (buck) switching regulator and it requires an LC output filter between the SW node to the ground. This LC filter is a part of control stability design components, it must stay in a certain value range. The [Table 32](#) shows a center target value set of the LC filter.

**Table 32. Main-buck LC filter**

Switching Frequency	Output Voltage Range	L1	C <sub>OUT</sub>	LC Resonant Frequency
450 kHz	below 12 V	4.7 $\mu\text{H}$	22 $\mu\text{F}$ x 5	7 kHz
	3 V to 24 V	6.8 $\mu\text{H}$	22 $\mu\text{F}$ x 5	5.8 kHz
1050 kHz	below 20 V	3.3 $\mu\text{H}$	22 $\mu\text{F}$ x 4	9.3 kHz
	3 V to 24 V	4.7 $\mu\text{H}$	22 $\mu\text{F}$ x 4	7.8 kHz



Switching Frequency	Output Voltage Range	L1	C <sub>OUT</sub>	LC Resonant Frequency
1650 kHz	3 V to 24 V	3.3 μH	22μF x 4	10.3 kHz
2.25 MHz	3 V to 24 V	2.2 μH	22μF x 4	11.4 kHz

### Main-buck Bootstrap Capacitor

The **Main-buck Regulator** integrates N-type FET as its high-side switching device. To maintain a gate drive power supply to the high-side N-type FET, a good quality MLCC should be connected between the BOOST pin and the SW pins. The recommended value of this bootstrap capacitor is 0.1 μF.

### Main-buck Compensation Network

The **Main-buck Regulator** requires a compensation capacitor between the COMP pin and the AGND pin as shown in [Figure 55](#).

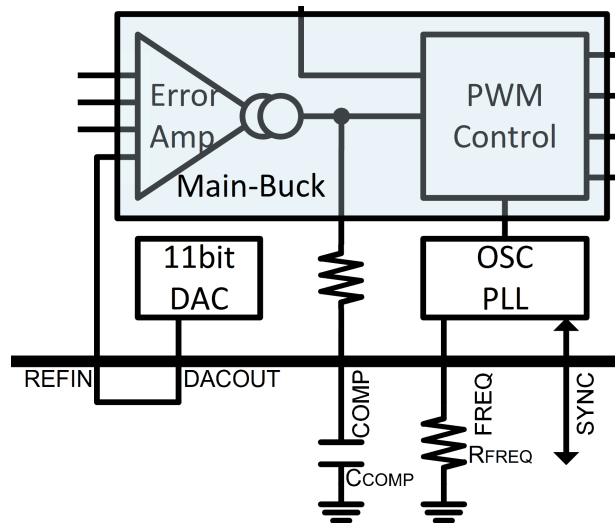


Figure 55. Main-buck Compensation Capacitor

For entire frequency range, use 470 pF capacitor as shown in the [Table 33](#).

Table 33. Main-buck Compensation Capacitor

Switching Frequency	C <sub>COMP</sub> (pF)
450 kHz	470
1050 kHz	470
1650 kHz	470
2.25 MHz	470

### Other Components

#### R<sub>FREQ</sub> Resistance

See Switching Frequency Selector.

#### R<sub>LIM</sub> Resistance

See Output Current Reference.

#### SCL/SDA Pull-up Resistance

See I<sup>2</sup>C Interface.

### PGBIAS/PG Pull-up Resistance

The PGBIAS and PG pins are designed to drive maximum 1 mA of sink current from the open-drain transistors. A pull-up resistor at the PGBIAS or the PG pin is required to limit the current into these pins below 1 mA. See [PGBIAS Indicator Output](#) and [Main-buck Power-Good](#).

The lower end of recommended pull-up resistors range is determined by the current into these pins. In many applications, 0.1 mA of current, that is one tenth of the maximum 1 mA, is more than enough. It is a simple Ohm's law and the recommended minimum pull-up resistor is calculated as in [Eq.\(12\)](#).

Note that a pull-up voltage source is an application system dependent.

$$R_{\text{MIN(PG,PGBIAS)}} = \frac{V_{\text{PULL-UP}}}{0.1(\text{mA})} \tag{12}$$

The higher end of recommended pull-up resistors range is determined by the noise immunity. In many applications, as a rule of thumb, a current more than 5  $\mu\text{A}$  is robust enough staying away from noise issues. From here, it is a simple Ohm's law and the recommended maximum pull-up resistor is calculated as in [Eq.\(13\)](#).

Note that a pull-up voltage source is an application system dependent.

$$R_{\text{MAX(PG,PGBIAS)}} = \frac{V_{\text{PULL-UP}}}{5(\mu\text{A})} \tag{13}$$

### Timing Control between PGBIAS and EN

By using an RC delay circuit from the PGBIAS output to the EN pin, the device can be programmed to meet application specific timing needs. And, also, a proper delay timing circuit can mask only interrupt signal portion of output from the PGBIAS pin.

The [Figure 56](#) is an example of a delay circuit configuration to meet following requirements.

- The EN pin receives only "power-good" signal, an interrupt signal filtered.
- The PGBIAS pin maintains both "power-good" and "interrupt" signals.

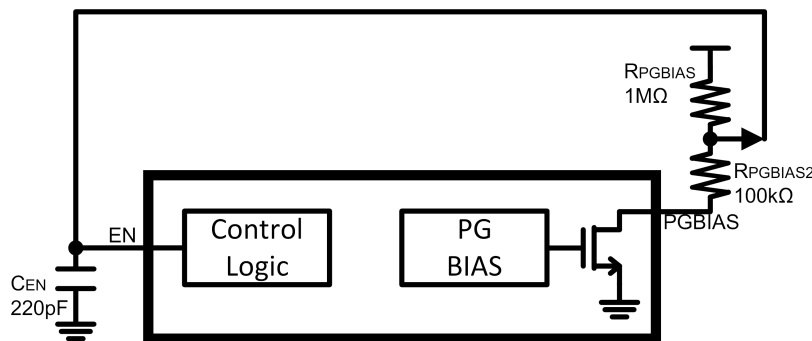
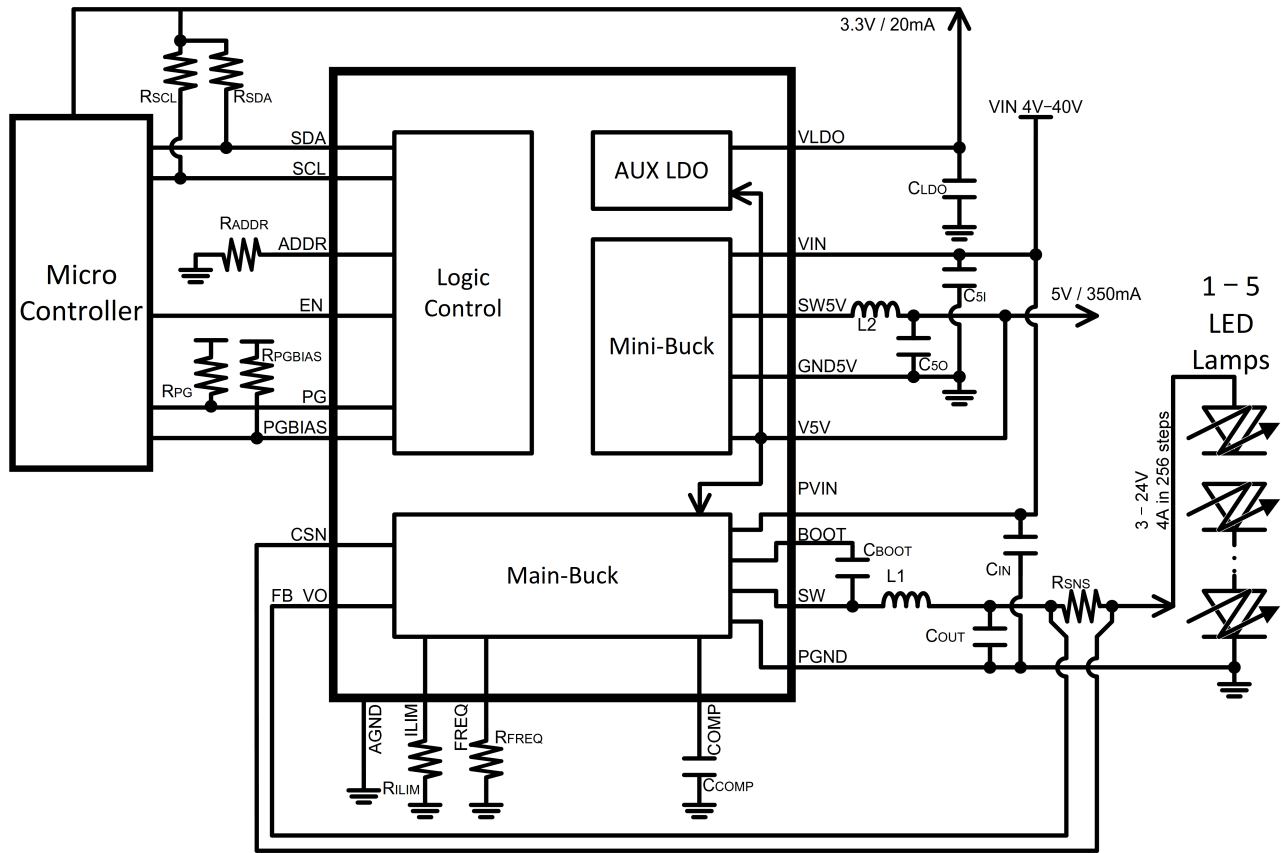


Figure 56. Example PGBIAS drives EN with an RC filter

**Application Examples**



**Figure 57. Example Diagram: High Brightness LED Driver**

## Factory Programming Options

---

At a production test before shipping, the ACT4752 device can have different behavior(s) from the descriptions in this datasheet by burning different configuration ROM bits.

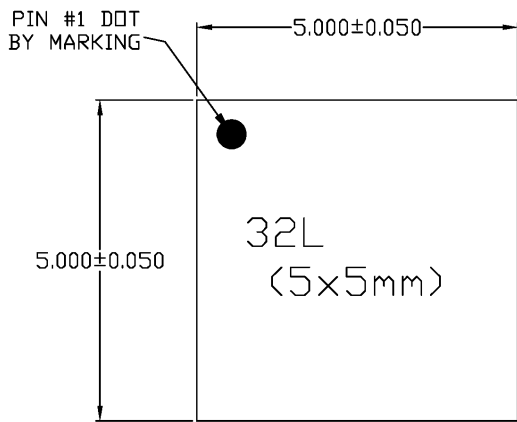
In this section, there's a quick summary of possible configuration options.



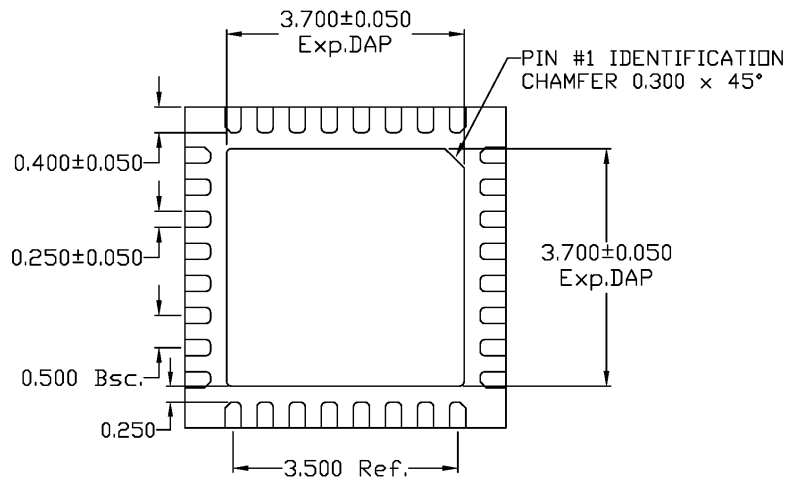
Please contact your local sales representatives for an availability of such options and a minimum purchase quantity may apply.

- Main-buck in 0.75 V to 6 V output
- Many of I<sup>2</sup>C register default values
- AUX LDO default value
- Main-buck in a constant-ON (COT) control, instead of current-mode control
- Stronger spread-spectrum for both mini-buck and main-buck
- Different soft-start time of mini-buck
- Lower PG threshold for the V5V pin
- Alternative mini-buck control without using an external inductor

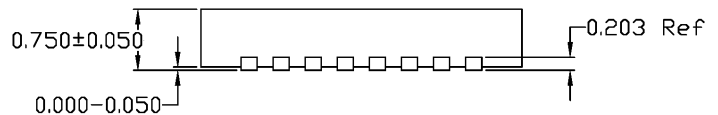
**Package Outline and Dimensions**



TOP VIEW



BOTTOM VIEW



SIDE VIEW

**Figure 58. 32-pin QFN, 5 mm × 5 mm, 0.5 mm pitch**

## Handling Precautions

Parameter	Rating	Standard
ESD — Human Body Model (HBM)	Class 2	ANSI/ESDA/JEDEC JS-001-2017
ESD — Charged Device Model (CDM)	Class C3	ANSI/ESDA/JEDEC JS-002-2014
MSL — Moisture Sensitivity Level	Level 3	IPC/JEDEC J-STD-020



Caution!  
ESD-Sensitive Device

## Solderability

Compatible with both lead-free (260 °C max. reflow temperature) and tin/lead (245 °C max. reflow temperature) soldering processes.

## REVISION HISTORY

Rev	Date	Orderable Part Number Affected	Description
Rev.A	Jul 16, 2020	ACT4752QI101	Initial release

## Product Compliance

---

This part complies with RoHS directive 2011/65/EU as amended by (EU) 2015/863.

This part also has the following attributes:

- Lead Free
- Halogen Free (Chlorine, Bromine)



## Contact Information

---

For the latest specifications, additional product information, worldwide sales and distribution locations:

WEB	<a href="http://www.qorvo.com">www.qorvo.com</a>
TEL	+1-844-890-8163
E-MAIL	<a href="mailto:customer.support@qorvo.com">customer.support@qorvo.com</a>

## Important Notice

---

The information contained herein is believed to be reliable; however, Qorvo makes no warranties regarding the information contained herein and assumes no responsibility or liability whatsoever for the use of the information contained herein. All information contained herein is subject to change without notice. Customers should obtain and verify the latest relevant information before placing orders for Qorvo products. The information contained herein or any use of such information does not grant, explicitly or implicitly, to any party any patent rights, licenses, or any other intellectual property rights, whether with regard to such information itself or anything described by such information. **THIS INFORMATION DOES NOT CONSTITUTE A WARRANTY WITH RESPECT TO THE PRODUCTS DESCRIBED HEREIN, AND QORVO HEREBY DISCLAIMS ANY AND ALL WARRANTIES WITH RESPECT TO SUCH PRODUCTS WHETHER EXPRESS OR IMPLIED BY LAW, COURSE OF DEALING, COURSE OF PERFORMANCE, USAGE OF TRADE OR OTHERWISE, INCLUDING THE IMPLIED WARRANTIES OF MERCHANTABILITY AND FITNESS FOR A PARTICULAR PURPOSE.**

Without limiting the generality of the foregoing, Qorvo products are not warranted or authorized for use as critical components in medical, life-saving, or life-sustaining applications, or other applications where a failure would reasonably be expected to cause severe personal injury or death.

Copyright 2020 © Qorvo, Inc. | Qorvo ® is a registered trademark of Qorvo, Inc.