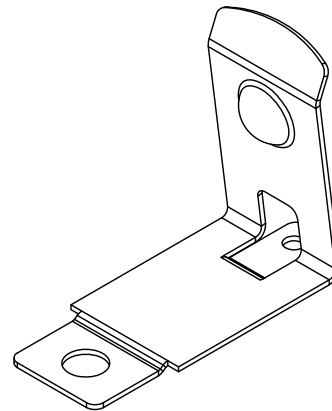
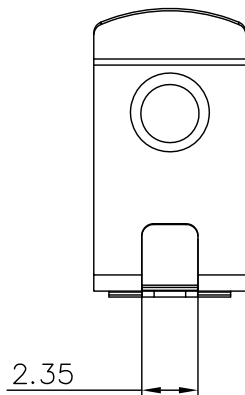
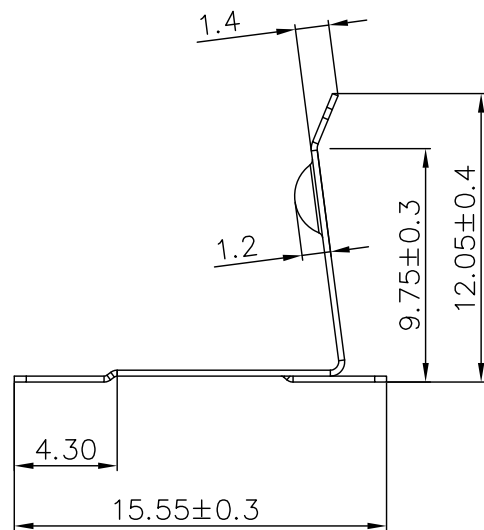
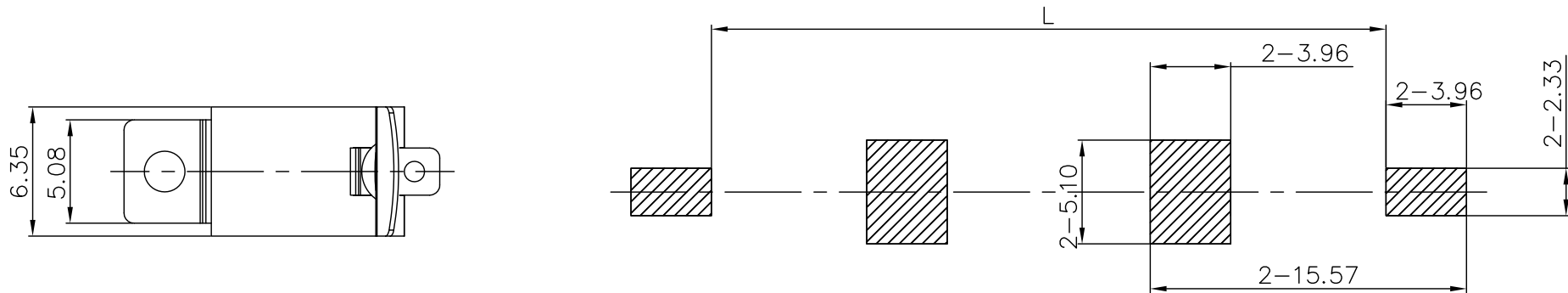




REV.	ECN NO.	REVISED	DATE



工程  
2021-07-09  
LQ. HUANG

CELL SIZE	'L' DIMENSION
AA	48.30
CR2	24.60
CR123A	31.20

UNLESS OTHERWISE SPECIFIED TOLERANCES		<b>MYOUNG 美阳</b> <a href="http://www.meiyangdz.com">www.meiyangdz.com</a>	
DECIMALS: X :±0.30 X.X :±0.25 X.XX :±0.20 X.XXX :±0.10	ANGLES: X :±1° X.X :±0.5°	DSND YangFeng	DATE 2021-07-09
WEIGHT: g		CHKD ZhouRuicai	DATE 2021-07-09
SHEET 1 OF 1		APVD XueShunyong	DATE 2021-07-09
SCALE: 4:1		SIZE: A4	VIEW:
UNIT: mm		REV.: A/0	OBJECT: MY
TITLE:		PART NO.:	
		MY-AA-03	
		DRAW NO.:MY-CP-0265	

1	TERMINAL	1	Mn STEEL, T=0.25mm	Ni-Plating
NO.	PART NAME	Q'TY	MATERIAL	PLATING & COLOR