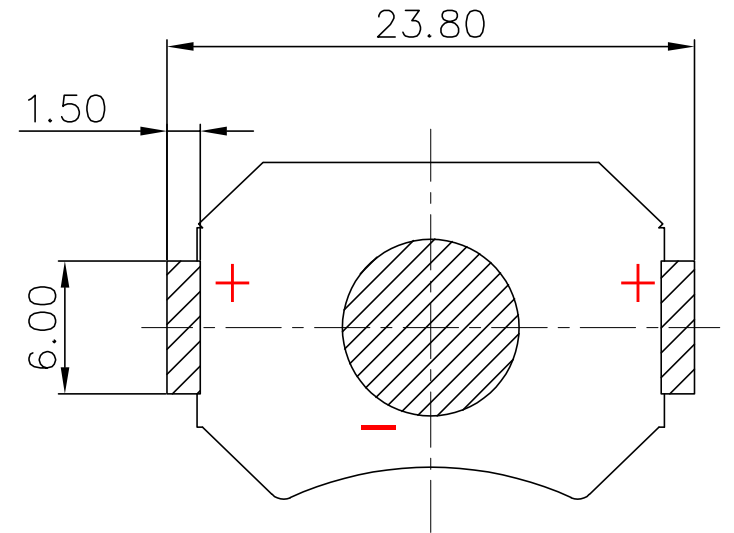
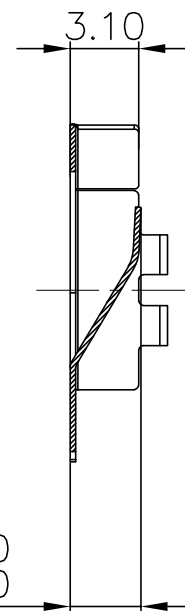
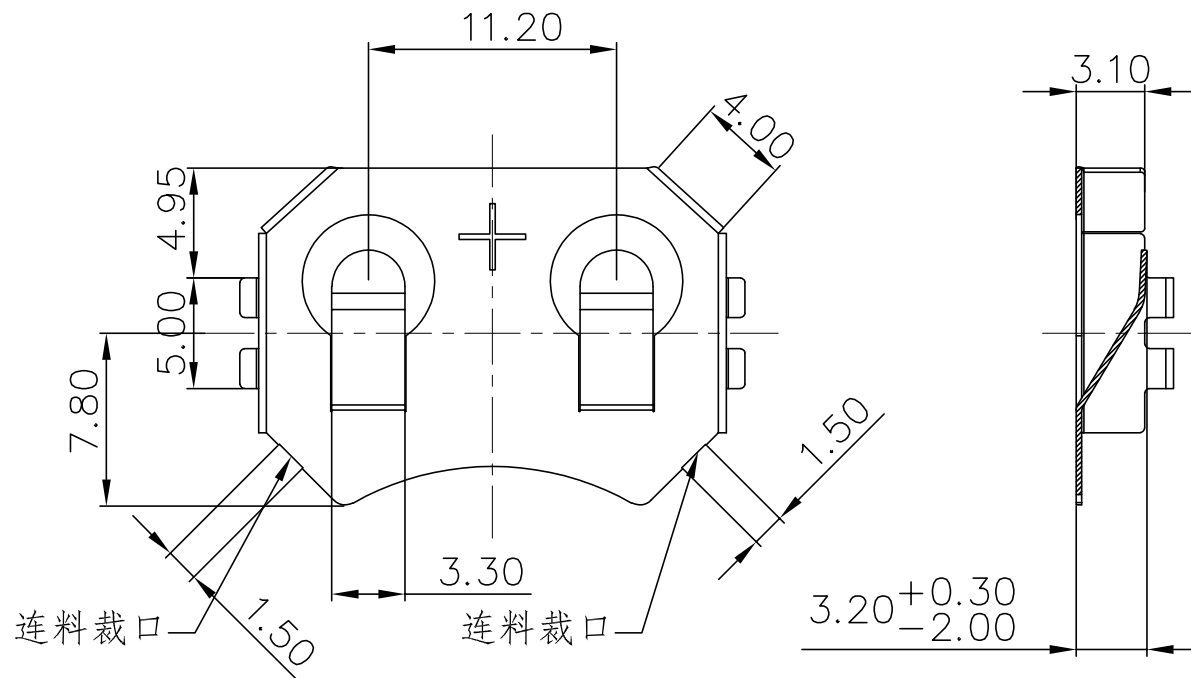
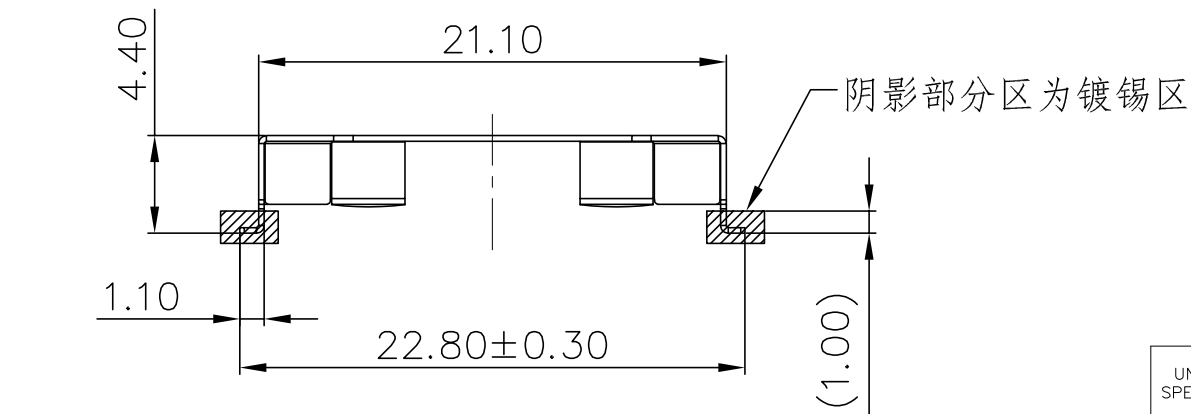




REV.	ECN NO.	REVISED	DATE



PCB Layout Diagram  
Top View



工程部  
2023-10-13  
LQ. HUANG

UNLESS OTHERWISE SPECIFIED TOLERANCES		<b>MYOUNG 美用</b> <a href="http://www.meiyangdz.com">www.meiyangdz.com</a>	
DECIMALS: X : ±0.30 X.X : ±0.25 X.XX : ±0.20 X.XXX : ±0.10	ANGLES: X : ±1° X.X : ±0.5°	DSND: YangFeng	DATE: 2023-10-23
		CHKD: ZhouRuicai	DATE: 2023-10-23
		APVD: XueShunyang	DATE: 2023-10-23
		WEIGHT: 9	SCALE:
		SHEET 1 OF 1	UNIT: mm
		SIZE: A4	VIEW:
		REV.: A/0	OBJECT: MY
		TITLE: 电池扣CR2032-P SMT 连带引脚高温锡	
		PART NO.: MY-2032-08L	
		DRAW NO.:MY-CP-0380	

1	TERMINAL(+)	1	PHOSPHOR BRONZE, T=0.25mm	Sn(hight hot) on the solidface after Ni-Plating
NO.	PART NAME	Q'TY	MATERIAL	PLATING & COLOR