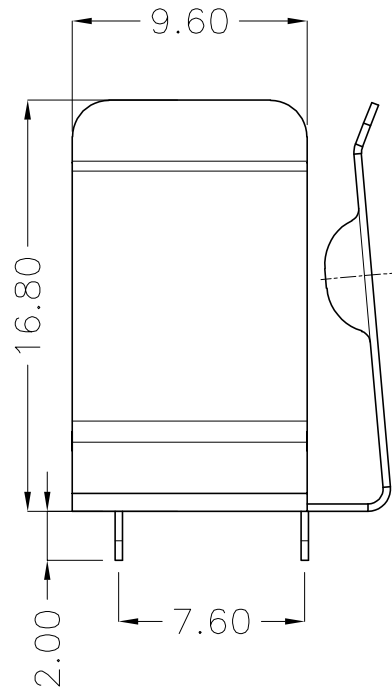
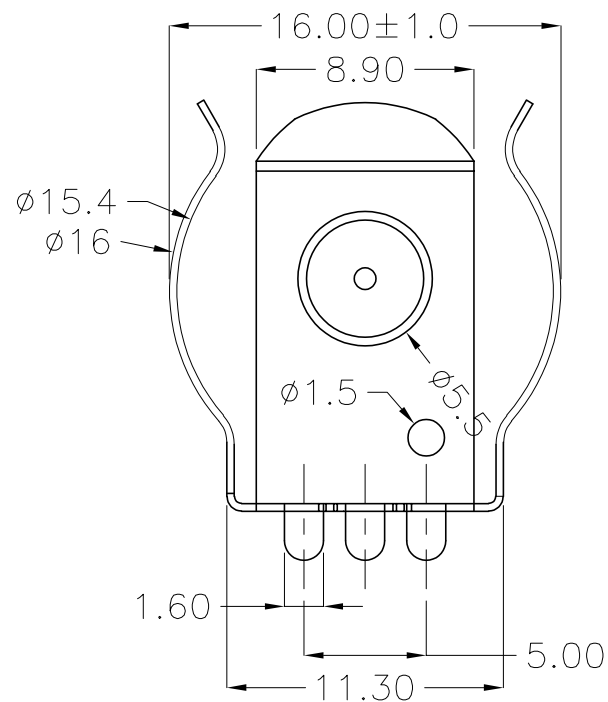


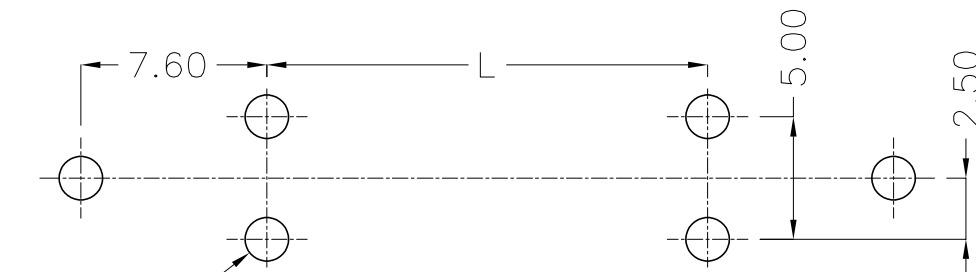


REV.	ECN NO.	REVISED	DATE



工程部
2023-02-14
H. WANG

BATTERY SIZE	"L" DIMENSION
18650	48.00 MM
CR123A	14.50 MM



6- ϕ 1.80 PCB Layout Diagram
Top View

UNLESS OTHERWISE SPECIFIED TOLERANCES		MYOUNG 美用 www.meiyangdz.com	
DECIMALS: X :±0.30 X.X :±0.25 X.XX :±0.20 X.XXX :±0.10	ANGLES: X :±1° X.X :±0.5°	DSND YangFeng	DATE 2023-02-14
WEIGHT:g		CHKD ZhouRuicai	DATE 2023-02-14
SHEET 1 OF 1		APVD XueShunyong	DATE 2023-02-14
TITLE: 18650电池夹 Ni DIP 2.0		SCALE:2.5:1	SIZE: A4
PART NO.: MY-18650-03-J		VIEW:	UNIT: mm
DRAW NO.:WD-CP-0264		REV.: A/0	OBJECT: MY

1	TERMINAL(+)	1	Mn Steel T=0.30MM	Ni-Plating
NO.	PART NAME	Q'TY	MATERIAL	PLATING & COLOR