



REV.	ECN NO.	REVISED	DATE

NOTE:

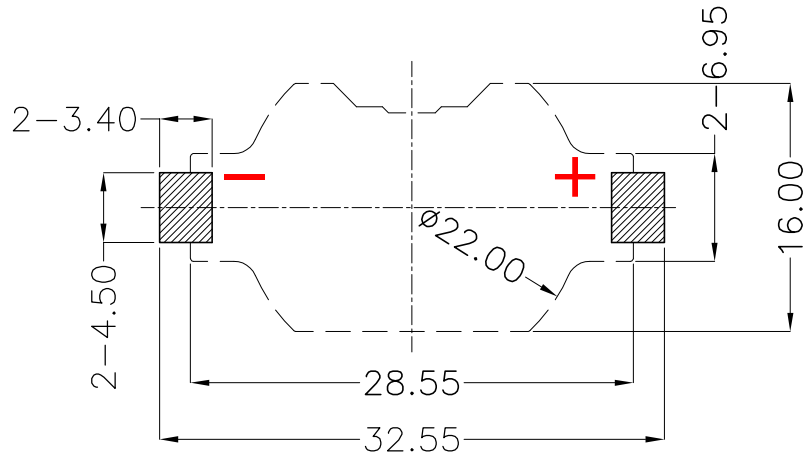
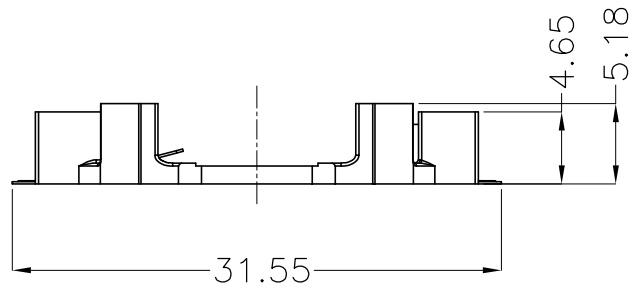
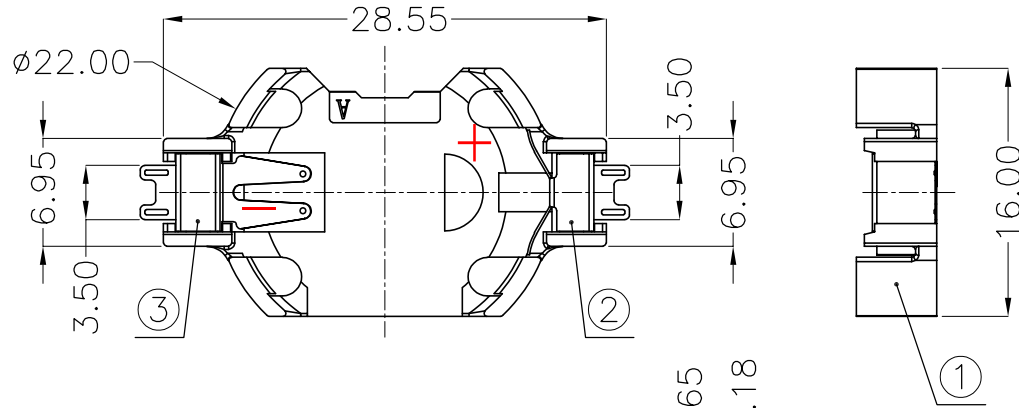
1.MATERIAL:

- a.HOUSING:PPA WHITE
- b.CONTACT:PHOSPHOR BRONZE  
(SURFACE PLATING:Sn100u"-120u")

SEE ORDERING INFORMATION

2.ELECTRIC:

- a.CONTACT RESISTANCE: 50 MILLIOHMS MAX
- b.INSULATION RESISTANCE: 100 MEGA OHMS MIN
- c.DIELECTNIC VOLTAGE: 500V AC FOR ONE MINUTE
- d.OPERATING TEMPERATURE: -25°C~ +85°C



PCB Layout Diagram  
Top View

ORDERING INFORMATION

**BS-06-B\*\*\*005**

电池座系列

BS-06系列

SMT 180° TYPE

PLATING:  
A-Au1U"  
J-Ni100U"~120U"  
K-Sn100U"~120U"

MATERIAL:  
1A-PBT BLACK  
1B-PA66 BLACK  
2A-PPA BROWN  
2B-PPA BLACK  
2C-PPA WHITE  
3A-PPS BROWN  
3B-PPS BLACK  
4A-LCP WHITE  
4B-LCP BLACK



UNLESS OTHERWISE SPECIFIED TOLERANCES		<b>MYOUNG 美阳</b> <a href="http://www.meiyangdz.com">www.meiyangdz.com</a>	
DECIMALS: X :±0.30 X.X :±0.25 X.XX :±0.20 X.XXX :±0.10	ANGLES: X :±1° X.X :±0.5°	DSND YangFeng	DATE 2020-05-05
WEIGHT: 1.02g		CHKD ZhouRuicai	DATE 2020-05-05
SHEET 1 OF 1		APVD XueShunyong	DATE 2020-05-05
SCALE: 2:1		SIZE: A4	VIEW:
UNIT: mm		REV.: A/0	OBJECT: MY
TITLE: BS-2032-6-2 Sn SMT PPA白色		PART NO.: BS-06-B2CK005	
DRAW NO.:MY-CP-0222			

NO.	PART NAME	Q'TY	MATERIAL	PLATING & COLOR
3	TERMINAL(-)	1	PHOSPHOR BRONZE, T=0.20mm	Sn Plating
2	TERMINAL(+)	1	PHOSPHOR BRONZE, T=0.20mm	Sn Plating
1	HOUSING	1	PPA	WHITE