



REV.	ECN NO.	REVISED	DATE

NOTE:

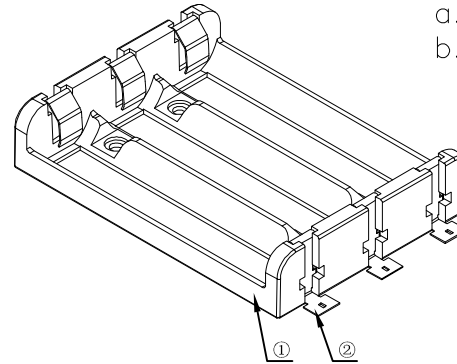
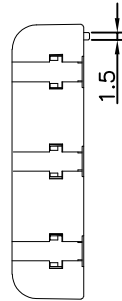
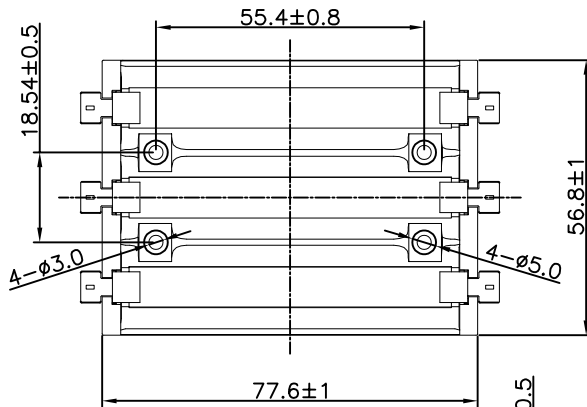
1.MATERIAL:

- a.HOUSING:PA46 BLACK
- b.CONTACT:STAINLESS STEEL
(SURFACE PLATING: Au 1U")

SEE ORDERING INFORMATION

2.ELECTRIC:

- a.DIELECTRIC VOLTAGE: 500V AC FOR ONE MINUTE
- b.OPERATING TEMPERATURE: -25° C~ +85° C



ORDERING INFORMATION

BH-18650-B5BA016

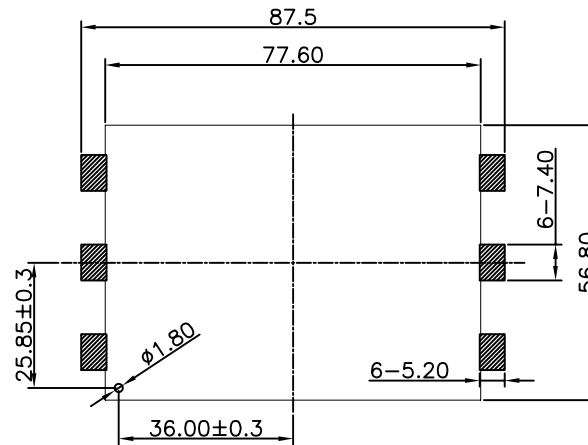
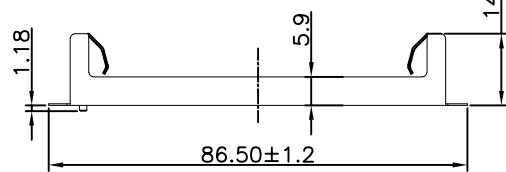
电池盒

电池型号

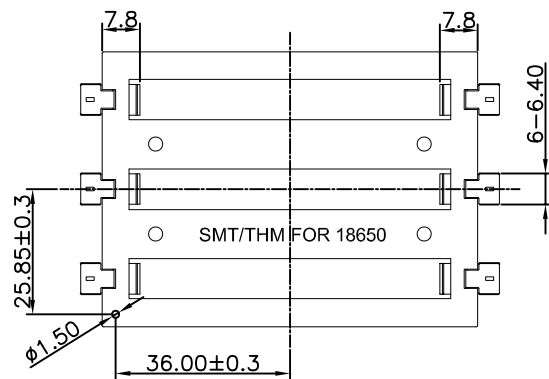
SMT 180° TYPE

PLATING:
A-Au1U"
J-Ni-PLATING
K-Sn-PLATING

MATERIAL:
1A-PBT BLACK
1B-PA66 BLACK
2A-PPA BROWN
2B-PPA BLACK
3A-PPS BROWN
3B-PPS BLACK
4A-LCP WHITE
4B-LCP BLACK
5A-PA9T BLACK
5B-PA46 BLACK



PCB Layout Diagram
Bottom View



UNLESS OTHERWISE SPECIFIED TOLERANCES		MYOUNG 美阳 www.meiyangdz.com	
DECIMALS: X :±0.30 X.X :±0.25 X.XX :±0.20 X.XXX :±0.10	ANGLES: X :±1° X.X :±0.5°	DSND YangFeng	DATE 2023-05-15
WEIGHT: SHEET 1 OF 1		CHKD ZhouRuicai	DATE 2023-05-15
		APVD XueShunyang	DATE 2023-05-15
TITLE: 电池盒BH-18650-3J Au SMT PA46		PART NO.: BH-18650-B5BA016	
UNIT: mm		REV.: A/0	OBJECT: MY
DRAW NO.:WD-CP-0304			

2	TERMINAL	6	STAINLESS STEEL, T=0.35mm	Au-Plating
1	HOUSING	1	PA46	BLACK
NO.	PART NAME	Q'TY	MATERIAL	PLATING & COLOR