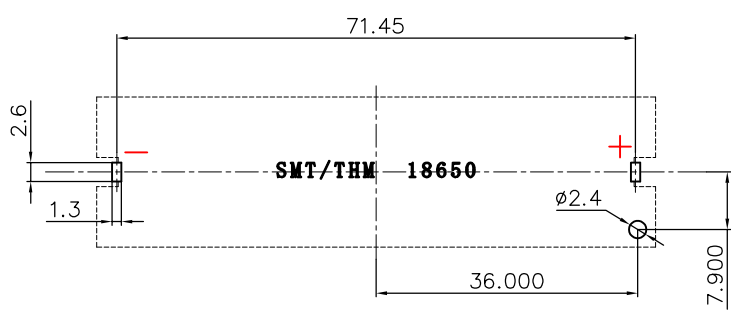
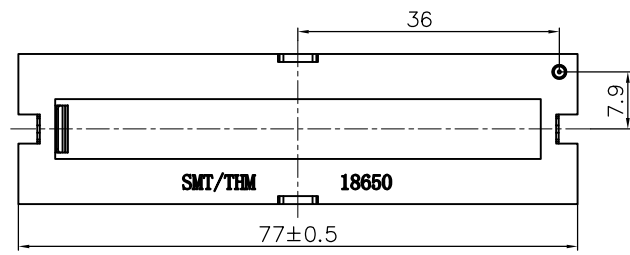
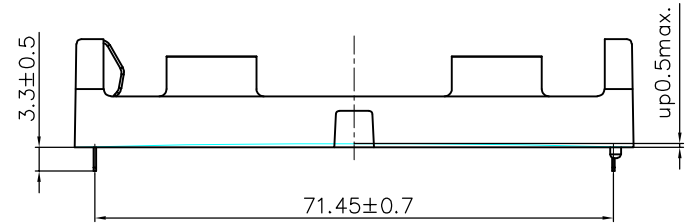
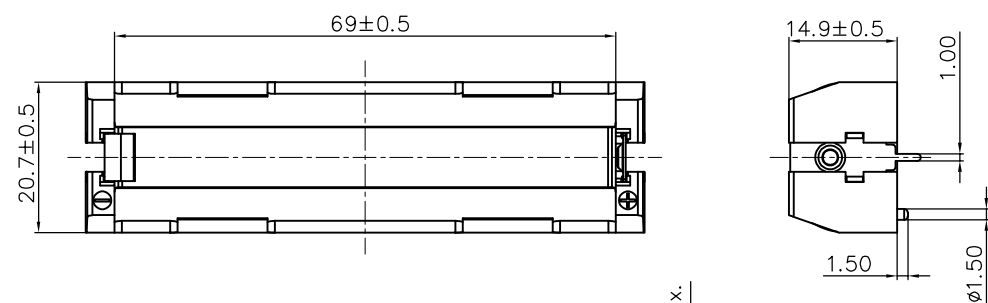


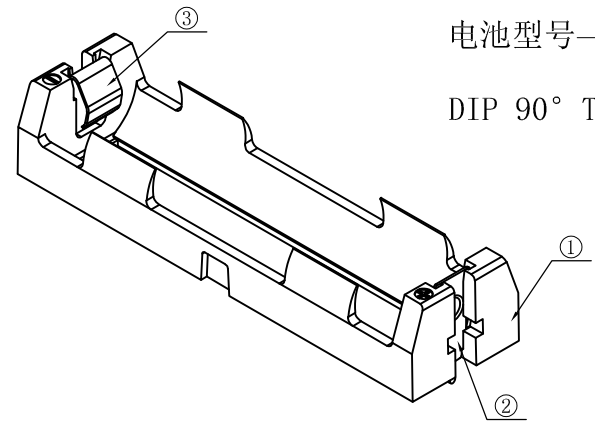


REV.	ECN NO.	REVISED	DATE

NOTE:
 1.MATERIAL:
 a.HOUSING:PA46 UL94 V-0 BLACK
 b.CONTACT:SUS304
 (SURFACE PLATING: Ni100U"~120U"")
 SEE ORDERING INFORMATION
 2.ELECTRIC:
 a.DIELECTNIC VOLTAGE: 500V AC ONE MINUTE
 b.OPERATING TEMPERATURE: -25°C~ +85°C



PCB Layout Diagram
TOP View



ORDERING INFORMATION
BH-18650-A6AJ002

电池盒
 电池型号
 DIP 90° TYPE

PLATING:
 A-Au1U"
 J-Ni100U"~120U"
 K-Sn100U"~120U"

MATERIAL:
 1A-PBT BLACK
 1B-PA66 BLACK
 2A-PPA BROWN
 2B-PPA BLACK
 3A-PPS BROWN
 3B-PPS BLACK
 4A-LCP WHITE
 4B-LCP BLACK
 5A-PA9T BLACK
 6A-PA46 BLACK



3	TERMINAL-	1	SUS304 T=0.35MM	Ni(100-120u")-Plating
2	TERMINAL+	1	SUS304 T=0.35MM	Ni(100-120u")-Plating
1	HOUSING	1	PA46 UL94 V-0	BLACK
NO.	PART NAME	Q'TY	MATERIAL	PLATING & COLOR

UNLESS OTHERWISE SPECIFIED TOLERANCES		MYOUNG 美用 www.meiyangdz.com	
DECIMALS: X :±0.50 X.X :±0.30 X.XX :±0.25 X.XXX :±0.1	ANGLES: X :±3° X.X :±1°	DSND	Lieqinghuang
		DATE	2023-06-17
		CHKD	ZhouRuicai
		DATE	2023-06-17
		APVD	XueShunyong
		DATE	2023-06-17
		SCALE:	VIEW:
		SIZE: A4	
		UNIT: mm	REV.: A/0
		SHEET 1 OF 1	OBJECT: MY
		TITLE: 电池盒BH-18650-1J Ni DIP PA46	
		PART NO.: BH-18650-A6AJ002	
		DRAW NO.:WD-CP-0361	