



REV.	ECN NO.	REVISED	DATE

NOTE:

1.MATERIAL:

a.HOUSING:ABS BLACK

b.CONTACT:STEEL

(SURFACE PLATING: Ni-PLATING)

SEE ORDERING INFORMATION

2.ELECTRIC:

a.DIELECTRIC VOLTAGE: 500V AC ONE MINUTE

b.OPERATING TEMPERATURE: -10° C~ +100° C

ORDERING INFORMATION

BH-18650-A5BJ001-2D

电池盒

电池型号

DIP 90° TYPE

PLATING:

A-Au1U"

J-Ni-PLATING

K-Sn-PLATING

MATERIAL:

1A-PBT BLACK

1B-PA66 BLACK

2A-PPA BROWN

2B-PPA BLACK

3A-PPS BROWN

3B-PPS BLACK

4A-LCP WHITE

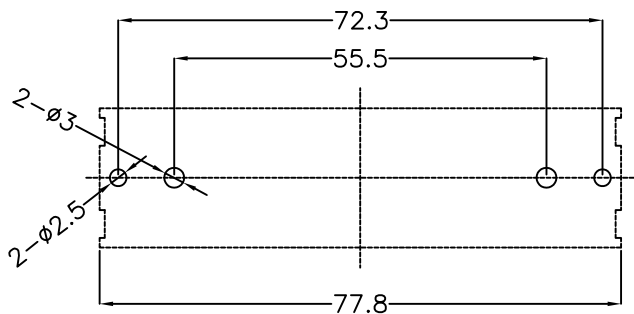
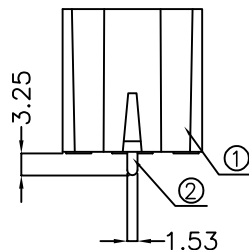
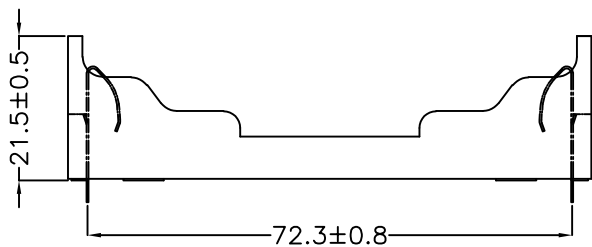
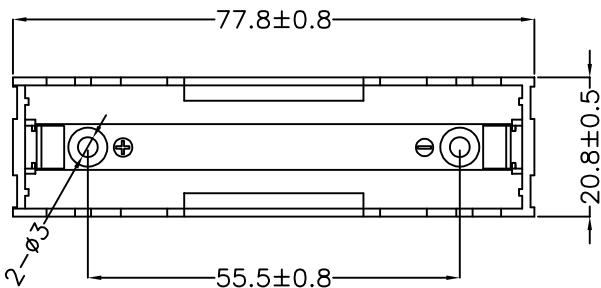
4B-LCP BLACK

5B-ABS BLACK

工程部

2023-09-08

H. WANG



PCB Layout Diagram
Bottom View

UNLESS OTHERWISE SPECIFIED TOLERANCES		MYOUNG 美用 www.meiyangdz.com			
DECIMALS: X :±0.30 X.X :±0.25 X.XX :±0.20 X.XXX :±0.10	ANGLES: X :±1° X.X :±0.5°	DSND	YangFeng	DATE	2023-09-08
WEIGHT:		CHKD	ZhouRuicai	DATE	2023-09-08
SHEET 1 OF 1		APVD	XueShunyong	DATE	2023-09-08
TITLE:		电池盒BH-18650-1J Ni DIP 二代			
PART NO.:		BH-18650-A5BJ001-2D			
DRAW NO.:		WD-CP-0336			

2	TERMINAL	1	STEEL, T=0.3MM	Ni-Plating
1	HOUSING	1	ABS	BLACK
NO.	PART NAME	Q'TY	MATERIAL	PLATING & COLOR