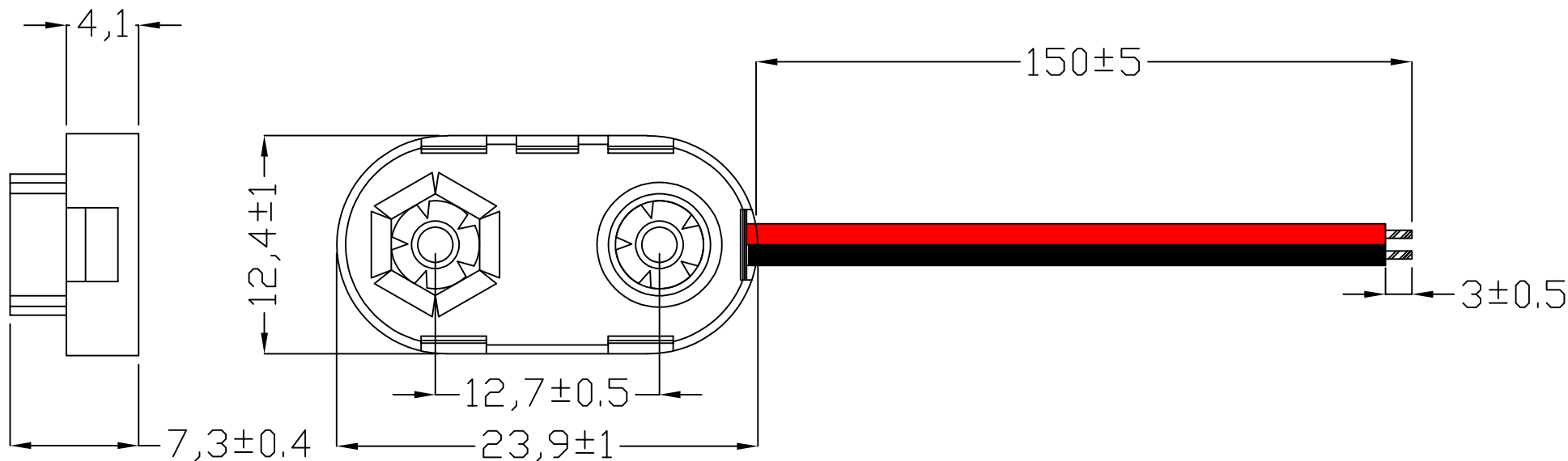




REV.	ECN NO.	REVISED	DATE



工程部  
2022-05-20  
H. WANG

UNLESS OTHERWISE SPECIFIED TOLERANCES		<b>MYOUNG 美阳</b> <a href="http://www.meiyangdz.com">www.meiyangdz.com</a>	
DECIMALS: X :±0.30 X.X :±0.25 X.XX :±0.20 X.XXX :±0.10	ANGLES: X :±1° X.X :±0.5°	DSND YangFeng	DATE 2022-05-20
WEIGHT:		CHKD ZhouRuicai	DATE 2022-05-20
		APVD XueShunyong	DATE 2022-05-20
SHEET 1 OF 1		SCALE:	SIZE: A4
		UNIT: mm	REV.: A/0
		VIEW:	OBJECT: MY
		TITLE: 9V 电池扣 (I 字型胶壳铜扣) 26# 线长 150mm 剥皮上锡 3mm	
		PART NO.: BE-13-018	
		DRAW NO.: WD-CP-0212	

NO.	PART NAME	Q'TY	MATERIAL	PLATING & COLOR
2	电池扣	1	9V 电池扣胶壳/铜扣	Ni-Plating
1	线材	1	UL1007 26AWG 红黑单线	剥皮上锡 3MM