

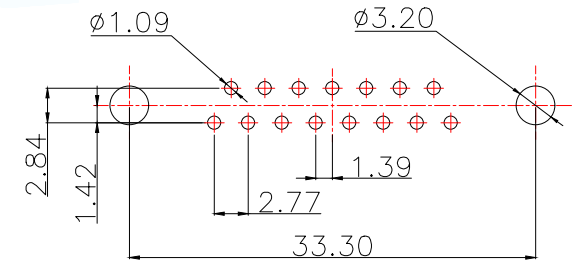
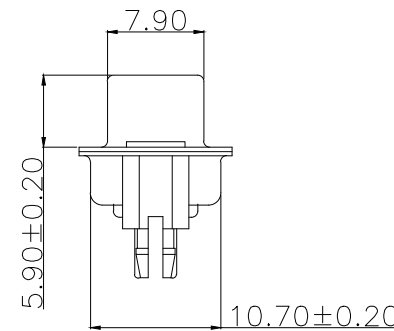
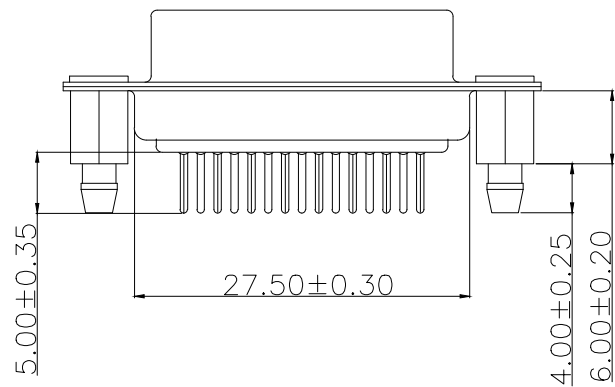
-, MATERIAL:

1. Insulator: PBT+30% Glass Fiber
2. Contact: Brass
3. Contact Plated: Gold Flash over Tin Or Glod Plated Or Tin Plated
4. Shell: Steel, Nickel Plated

≡, SPECIFICATION:

1. Current Rating: 3 AMPS
2. Insulation Resistance: 100MΩ MIN. At 500VDC
3. Dielectric Strength: 500V for One minute
4. Operation Temperature: -55° C~+105° C.

✳【胶芯颜色、防火要求、环保要求及电镀规格 依据客户实际订单要求为准】



RECOMMEND PCB LAYOUT (T=1.6)

PCB TOLERANCE: ±0.05

MANUFACTURE DWG		 东莞市讯普电子科技有限公司 DongGuan XunPu Electronics Co.,Ltd	
UNLESS OTHERWISE SPECIFIED TOLERANCES			TITLE: DP15F 插板铜鱼叉
			PAR D-SUB-DP-15PYM-AW
DECIMALS:	ANGLES:		DWN
X.X±0.30	X.*±5°		CHKD
X.XX±0.25	X.X*±2°	APVD	
X.XXX±0.15	X.XX*±1°	CUSTOMER COPY	SCALE N:A UNIT:MM
		SIZE:A4	UNIT:MM
		SHEET:1F1	REV:A