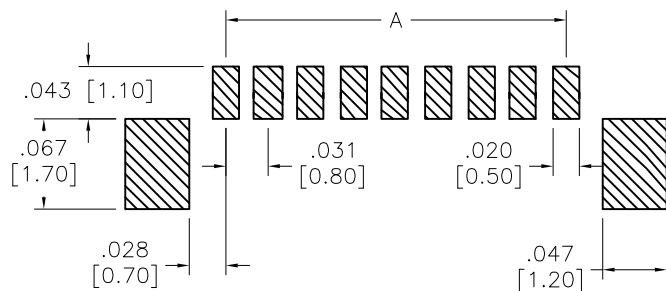
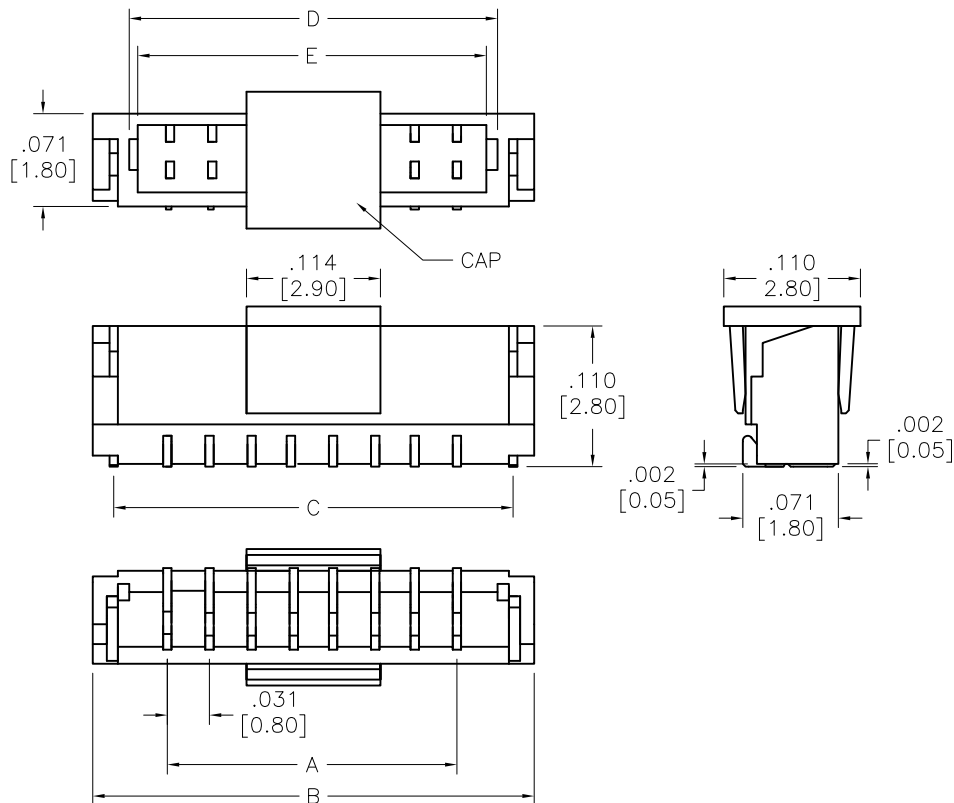


APPROVED: _____
 DATE: _____ TITLE: _____

| Rev | AWO # | Description | Date | Appr |
|-----|-------|----------------|----------|-------|
| - | | RELEASED | 4/12/18 | |
| A | | UPDATE SPEC. | 4/30/19 | AY/TW |
| B | | UPDATE DRAWING | 10/31/19 | AY/LW |



RECOMMENDED PCB LAYOUT



PACKAGED ON TAPE & REEL

Positions: 02 thru 22

A = .031 [0.80] x No. of Spaces

B = .031 [0.80] x No. of Spaces + .118 [3.00]

C = .031 [0.80] x No. of Spaces + .087 [2.20]

D = .031 [0.80] x No. of Spaces + .063 [1.60]

E = .031 [0.80] x No. of Spaces + .047 [1.20]

SPECIFICATIONS:

Material:

Insulator: Hi-Temp Thermoplastic, rated UL 94V-0

Insulator color: Natural

Contacts: Phosphor Bronze

Plating:

Gold flash over Nickel underplate overall

Electrical:

Voltage rating: 30 V AC/DC

Current rating: 0.5 A AC/DC (32 Awg wire)

0.2 A AC/DC (36 Awg wire)

Contact resistance: 0.02 Ω max

Insulation resistance: 50 MΩ min

Dielectric withstanding voltage: 200 VAC for 1 minute

Temperature Rating:

-25°C to +85°C

Environmental:

Lead free, RoHS compliant



| UNLESS OTHERWISE SPECIFIED ALL DIMENSIONS ARE INCHES [MM] TOLERANCES: EXCEPT AS NOTED | | | |
|---|--------|-------|--------|
| INCHES | | HOLES | |
| .X | ± .10 | ∅X | ± .10 |
| .XX | ± .020 | ∅XX | ± .015 |
| .XXX | ± .015 | ∅XXX | ± .010 |

ADAM
TECH
INTERCONNECTS

909 Rahway Avenue,
 Union, NJ 07083
 Phone: 908-687-5000
 Fax: 908-687-5710

| APPROVALS | | DATE |
|-----------|----|---------|
| DRAWN | HR | 4/12/18 |
| CHECKED | RT | 4/12/18 |
| APPROVED | | |

| TITLE | | | |
|---|-------------------------|--------------|-----|
| .031 [0.80] PITCH HEADER, STRAIGHT TYPE | | | |
| SIZE | PART NO. | REV. | |
| X | 08SH-A-XX-GS-SMT-PP-T/R | B | |
| REF: | S00015T | SCALE: | NTS |
| | | SHEET 1 OF 1 | |