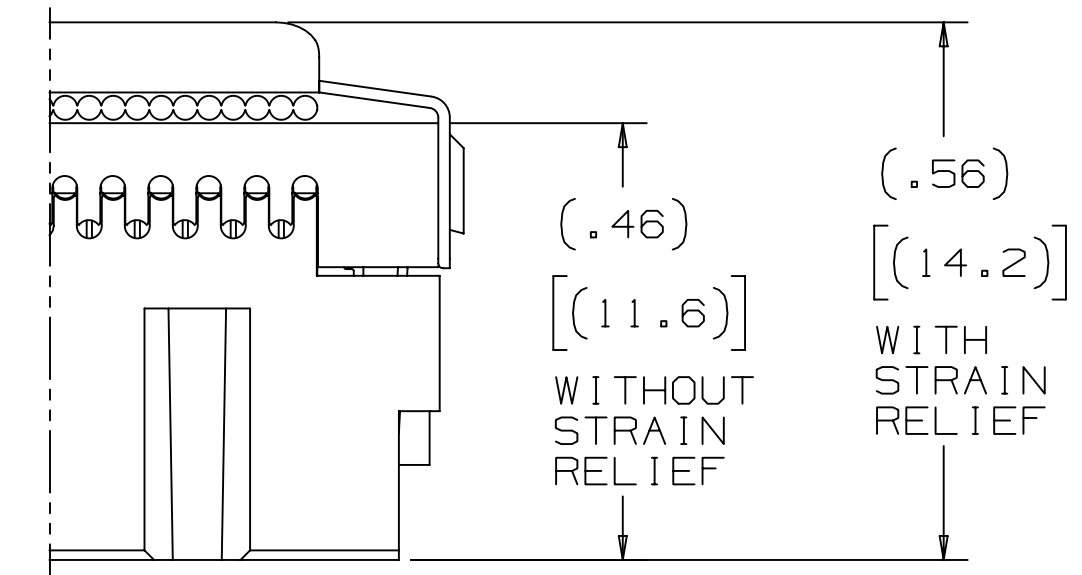
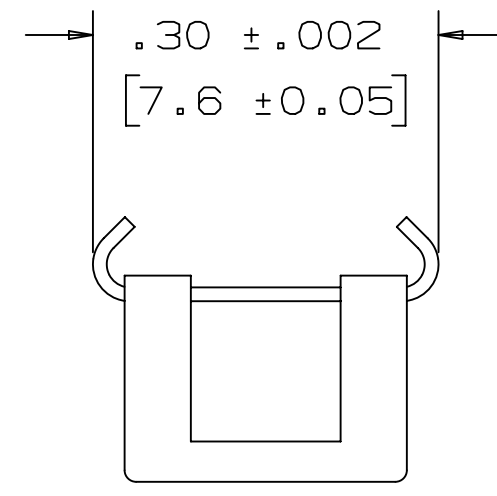
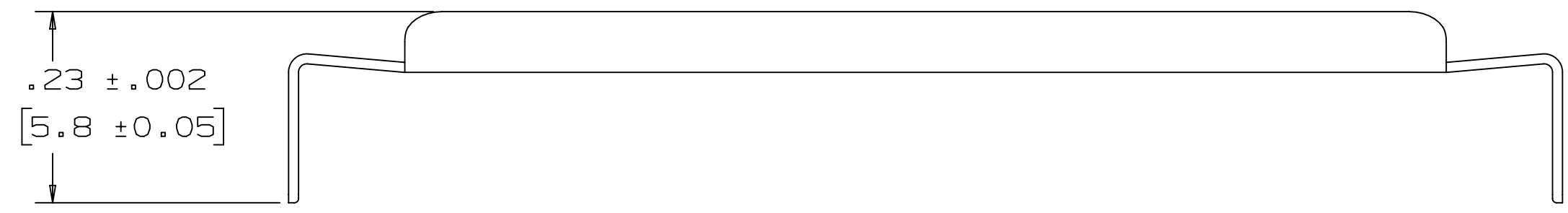


3M™ TRIPOLARIZED WIREMOUNT SOCKET, 820 SERIES
 .050" X .100" FOR .025" PITCH CABLE



ASSEMBLED HEIGHT

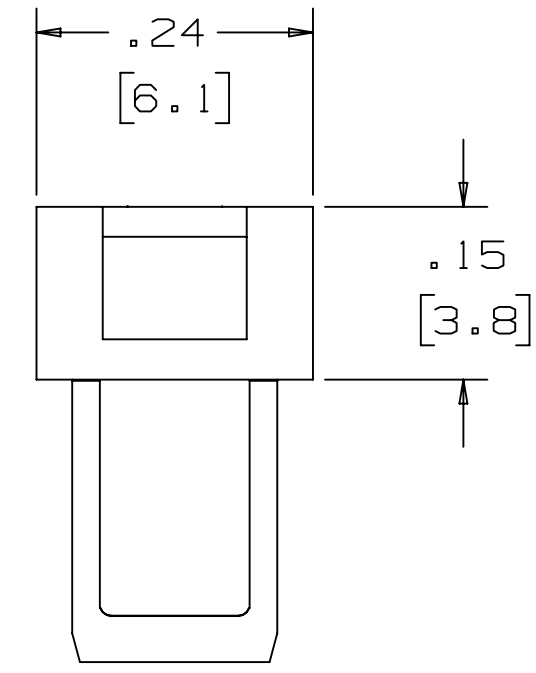
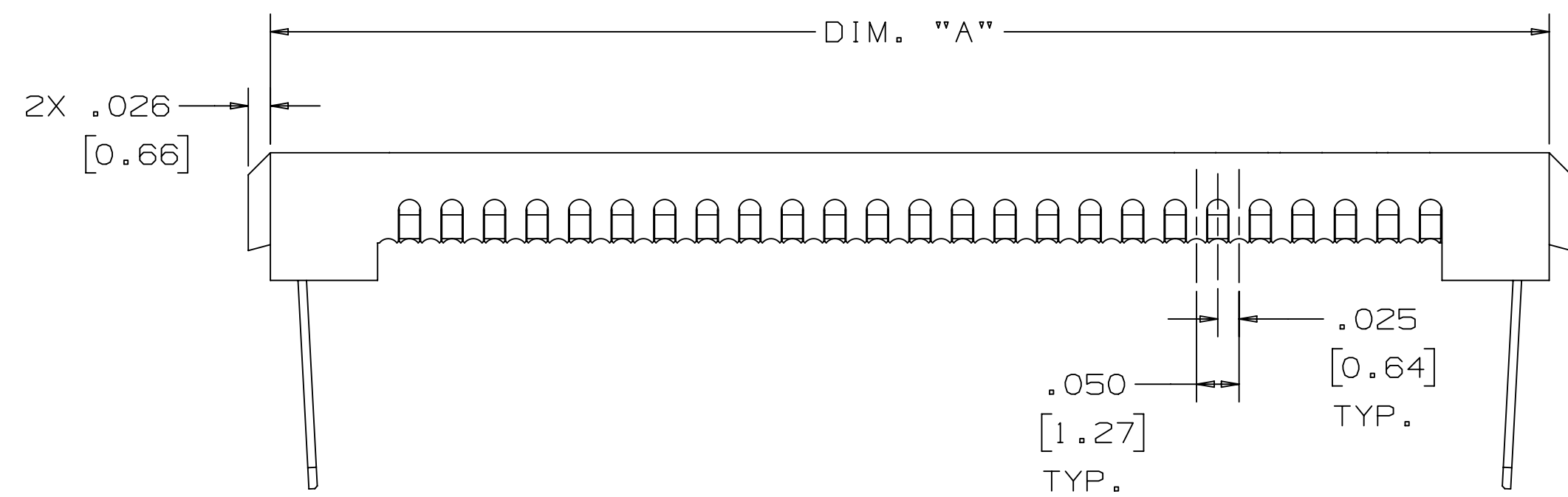
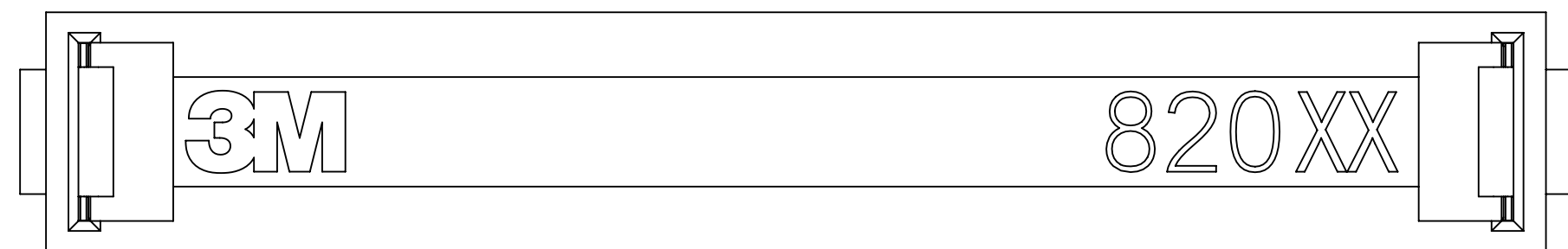
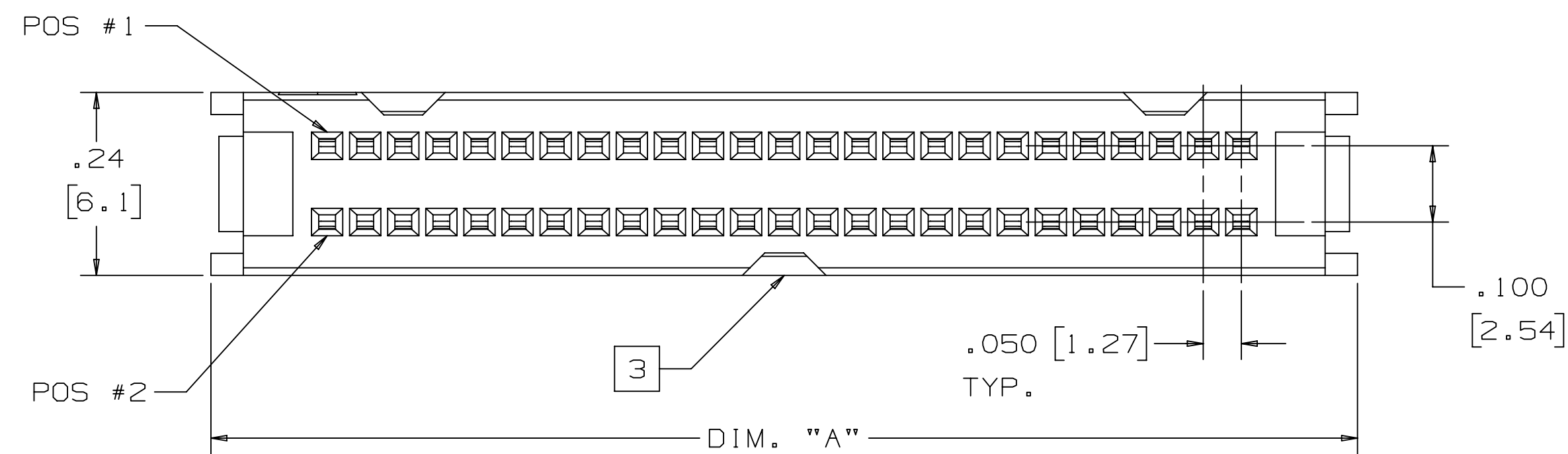
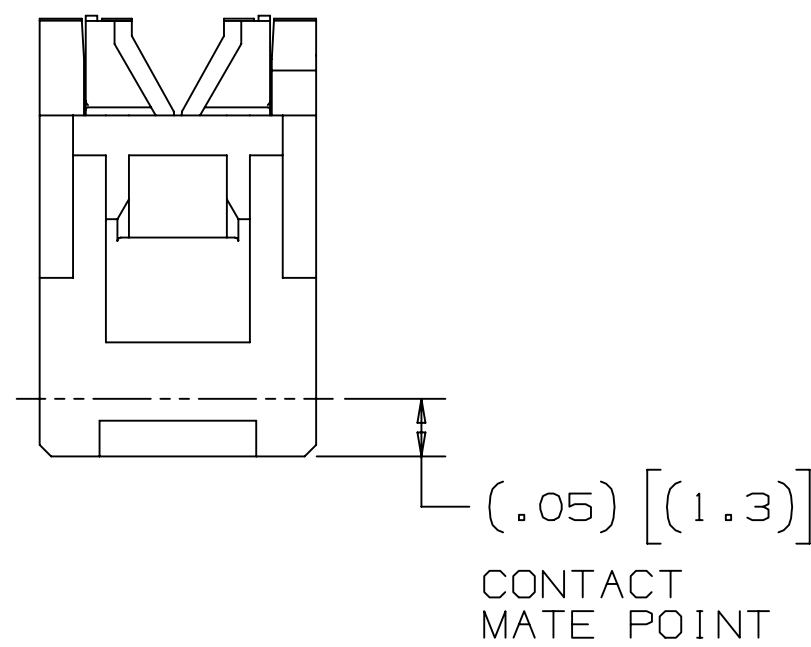
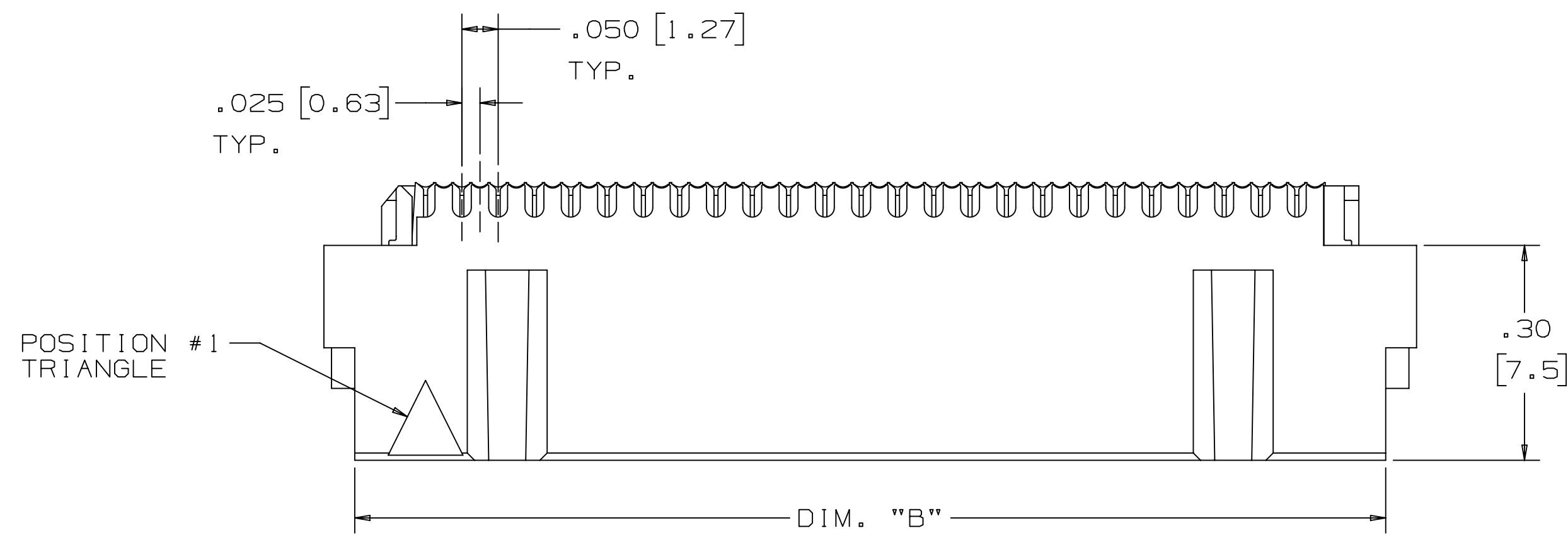


TABLE 1		
CONTACT QTY	DIM. "A"	DIM. "B"
020	.755 [19.18]	.670 [17.02]
026	.905 [22.99]	.820 [20.83]
036	1.155 [29.34]	1.070 [27.18]
040	1.255 [31.88]	1.170 [29.72]
050	1.505 [38.23]	1.420 [36.07]
060	1.755 [44.58]	1.670 [42.42]
068	1.955 [49.66]	1.870 [47.50]
080	2.255 [57.28]	2.170 [55.12]
100	2.755 [69.98]	2.670 [67.82]



3M ELECTRONICS MATERIALS SOLUTIONS DIVISION
 INTERCONNECT SOLUTIONS
<http://www.3M.com/interconnect>

3M IS A TRADEMARK OF 3M COMPANY.
 FOR TECHNICAL, SALES OR ORDERING
 INFORMATION CALL 800-225-5373

DESIGN REFERENCE	NEXT ASSEMBLY	REV	ECO	ISSUE DATE AND DESCRIPTION	DRFT	CHKD
		DRFT	CASTIGLIONE	DATE	JAN 10, 2022	MFG
		CHKD		DATE	JAN 10, 2022	APPV
				DATE	JAN 10, 2022	S. NEU
DIVISION	DIVISION CODE	© 3M COPYRIGHT 2023 This document and the information it contains are 3M property and may not be reproduced or further distributed without 3M permission, or used or disclosed other than for 3M authorized purposes. All rights reserved.				
DO NOT SCALE DRAWING	SCALE	TOLERANCES EXCEPT AS NOTED INCHES .0 ± .1 .00 ± .01 .000 ± .005 .0000 ± .0002				
THIRD ANGLE PROJECTION		MILLIMETERS 0 ± .0 ± .00 ± .000 ±				
MAX SURFACE ROUGHNESS		INTERPRET PER ASME Y14.5 - 2018 ALL SURFACES MARKED ONLY				
		TITLE TRIPOLARIZED WIREMOUNT SOCKET, .050 X .100			CAGE NUMBER D78-5100-0254-2	
		MODEL B20			REV. F	

DRAWING NUMBER 78-5100-0254-2

REVISION F

SHT 2 OF 3

3M™ TRIPOLARIZED WIREMOUNT SOCKET, 820 SERIES

.050" X .100" FOR .025" PITCH CABLE

Regulatory: For regulatory information about this product, visit 3M.com/regs or contact your 3M representative.

Technical Information: The technical information, guidance, and other statements contained in this document or otherwise provided by 3M are based upon records, tests, or experience that 3M believes to be reliable, but the accuracy, completeness, and representative nature of such information is not guaranteed. Such information is intended for people with knowledge and technical skills sufficient to assess and apply their own informed judgment to the information. No license under any 3M or third party intellectual property rights is granted or implied with this information.

Product Use: Many factors beyond 3M's control and uniquely within user's knowledge and control can affect the use and performance of a 3M product in a particular application. As a result, customer is solely responsible for evaluating the product and determining whether it is appropriate and suitable for customer's application, including conducting a workplace hazard assessment and reviewing all applicable regulations and standards (e.g., OSHA, ANSI, etc.). Failure to properly evaluate, select, and use a 3M product in accordance with all applicable instructions and with appropriate safety equipment, or to meet all applicable safety regulations, may result in injury, sickness, death, and/or harm to property.

Warranty, Limited Remedy, and Disclaimer: Unless a different warranty is specifically stated on the applicable 3M product packaging or product literature (in which case such warranty governs), 3M warrants that each 3M product meets the applicable 3M product specification at the time 3M ships the product. 3M MAKES NO OTHER WARRANTIES OR CONDITIONS, EXPRESS OR IMPLIED, INCLUDING, BUT NOT LIMITED TO, ANY IMPLIED WARRANTY OR CONDITION OF MERCHANTABILITY, FITNESS FOR A PARTICULAR PURPOSE, OR ANY IMPLIED WARRANTY OR CONDITION ARISING OUT OF A COURSE OF DEALING, CUSTOM, OR USAGE OF TRADE. If a 3M product does not conform to this warranty, then the sole and exclusive remedy is, at 3M's option, replacement or repair of the 3M product or refund of the purchase price.

Limitation of Liability: Except for the limited remedy stated above, and except to the extent prohibited by applicable law, 3M will not be liable for any loss or damage arising from or related to the 3M product, whether direct, indirect, special, incidental, or consequential (including, but not limited to, lost profits or business opportunity), regardless of the legal or equitable theory asserted, including, but not limited to, warranty, contract, negligence, or strict liability.

Disclaimer: For industrial use only. Not intended, labeled or packaged for consumer sale or use.

3M Company
 Electronics Materials Solutions Division
 13011 McCallen Pass, Bldg. C
 Austin, TX 78753-5380
 1-800-225-5373
www.3M.com/interconnect

3M ELECTRONICS MATERIALS SOLUTIONS DIVISION
 INTERCONNECT SOLUTIONS
<http://www.3M.com/interconnect>

3M IS A TRADEMARK OF 3M COMPANY.
 FOR TECHNICAL, SALES OR ORDERING
 INFORMATION CALL 800-225-5373

DESIGN REFERENCE	NEXT ASSEMBLY	REV	ECO	ISSUE DATE AND DESCRIPTION	DRFT	CHKD
		DRFT	CASTIGLIONE	DATE	JAN 10, 2022	MFG
		CHKD		DATE	JAN 10, 2022	APPV
				DATE	JAN 10, 2022	S. NEU
DIVISION	DIVISION CODE	© 3M COPYRIGHT 2023 This document and the information it contains are 3M property and may not be reproduced or further distributed without 3M permission, or used or disclosed other than for 3M authorized purposes. All rights reserved.				
DO NOT SCALE DRAWING	SCALE	TOLERANCES EXCEPT AS NOTED INCHES .0 ± .1 .00 ± .01 .000 ± .005 .0000 ± .0002 MILLIMETERS 0 ± .0 ± .00 ± .000 ±				
THIRD ANGLE PROJECTION	INTERPRET PER ASME Y14.5 - 2018	TITLE TRIPOLARIZED WIREMOUNT SOCKET, .050 X .100				
MAX SURFACE ROUGHNESS	ALL SURFACES	CAGE NUMBER	SIZE	DRAWING NO.	REV.	
<input checked="" type="checkbox"/> MARKED ONLY	ANGLES ±	D	820	78-5100-0254-2	F	
		MODEL	B20	DET	ISTS	YES <input type="checkbox"/> NO <input checked="" type="checkbox"/> SHT 3 OF 3

78-5100-0254-2 Revision