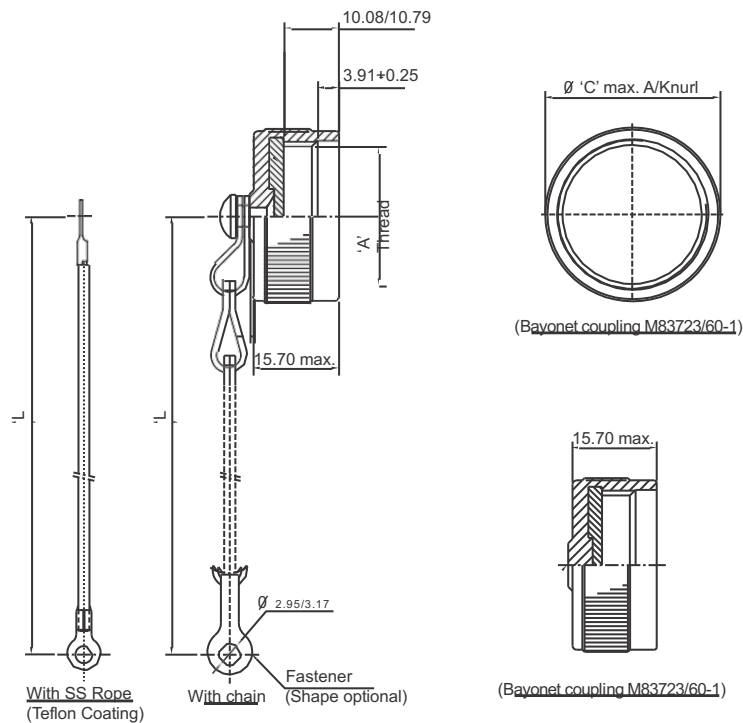


# MIL-DTL-83723/60-1 RECEPTACLE DUST CAP

## MIL-DTL-26500 Series III

M83723/60-1	SHELL SIZE	FINISH	STYLE
Designated Receptacle Cover	8	W - Cadmium	P - w/ Chain Length 8in + .25in
	10		C - w/ Chain Length 5in + .25in
	12		R - w/ Rope Length 5in + .25in
	14	R - Electroless Nickel	T - w/ Rope Length 8in + .25in
	16	A - Anodized Black	N - w/o Chain
	18	Z - Black Zinc Nickel	
	20		
	22		
	24		



All dimensions are in mm.

Shell Size	A Thread UNEF-2A		C Ø Max.		Chain S/Assembly L		SS Rope S/Assembly L	
	mm	in	mm	in	+6.35 -0.0		+6.35 -0.0	
					mm	in	mm	in
8	0.5625-24	0.02-0.94	19.71	0.78	127.0	5	203.20	8
10	0.6875-24	0.03-0.94	23.01	0.91				
12	0.8750-20	0.03-0.79	27.38	1.078				
14	0.9375-20	0.04-0.79	28.98	1.14				
16	1.0625-18	0.04-0.71	32.16	1.27				
18	1.1875-18	0.050.71	34.93	1.378				
20	1.3125-18	0.050.71	38.35	1.51				
22	1.4375-18	0.050.71	41.28	1.63				
24	1.5625-18	0.060.71	44.70	1.76				