

# P1AD-29FF

RF Adapter, 2.92mm Female to 2.92mm Female, VSWR 1.25max, DC to 40 GHz

## Product Features

P1dB's P1AD-29FF is a straight 2.92mm Female to 2.92mm Female adapter that operates to 40 GHz with a maximum VSWR of 1.25:1. The material is passivated stainless steel.



Electrical Specification:  $T_{\text{Ambient}} = 25^{\circ}\text{C}$

Parameter	Frequency Range	Units	Min	Typical	Max	Notes
Impedance				50.0		

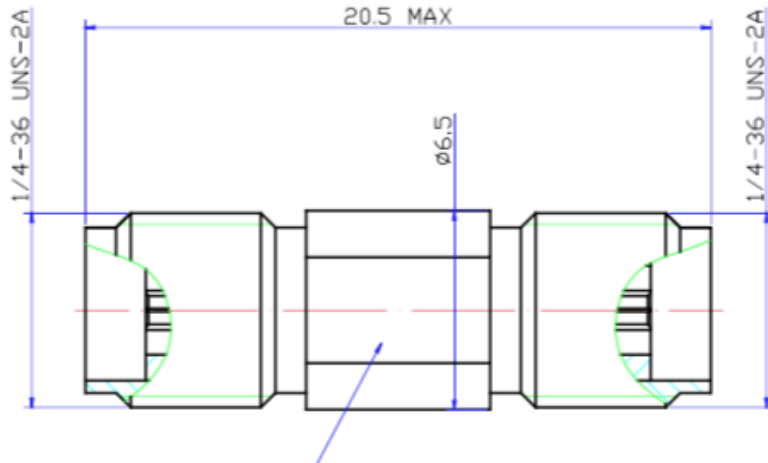
Mechanical And Environmental Specifications:

Parameter	Description	Notes
Connector 1	2.92mm Female	
Connector 2	2.92mm Female	
Orientation	Straight	
Mount Type	None	
RoHS Compliance	Yes	

Drawing

# P1AD-29FF

RF Adapter, 2.92mm Female to 2.92mm Female, VSWR 1.25max, DC to 40 GHz



## Product Notes

-40 to +85 deg C operating temp range.