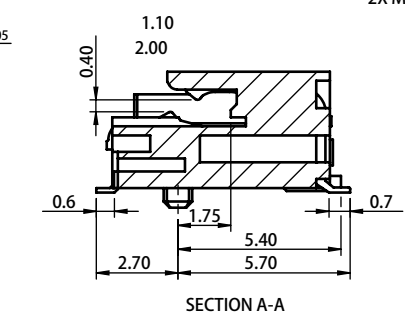
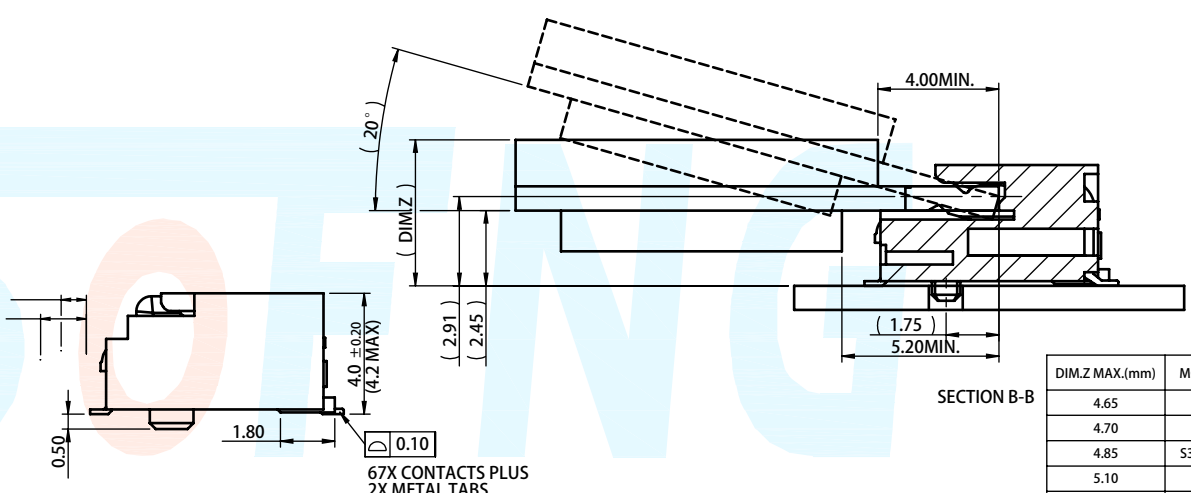
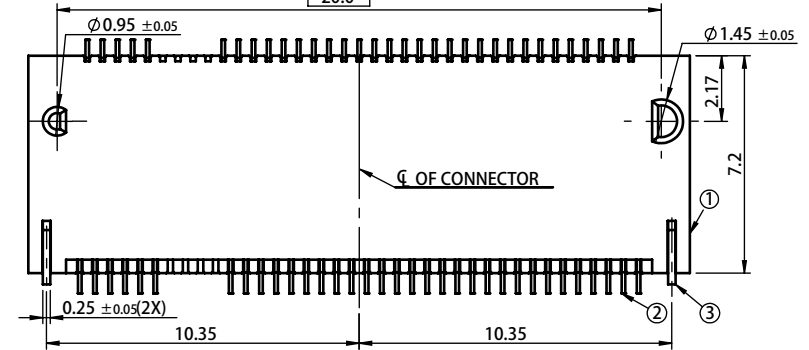
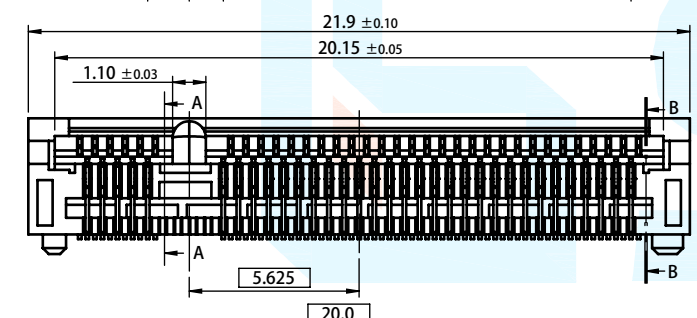
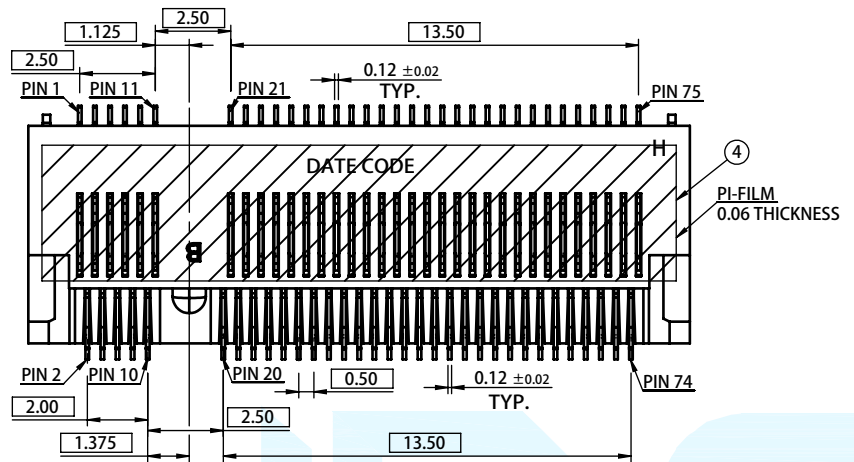


REVISION			
LTR	DESCRIPTION	DATE	APP
AO	NEW RELEASE	08/27/2021	PECK

SOLIDWORK GENERATED DRAWING,DON'T CHANGE BY HAND

- NOTES:
- ELECTRICAL CHARACTERISTICS:
 - CONTACT CURRENT RATING: 0.5 AMPERE MAX. PER PIN.
 - VOLTAGE RATING: 50V AC.
 - INSULATION RESISTANCE :500 MEGAOHMS MIN. AT 500V DC.
 - DIELECTRIC WITHSTANDING VOLTAGE: 300V AC RMS AT 60Hz, FOR 1 MINUTE.
 - CONTACT RESISTANCE: 55 MILLIOHMS MAX. PER PIN INITIAL.
 ≤ 20 MILLIOHMS MAX. PER PIN AFTER FULL ENVIRONMENT TESTING.
 - MECHANICAL CHARACTERISTICS: DURABILITY:60 MATING CYCLES.
 - OPERATION TEMPERATURE:-40 °C TO +80 °C.
 - RECOMMENDED PROCESS CONDITION: SMT, PEAK TEMPERATURE:260 °C, 10~20S.
 - PLEASE CONTACT FOXCONN SALES REPRESENTATIVE TO VERIFY PRODUCT DETAIL & AVAILABILITY.

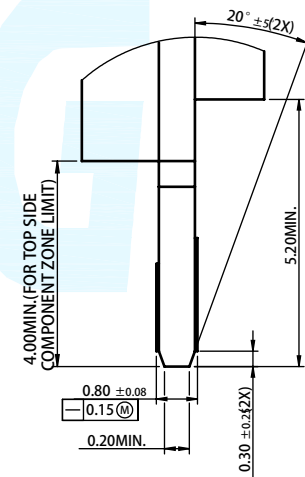
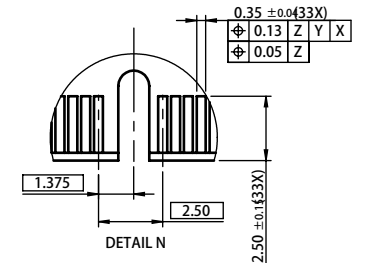
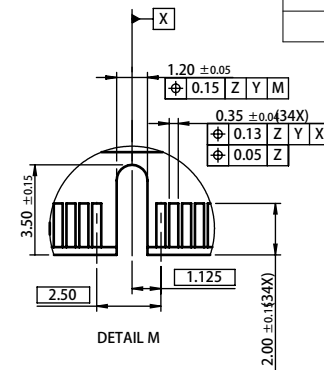
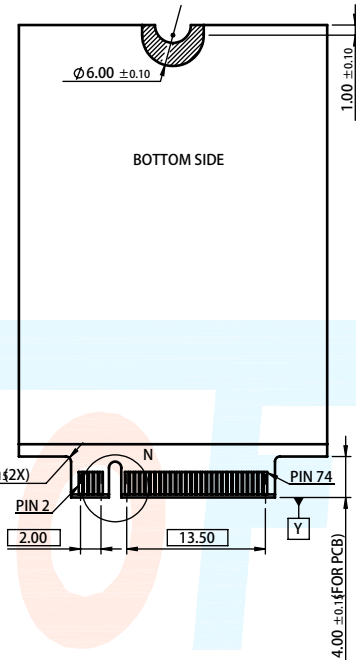
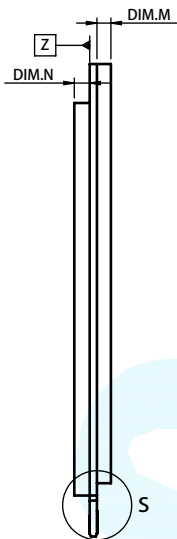
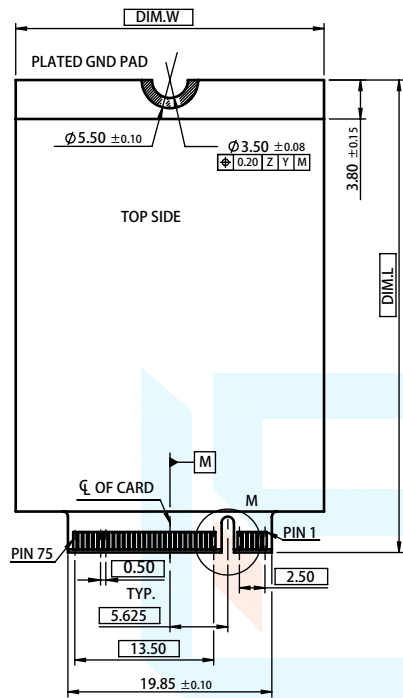


DIM.Z MAX.(mm)	MODULE TYPE
4.65	S1&D1
4.70	S2&D2
4.85	S3&D3&D4&D5
5.10	S4
5.35	S5

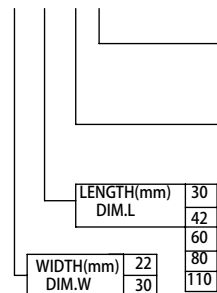
ITEM	DESCRIPTION	MATERIAL	QTY	TREATMENT
④	PI-FILM	POLYIMIDE	1	BROWN COLOR
③	METAL TAB	STAINLESS STEEL (SUS301)	2	10u" NICKEL UNDER PLATING 100u" MATTE TIN PLATING OVER ALL
②	CONTACT	PHOSPHOR BRONZE (C5210R-SH)	67	50u" NICKEL UNDER PLATING GOLD FLASH PLATING AT TAIL AREA GOLD FLASH OR 5u" GOLD PLATING OR 10u" GOLD PLATING OR 15u" GOLD PLATING OR 30u" GOLD PLATING AT CONTACT AREA
①	HOUSING	LCP (6808)	1	UL94V-0, HALOGEN FREE, BLACK COLOR

DIMENSION CLASSIFICATION		台灣碩方精密電子科技有限公司		SOFNG
■ : CRITICAL ☒ : MAJOR		TAIWAN SOFNG PRECISION ELECTRONIC CO., LTD		
TOLERANCE TABLE		TITLE	PCIE-67P42H	
.X	± 0.40	PART NO.	SOF-G006	
.XX	± 0.25	APPROVED	Peck	DWG NO. PCIE-67P42H
.XXX	± 0.10	CHECKED	Paul	SCALE 1:1 UNIT mm SIZE A4
ANGLE	± 2°	DRAWIN	David	REV AO SHEET NO. 1/3

REVISION			
LTR	DESCRIPTION	DATE	APP
AO	NEW RELEASE	08/27/2021	PECK



TYPE XX XX-XX-X

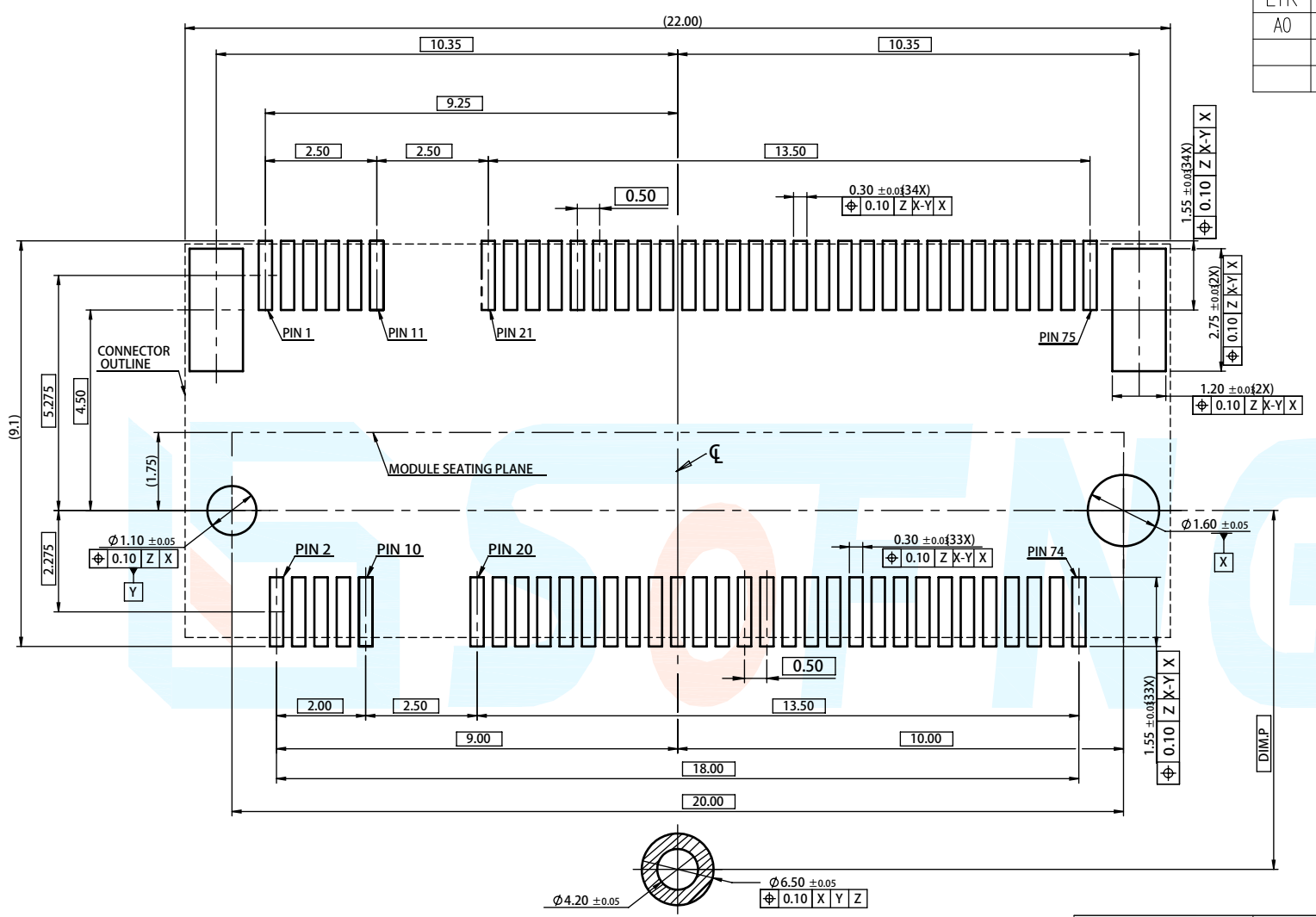


KEY ID

COMPONENT MAX HEIGHT(mm)		
TYPE	DIM.N	DIM.M
S1	1.2	0
S2	1.35	0
S3	1.5	0
S4	1.75	0
S5	2.0	0
D1	1.2	1.35
D2	1.35	1.35
D3	1.5	1.35
D4	1.5	0.7
D5	1.5	1.5

LENGTH(mm)	30
DIM.L	42
	60
	80
	110
WIDTH(mm)	22
DIM.W	30


DIMENSION CLASSIFICATION		台灣碩方精密電子科技有限公司		SOFNG
■ : CRITICAL ☒ : MAJOR		TAIWAN SOFNG PRECISION ELECTRONIC CO., LTD		
TOLERANCE TABLE		TITLE	PCIE-67P42H	開關, 連接器
.X	± 0.40	PART NO.	SOF-G006	SERIES SD106
.XX	± 0.25	APPROVED	Peck	DWG NO. PCIE-67P42H
.XXX	± 0.10	CHECKED	Paul	SCALE 1:1 UNIT mm SIZE A4
ANGLE	± 2°	DRAWIN	David	REV AO SHEET NO. 2/3



REVISION			
LTR	DESCRIPTION	DATE	APP
AO	NEW RELEASE	08/27/2021	PECK

22110	108.25
2280	78.25
2260	58.25
2242	40.25
2230	28.25
3042	40.25
3030	28.25
TYPE	DIM.P

DATUM Z IS THE PCB SOLDER SURFACE

DIMENSION CLASSIFICATION		台灣碩方精密電子科技有限公司		
■ : CRITICAL ☒ : MAJOR		TAIWAN SOFNG PRECISION ELECTRONIC CO., LTD		
TOLERANCE TABLE		TITLE	PCIE-67P42H	
.X	± 0.40	PART NO.	SOF-G006	
.XX	± 0.25	APPROVED	Peck	DWG NO. PCIE-67P42H
.XXX	± 0.10	CHECKED	Paul	SCALE 1:1 UNIT mm SIZE A4
ANGLE	± 2°	DRAWIN	David	REV AO SHEET NO. 3/3