

REVISION			
LTR	DESCRIPTION	DATE	APP
A0	NEW RELEASE	04/11/2023	PECK

Note:

1.Material:

- 1.1 Housing: High temperature thermoplastic,UL94v-0
- 1.2 Orbit: High temperature thermoplastic,UL94v-0
- 1.3 Contact: copper alloy;  
Gold plated contact area;Tin plated solder area
- 1.4 Shell:Stainless;Ni plated allover;  
Gold plated solder area

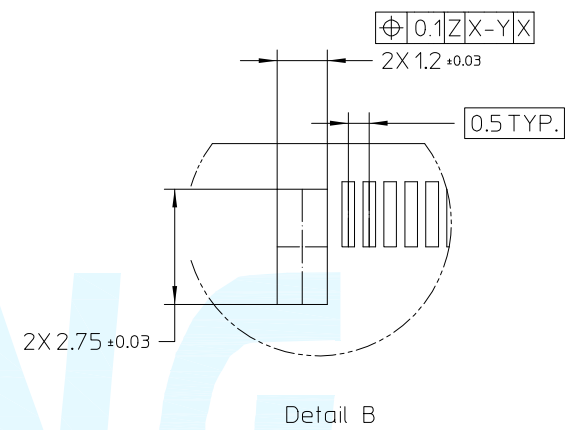
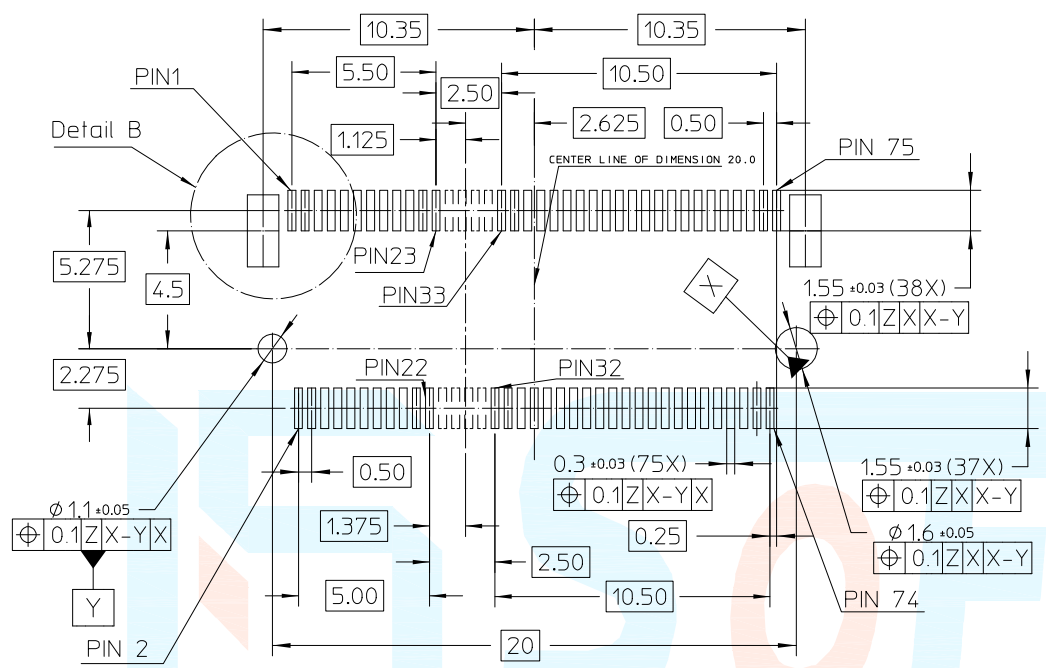
2.Specification:

- 2.1 Current rating: 0.5A Max
- 2.2 Voltage rating: 5V DC
- 2.3 Dielectric withstanding voltage:  
500V(AC) for 1 min.
- 2.4 Contact resistance: 100mΩ Max.
- 2.5 Insulation resistance: 1000MΩ min.
- 2.6 Temperature range: -25°C~85°C
- 2.7 Mating cycle:5000 cycles min
- 2.8 Insert force: 40N Max  
Extration force: 0.5~40N

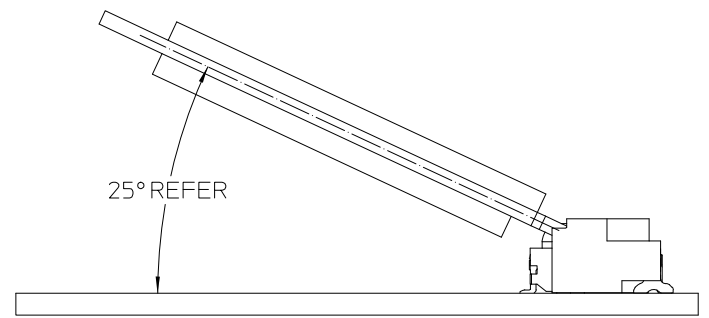
H
3.2mm
4.2mm

DIMENSION CLASSIFICATION		台灣碩方精密電子科技有限公司		SOFNG
<input checked="" type="checkbox"/> : CRITICAL <input checked="" type="checkbox"/> : MAJOR		TAIWAN SOFNG PRECISION ELECTRONIC CO., LTD		
TOLERANCE TABLE		TITLE	PCIE-67C32H M.2连接器 67PIN 二一分结构	
.X	± 0.40	PART NO.	PCIE-67C32H	SERIES SD106
.XX	± 0.25	APPROVED	Peck	DWG NO.
.XXX	± 0.10	CHECKED	Paul	SCALE 1:1 UNIT mm SIZE A4
ANGLE	± 2°	DRAWIN	David	REV AO SHEET NO. 1/3

REVISION			
LTR	DESCRIPTION	DATE	APP
A0	NEW RELEASE	04/11/2023	PECK

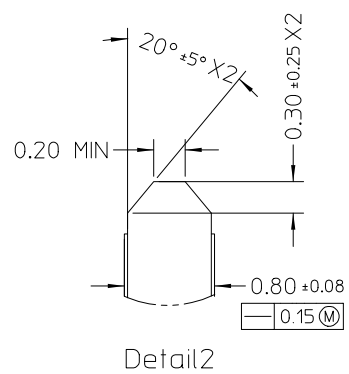
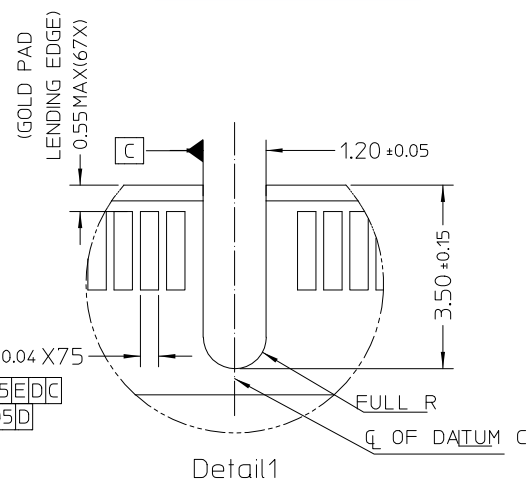
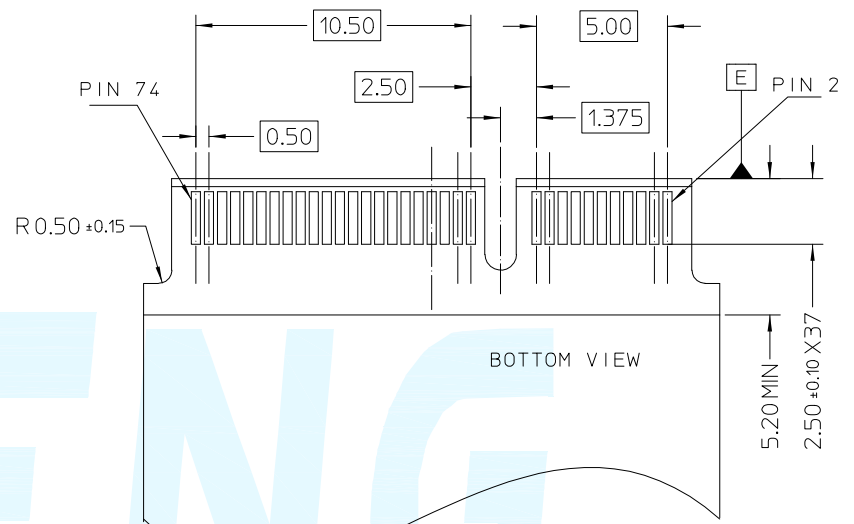
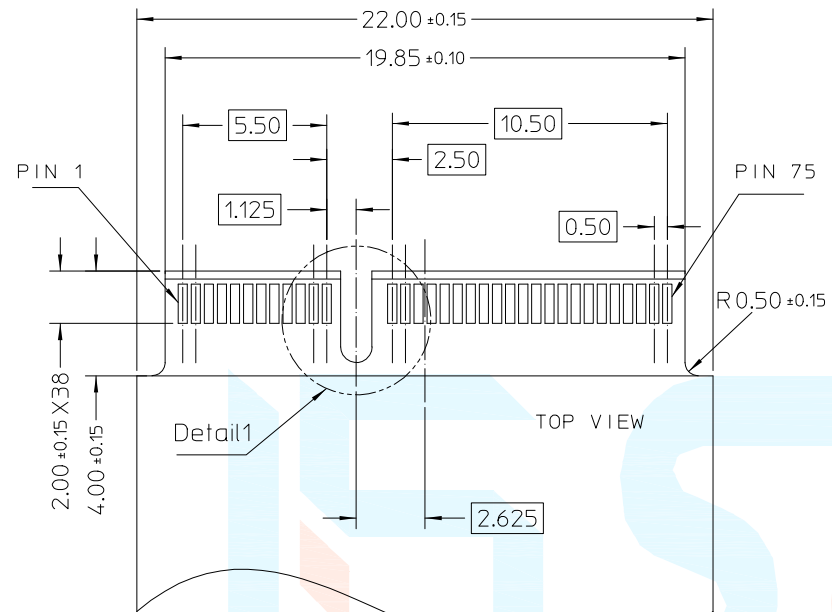



RECOMMENDED NGFF MINI CARD MOUNTING TYPE  
 DATUM Z: PCB SOLDER SURFACE  
 TOLERANCE: ±0.05



DIMENSION CLASSIFICATION		台灣碩方精密電子科技有限公司 TAIWAN SOFNG PRECISION ELECTRONIC CO., LTD		SOFNG	
■ : CRITICAL		TITLE		PCIE-67C32H M.2连接器 67PIN 二一分结构	
☒ : MAJOR		PART NO.		PCIE-67C32H	
TOLERANCE TABLE		APPROVED		DWG NO.	
.X	± 0.40	CHECKED		SCALE 1:1	
.XX	± 0.25	DRAWIN		UNIT mm	
.XXX	± 0.10	REV		SIZE A4	
ANGLE	± 2°	SHEET NO.		2/3	

REVISION			
LTR	DESCRIPTION	DATE	APP
A0	NEW RELEASE	04/11/2023	PECK



DIMENSION CLASSIFICATION		台灣碩方精密電子科技有限公司 TAIWAN SOFNG PRECISION ELECTRONIC CO., LTD		
■ : CRITICAL	☒ : MAJOR	TITLE	PCIE-67C32H M.2连接器 67PIN 二一分结构	
TOLERANCE TABLE		PART NO.	PCIE-67C32H	SERIES SD106
.X	± 0.40	APPROVED	Peck	DWG NO.
.XX	± 0.25	CHECKED	Paul	SCALE 1:1 UNIT mm SIZE A4
.XXX	± 0.10	DRAWIN	David	REV AO SHEET NO. 3/3