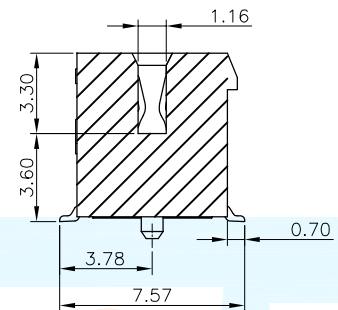
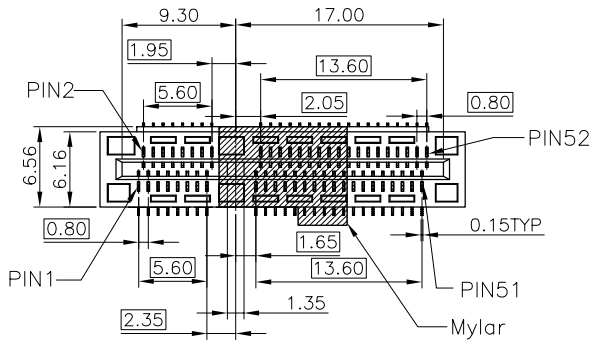
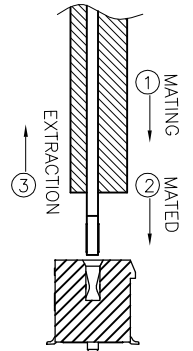
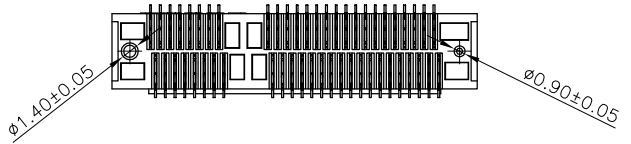
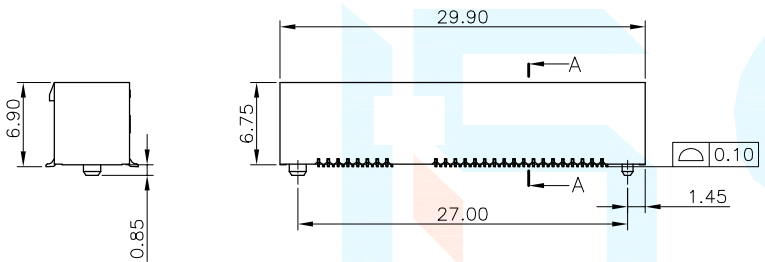


| REVISION |             |            |      |
|----------|-------------|------------|------|
| LTR      | DESCRIPTION | DATE       | APP  |
| A0       | NEW RELEASE | 05/20/2020 | PECK |
|          |             |            |      |



SECTION A-A  
SCALE 2:1



HOW TO MATE AND UNMATE  
MATE: ① → ②  
UNMATE: ③

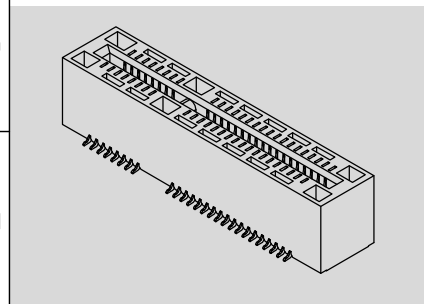
NOTES:

- MATERIAL:
  - HOUSING: LCP+40%GF,UL94V-0,BLACK.
  - CONTACT: BRASS C2680 T=0.15mm.
- FINISH:
  - CONTACTS:
    - 50u"MIN Ni UNDER PLATED OVER ALL.
    - Au PLATING ON CONTACT AREA (SEE TABLE),
- MECHANICAL PERFORMANCE,
 

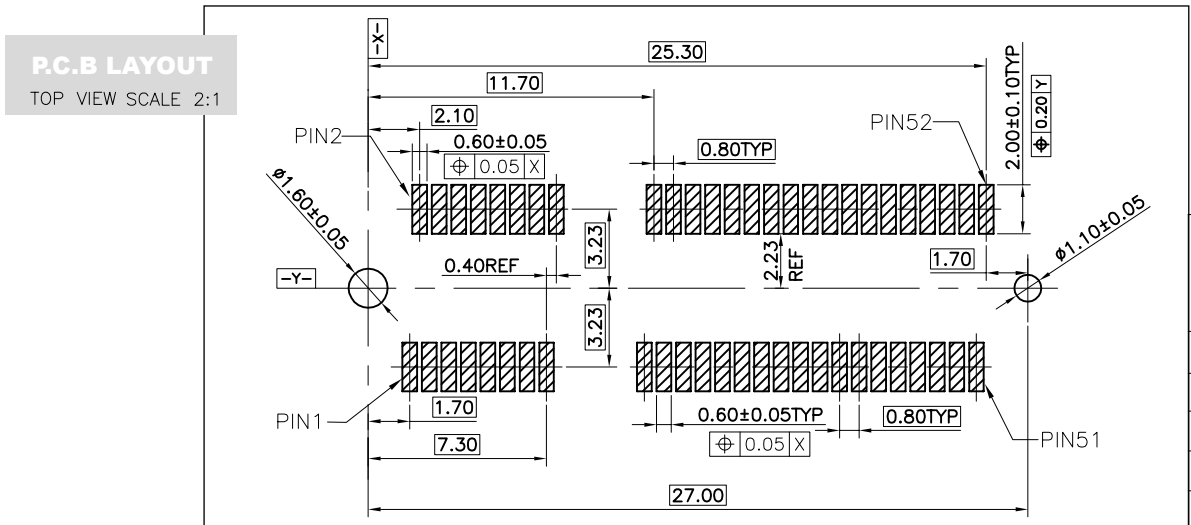
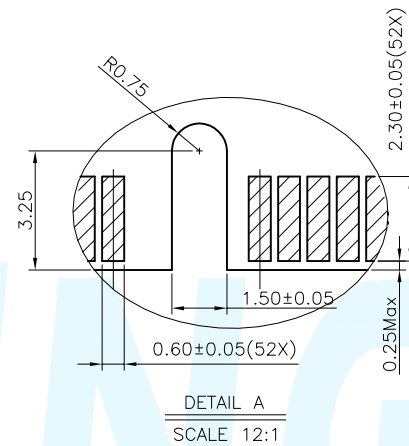
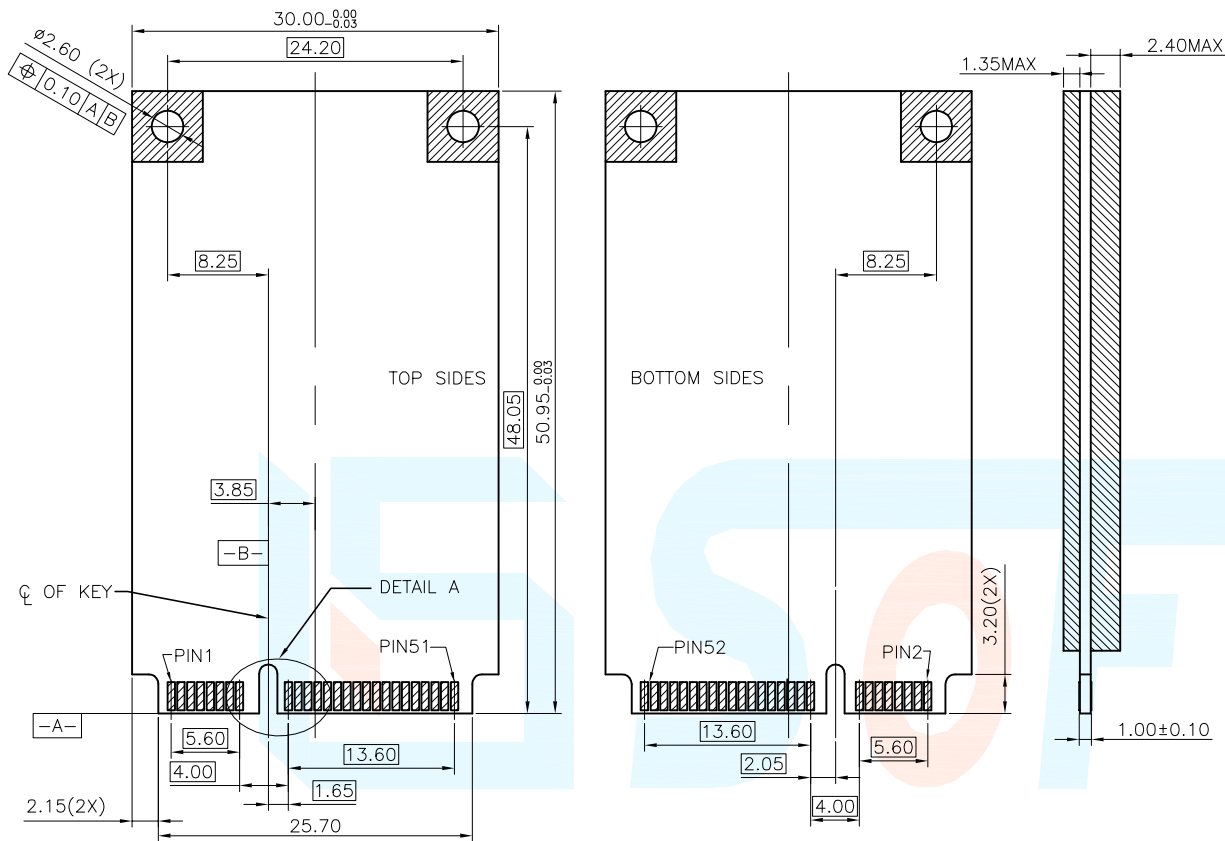
MATING & UNMATING FORCE: 2.3 Kgf MAX.
- ELECTRICAL PERFORMANCE,
  - VOLTAGE RATING: 25 V AC PER CONTACT.  
CURRENT RATING: 0.5 A.
  - LLCR: INITIAL 55m OHM MAX PER CONTACT..  
FINAL 20m OHM MAX
  - INSULATION RESISTANCE:  
500M OHM MIN
  - DIELECTRIC WITHSTAND VOLTAGE:  
AC 300V FOR 1 MINUTE BETWEEN ADJACENT CONTACTS.  
NO BREAKDOWN OR FLASH.  
CURRENT LEAKAGE:1mA.
- IR REFLOW:
 

THE PEAK TEMPRATURE ON THE BOARD SHALL BE MAINTAINED FOR 10 SECONDS AT 250±10°C,REFLOW TEMP:225°C,60 SECONDS.

|  |        |                |       |  |          |              |     |
|--|--------|----------------|-------|--|----------|--------------|-----|
| DIMENSION CLASSIFICATION   |        | 台灣碩方精密電子科技有限公司 |       | TAIWAN SOFNG PRECISION ELECTRONIC CO., LTD |          | SOFNG        |     |
| <input type="checkbox"/> : CRITICAL<br><input checked="" type="checkbox"/> : MAJOR |        | TITLE          |       | PCIE-52P69L 立贴式<br>H6.9mm腹膜52PCIE连接器       |          | 開關, 连接器      |     |
| TOLERANCE TABLE  |        | PART NO.       |       | PCIE-52P69L                                |          | SERIES SD106 |     |
| .X   | ± 0.40 | APPROVED       | Peck  | DWG NO.                                    | SOF-G006 |              |     |
| .XX  | ± 0.25 | CHECKED        | Paul  | SCALE                                      | 1:1      | UNIT         | mm  |
| .XXX   | ± 0.10 | DRAWIN         | David | REV  | AO       | SIZE         | A4  |
| ANGLE  | ± 2°   |                |       | REV  | AO       | SHEET NO.    | 1/1 |

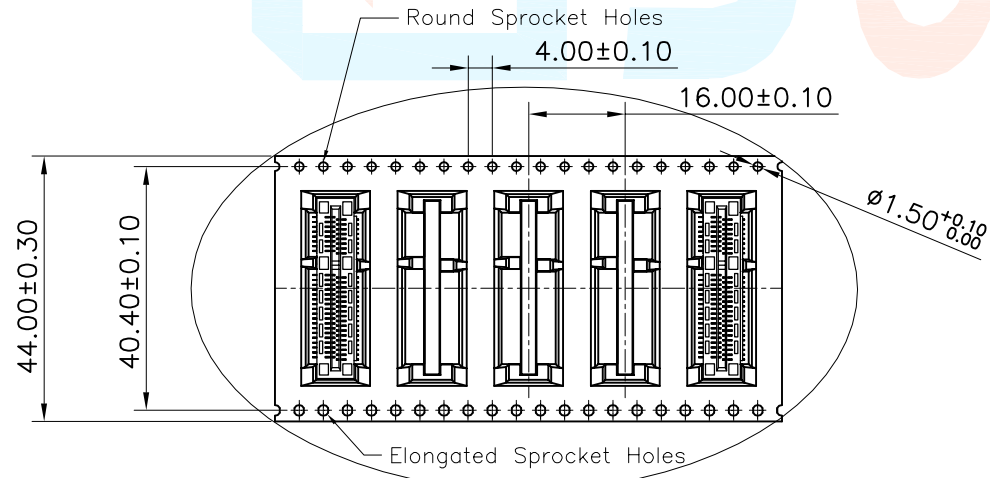
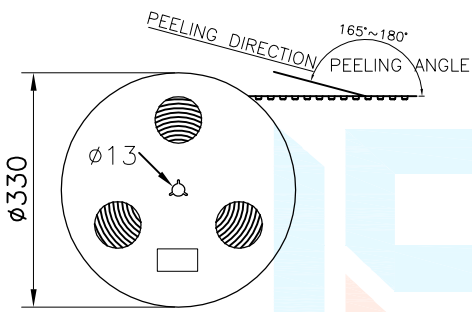
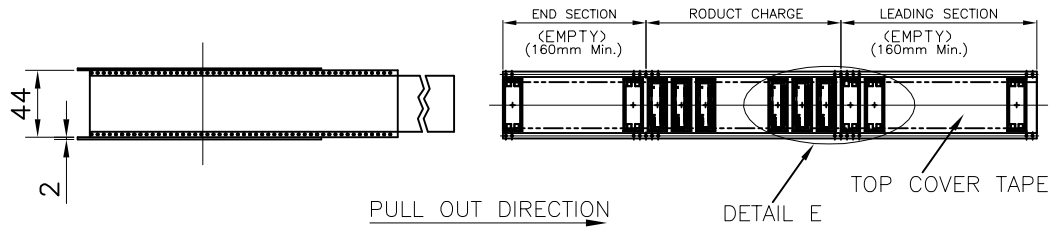


| REVISION |             |            |      |
|----------|-------------|------------|------|
| LTR      | DESCRIPTION | DATE       | APP  |
| A0       | NEW RELEASE | 05/20/2020 | PECK |
|          |             |            |      |



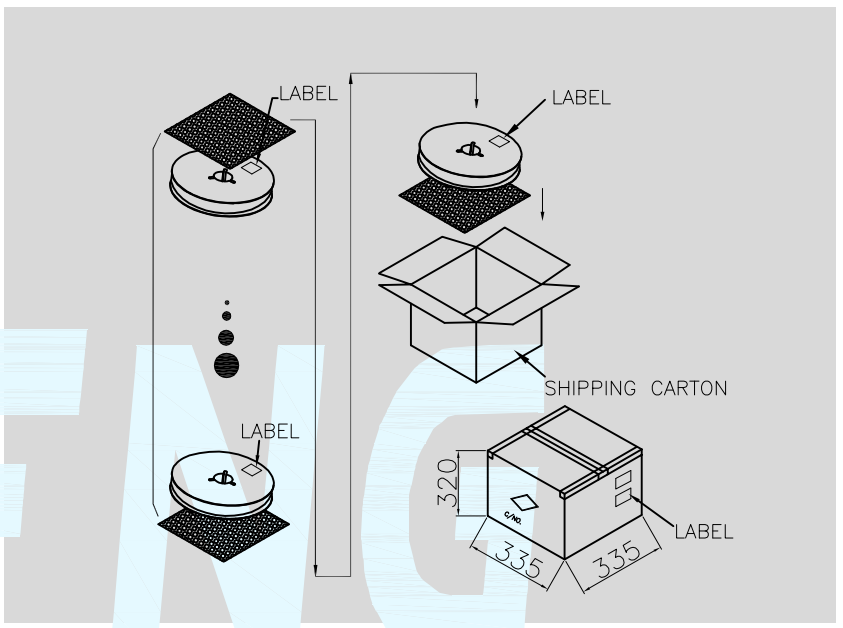
|                           |        |  |       |              |                 |
|---------------------------|--------|--|-------|--------------|-----------------|
| DIMENSION CLASSIFICATION  |        | 台灣碩方精密電子科技有限公司<br>TAIWAN SOFNG PRECISION ELECTRONIC CO., LTD |       | SOFNG        |                 |
| ■ : CRITICAL<br>☒ : MAJOR |        | TITLE<br>PCIE-52P69L 立贴式<br>H6.9mm腹膜52PCIE连接器                |       | 開關, 连接器      |                 |
| TOLERANCE TABLE           |        | PART NO. PCIE-52P69L   |       | SERIES SD106 |                 |
| .X                        | ± 0.40 | APPROVED   | Peck  | DWG NO.      | SOF-G006        |
| .XX                       | ± 0.25 | CHECKED  | Paul  | SCALE 1:1    | UNIT mm SIZE A4 |
| .XXX                      | ± 0.10 | DRAWN  | David | REV AO       | SHEET NO. 1/1   |
| ANGLE                     | ± 2°   |  |       |              |                 |

| REVISION |             |            |      |
|----------|-------------|------------|------|
| LTR      | DESCRIPTION | DATE       | APP  |
| A0       | NEW RELEASE | 05/20/2020 | PECK |
|          |             |            |      |




FEEDING DIRECTION →

DETAIL E  
SCALE 4:1



- NOTES:
- MATERIAL :
    - CARRY TAPE: PS
    - COVER TAPE: PET
    - SHIPPING CARTON: CORRUGATED FIBER
  - DIMENSION :
    - REEL: W=44.5,  $\phi A=330$
    - SHIPPING CARTON: L=335, W=335, H=320 (INNER)
  - QUANTITY :
    - PRIMARY PACKING: 600 PCS/REEL
    - SECONDARY PACKING: 4 REELS/CARTON(2400PCS)
  - PEELING RESISTANCE: 20gf~120gf.
  - PEELING SPEED: 300mm/minutes.

|  |        |  |       |   |                 |
|--|--------|--|-------|---|-----------------|
| DIMENSION CLASSIFICATION   |        | 台灣碩方精密電子科技有限公司<br>TAIWAN SOFNG PRECISION ELECTRONIC CO., LTD |       |  |                 |
| <input type="checkbox"/> : CRITICAL<br><input checked="" type="checkbox"/> : MAJOR |        | TITLE  |       | PCIE-52P69L 立貼式<br>H6.9mm腹膜52PCIE连接器<br>開關, 连接器<br><b>SOFNG</b>                       |                 |
| TOLERANCE TABLE  |        | PART NO.   |       | SERIES  |                 |
| .X   | ± 0.40 | PCIE-52P69L  |       | SD106   |                 |
| .XX  | ± 0.25 | APPROVED   | Peck  | DWG NO.   | SOF-G006        |
| .XXX   | ± 0.10 | CHECKED  | Paul  | SCALE 1:1   | UNIT mm SIZE A4 |
| ANGLE  | ± 2°   | DRAWIN   | David | REV AO  | SHEET NO. 1/1   |