

SLIDE SWITCH

Operation: SMT/贴片卧式 3PIN 小型 滑动开关 [柄长可定制]



LTEM NO.: MS-1290N (Series)

(L6.70mm×W2.75mm×H1.40mm SLIDE-SWITCH)

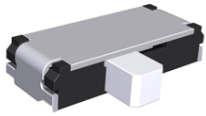
表面贴装 SMT

側向操作 LATERAL

精密部品 NICETY

可靠 STABILIZE

適合環保 RoHS

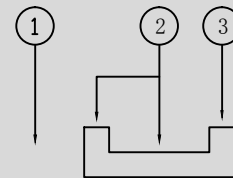


Technical parameter

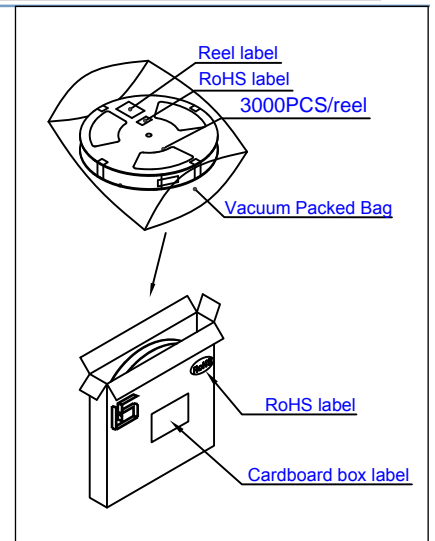
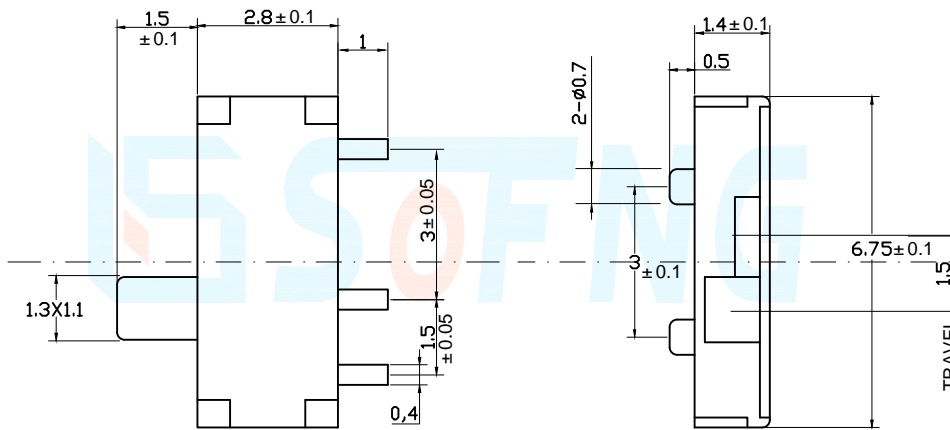
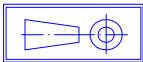
PROJECT	LEVEL	A[better product]	B[average product]
	Contact Rating	0.3A, 30V DC	
Electrical	Initial Contact Resistance	50mΩ max.	
Properties	Insulation Resistance	100MΩ min.500V DC	Skey/PD: 100MΩ min.300V DC
	Withstand Voltage	300V AC for 1 minute	250 V AC for 1 minut
Durable Performance	There No Load	15,000 Cycles	10,000 Cycles
	Rated Load	12,000 Cycles	8,500 Cycles
	Storage temp.	-25℃~+75℃(Operating Temp:)	
	Operating Force	1.6N. (1N.=100gram-force) ±0.5N	
	Heat Rrsistance	IR Reflow:255℃, 5sec. Manual :350℃, 3sec.	

Material declaration		
No.	NAME	Description
A	拨柄	PA46 耐热尼龙塑料
B	基座	LCP 30%G/F (Black)耐热塑胶
C	盖板	C5191R-H 磷铜[镀银]
D	弹片 1	Beryllium bronze 铍青铜[单面镀银]
E	嵌件	C5191R-H 磷铜[镀银] t=0.15mm
F	弹片 2	不锈钢 SUS304 t=0.2mm

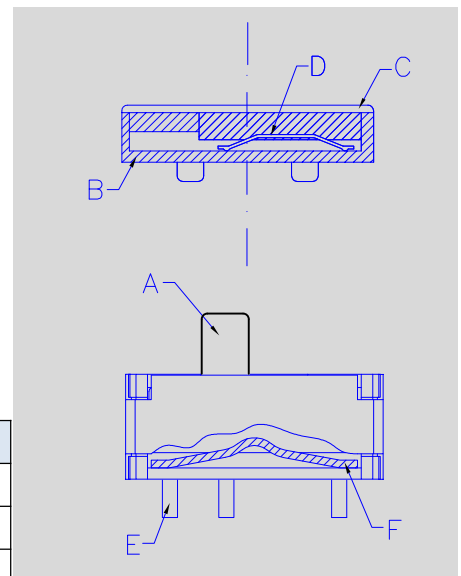
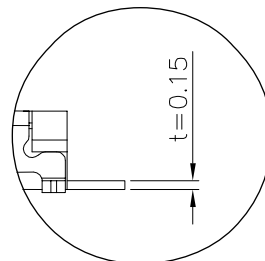
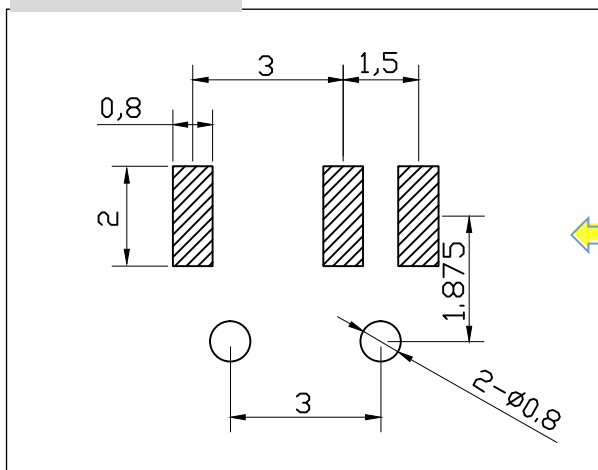
CIRCUIT DIAGRAM



Unit:mm



P.C.B LAYOUT



DECIMALS	ANGLES
.X : ±0.20	X.° : ±1.5°
.XX : ±0.10	X.X° : ±1.0°
.XXX : ±0.05	.XXX° : ±0.5°