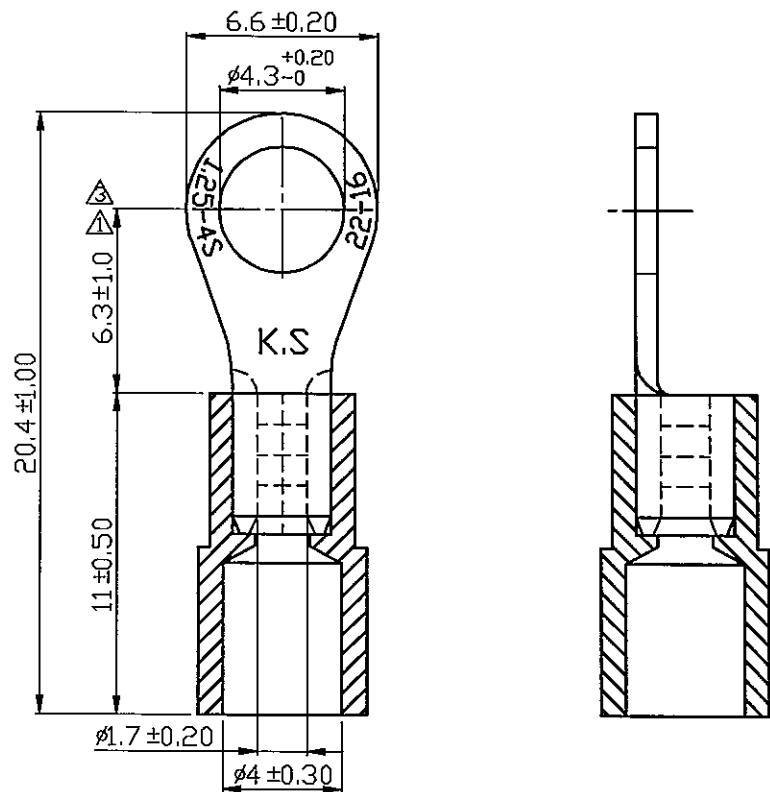


REV	DESCRIPTION	DATE
-----	-------------	------

△	RDK-97127	謝婉如 2009/09/18
△	RDK-98020	謝婉如 2009/09/18
△	RDCM-105125	郭瑞紋 2016/07/01



NOTE :

- MAXIMUM ELECTRIC CURRENT : 

A.W.G.	22	20	18	16
AMP.	9	12	17	18
- MAXIMUM ELECTRICAL RATING : 105°C 600 VOLTS MAX.
- INSULATION MATERIAL : NYLON
- INSULATION COLOR : RED
- TERMINAL MATERIAL : COPPER
- WIRE RANGE : 22-16 A.W.G. ( 0.5-1.5 mm<sup>2</sup> )
- TERMINAL SURFACE TREATMENT : TIN PLATED
- TERMINAL THICKNESS : 0.75 mm

Tolerance Unless Otherwise Specified	
0 >	mm ±
>	mm ±
>	mm ±
>	mm ±
>	mm ±
	ANGLE
0 >	° REF ±
>	° ±
>	° ±

NAME	NYLON-INSULATED RING TERMINALS			UNIT	mm	
PART NO.	RNYS1-4	MATERIAL	-----	APPROVE		
NUMBER	KA-951638-C	SCALE		CHECKED		
DATE	2007/07/13	4/1	1-3	10F1	DRAWN	吳金賢

**K.S.T. K.S. TERMINALS INC.**