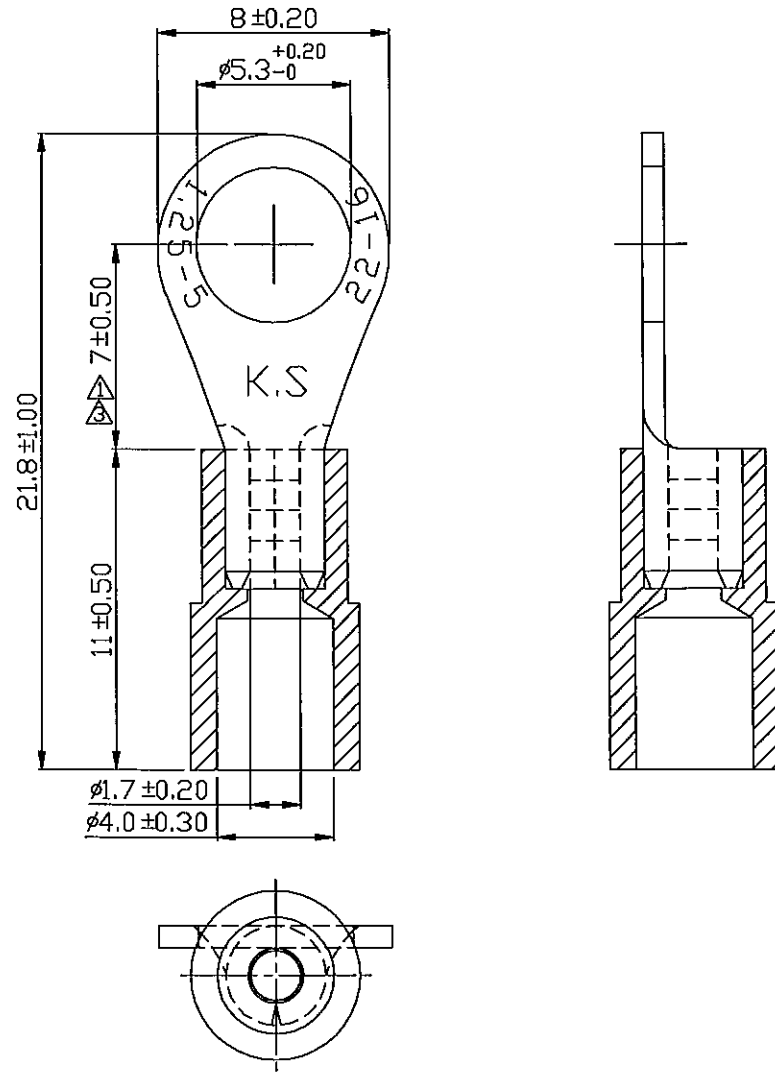


REV	DESCRIPTION	DATE
-----	-------------	------

△	RDK-97127	謝婉如 2009/09/18
△	RDK-98020	謝婉如 2009/09/18
△	RDCM-106052	林淑慎 2017/03/21



NOTE :

- MAXIMUM ELECTRIC CURRENT :

A.W.G.	22	20	18	16
AMP.	9	12	17	18
- MAXIMUM ELECTRICAL RATING : 105°C 600 VOLTS MAX.
- INSULATION MATERIAL : NYLON
- INSULATION COLOR : RED
- TERMINAL MATERIAL : COPPER
- WIRE RANGE : 22-16 A.W.G. (0.5-1.5 mm²)
- TERMINAL SURFACE TREATMENT : TIN PLATED
- TERMINAL THICKNESS : 0.75 mm

△ Tolerance Unless Otherwise Specified	
0 >	mm ± ANGLE
>	mm ± 0° ° REF ±
>	mm ± ° ° ±
>	mm ± ° ° ±

NAME	NYLON-INSULATED RING TERMINALS			UNIT	mm	
PART NO.	RNY1-5	MATERIAL	-----	APPROVE		
NUMBER	KA-951640-C	SCALE	SHEET	PAGE	CHECKED	
DATE	2007/05/08	4/1	1-3	10F1	DRAWN	張馨尹

KST® K.S. TERMINALS INC.