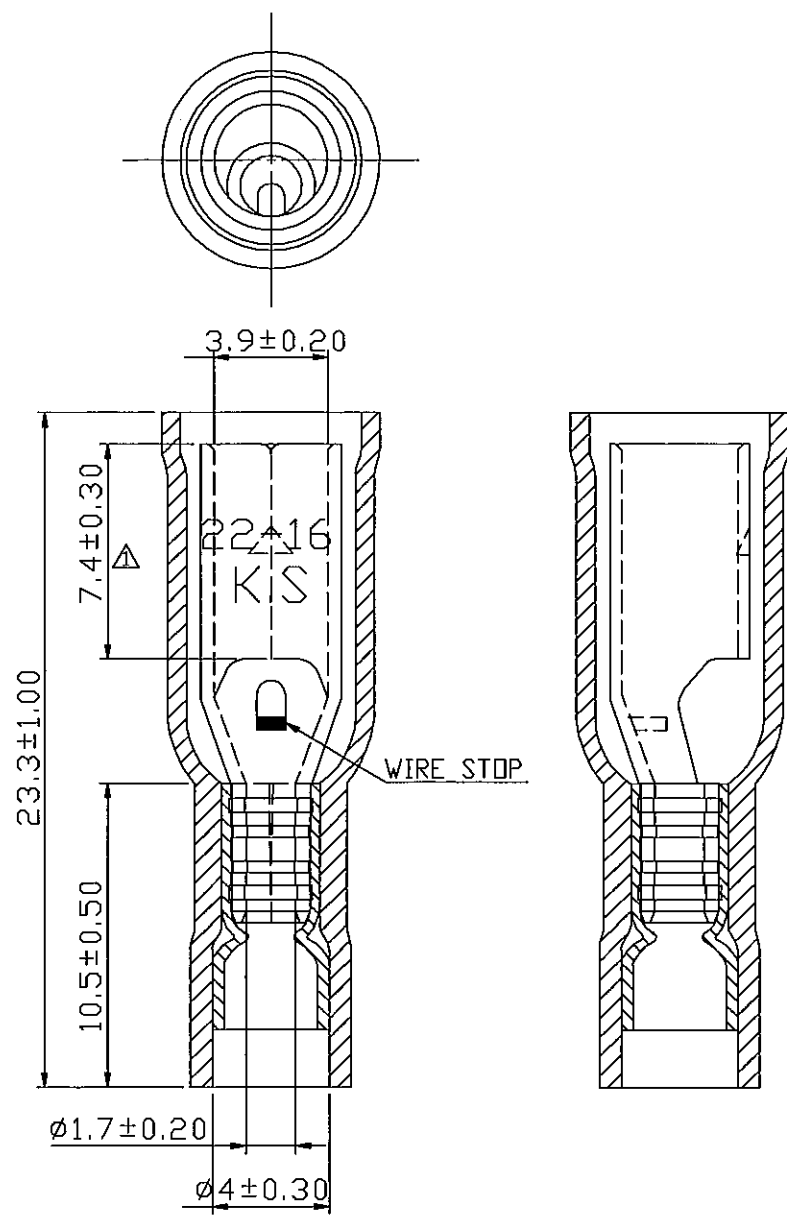


REV	DESCRIPTION	DATE
-----	-------------	------

△ RDK-109009

林淑娟 2021/11/23



NOTE :

1. MAXIMUM ELECTRIC CURRENT :

A.W.G.	22	20	18	16
AMP.	3	4	7	10
2. MAXIMUM ELECTRICAL RATING : 75°C 600 VOLTS MAX.
3. INSULATION MATERIAL : VINYL
4. INSULATION COLOR : RED
5. TERMINAL MATERIAL : BRASS
6. WIRE RANGE : 22-16 A.W.G. (0.5-1.5 mm²)
8. DOUBLE CRIMP : WITH COPPER SLEEVE ON BARREL
9. TERMINAL SURFACE TREATMENT : TIN PLATED
10. TERMINAL THICKNESS : 0.40 mm

Tolerance Unless Otherwise Specified	
0 > 6 mm ± 0.20	ANGLE
6 > 18 mm ± 0.30	0° > ° REF ±
18 > 30 mm ± 0.40	> ° ±
30 > 75 mm ± 0.50	> ° ±

NAME	VINYL-INSULATED DOUBLE CRIMP RECEPTACLE DISCONNECTORS			UNIT	mm
PART NO.	FRD1-156	MATERIAL	-----	APPROVE	<i>張馨尹</i>
NUMBER	KA-95172-C	SCALE	REV.	SHEET	CHECKED <i>柯博輝</i>
DATE	2006/03/27	4/1	1-1	10F1	DRAWN 張馨尹

KST. K.S. TERMINALS INC.