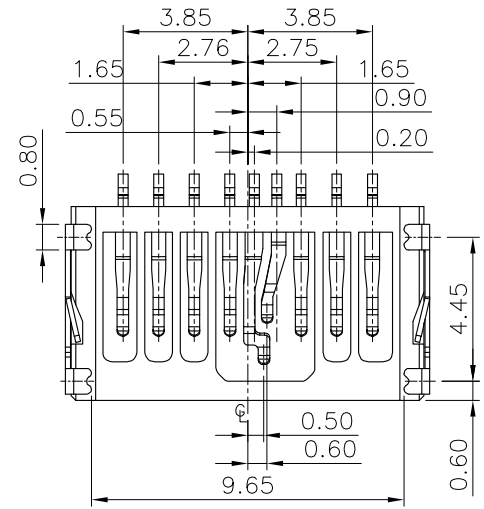
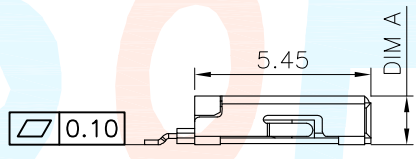
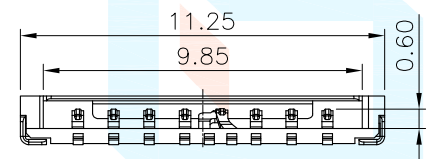
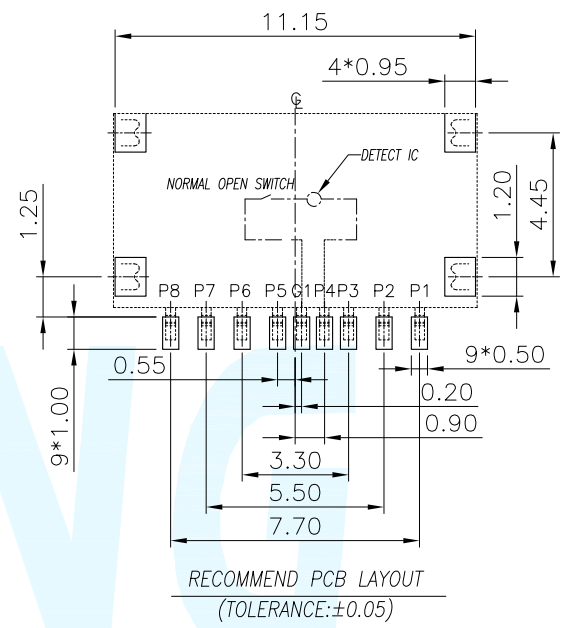
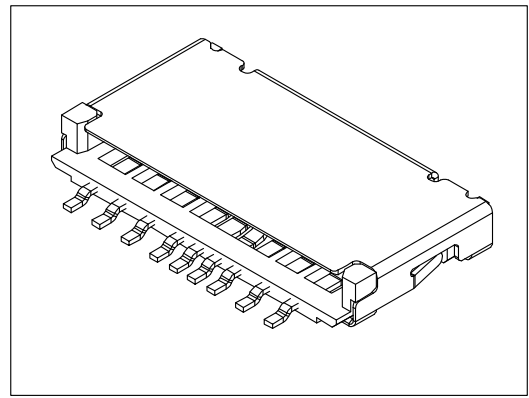
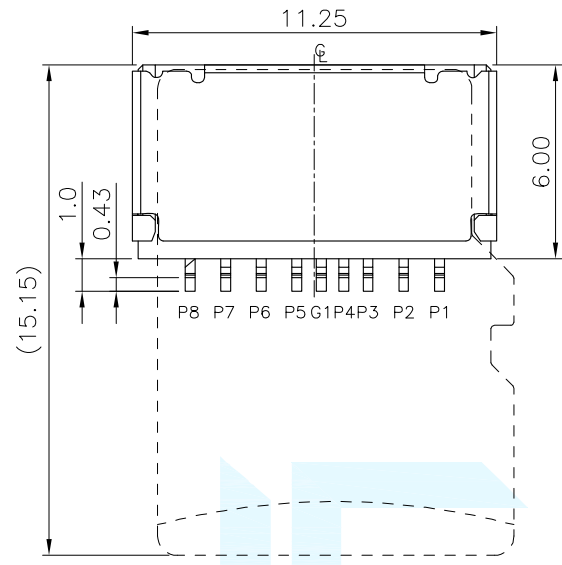


REVISION			
LTR	DESCRIPTION	DATE	APP
A0	NEW RELEASE	01/19/2022	PECK



Pin No.	Pin assignment
PIN1	DAT2
PIN2	CD/DAT3
PIN3	CMD
PIN4	VDD
G1	SWITCH
PIN5	CLK
PIN6	VSS
PIN7	DAT0
PIN8	DAT1

Pin No.	DIM A
TF-003B-H17	1.70
TF-003B-H15	1.50

Specification:

- ELECTRICAL CHARACTERISTICS
 - CONTACT RESISTANCE: 80 milliohms MAX.
 - INSULATION RESISTANCE: 1,000 Megohms MIN.
 - DIELECTRIC WITHSTANDING VOLTAGE: 500V AC FOR 1 MINUTE.
- MECHANICAL CHARACTERISTICS
 - DURABILITY: 5,000 CYCLES
- RoHS 2002/95/EC COMPLIANT.

DIMENSION CLASSIFICATION		台灣碩方精密電子科技有限公司 TAIWAN SOFNG PRECISION ELECTRONIC CO., LTD			
■ : CRITICAL ☒ : MAJOR		TITLE		TF-003B 超薄簡易短體TF卡座	
TOLERANCE TABLE		PART NO.		SERIES SD106	
.X	± 0.40	APPROVED Peck		DWG NO. TF-003B	
.XX	± 0.25	CHECKED Paul		SCALE 1:1 UNIT mm SIZE A4	
.XXX	± 0.10	DRAWIN David		REV AO SHEET NO. 1/1	
ANGLE	± 2°				