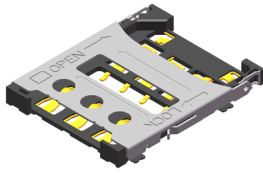




**LTEM NO.:** SNO-1306-X (Consumer Electronics)

(13.3L×11.0W×1.35H & NANO-SIM Sockets)

## MEMORY-CARD-SOCKETS



### Technical parameter

内焊贴装 SMT

PROJECT	LEVEL	A[better product]	B[average product]
		Contact Rating	
<b>Electrical Properties</b>	Initial Contact Resistance	50mΩ max.	80mΩ max.
	Insulation Resistance	100MΩ min.500V DC	
	Withstand Voltage	500V AC for 1 minute	350 V AC for 1 minut
<b>Durable Performance</b>	There No Load	5,000 Cycles	3,500 Cycles
	Rated Load	3,500 Cycles	2,500 Cycles
	Storage temp.	-35℃~+75℃(Operating Temp: )	

正向操作 LATERAL

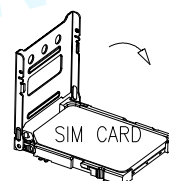
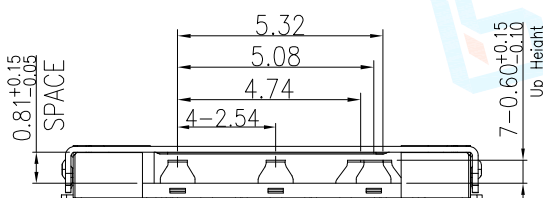
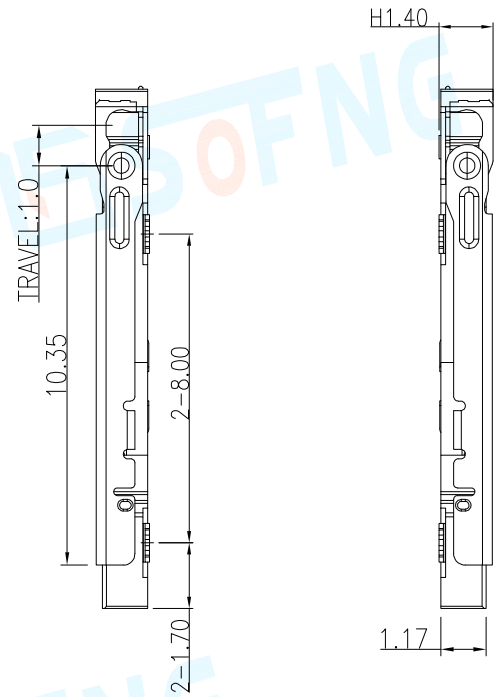
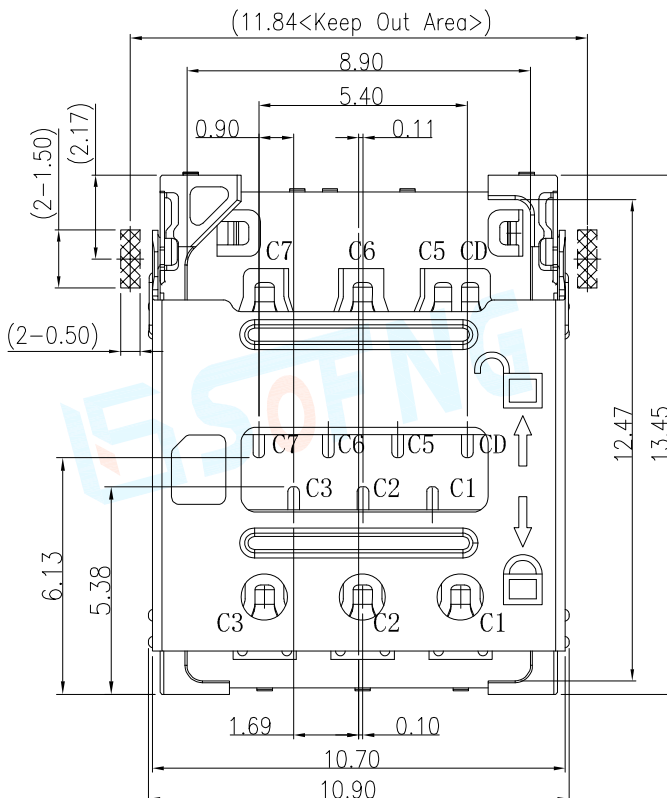
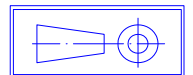
精密部品 NICETY

可靠 STABILIZE

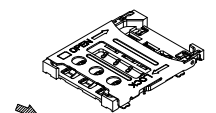
適合環保 RoHS

Page1

Unit:mm



1. PLACE SIM CARD, THEN HINGE THE SHELL



2. SLIDE THE SHELL, CARD LOCKED

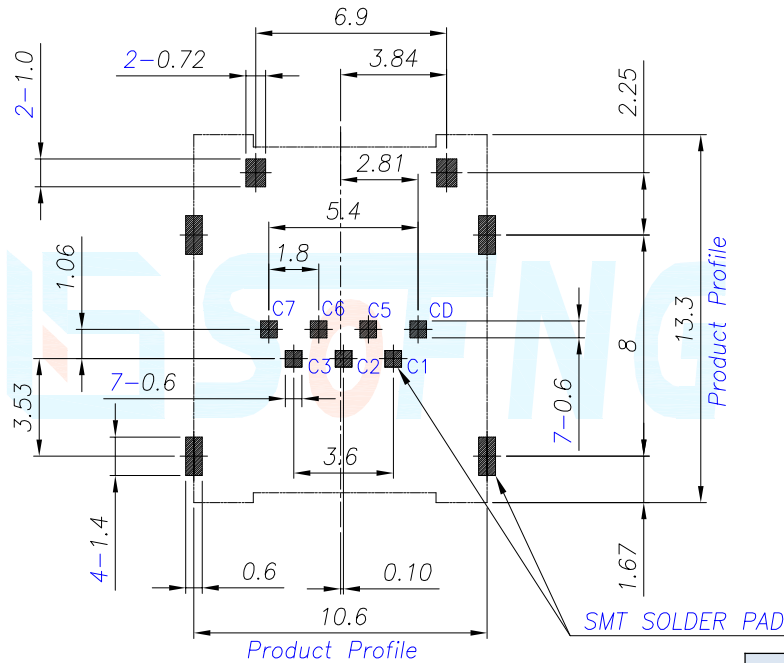
**Operating Force**

Inward  
Exiting

4.0~6.0N. (1N.=100gram-force)  
4.0~6.0N. (1N.=100gram-force)

**Solder-ability (Max.)**

IR Reflow:255°C,5sec. Manual:350°C,3sec.

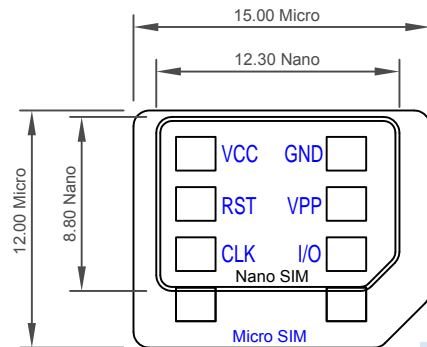


Pin definition

DECIMALS	ANGLES
.X :±0.20	X.° :±1.5°
.XX :±0.10	X.X° :±1.0°
.XXX :±0.05	.XXX° :±0.5°

**SIM CARD Pin DESIGN**

Pin No.	Pin NAME	Type	Description
C ①	卡電源	1	VCC
C ②	復位	1	RST
C ③	時鐘	1	CLK
C ④	Reserved	1	Reserved
C ⑤	接地	1	GND
C ⑥	Vpp	1	VPP
C ⑦	輸入/輸出	1	I/O
C ⑧	Reserved	1	Reserved

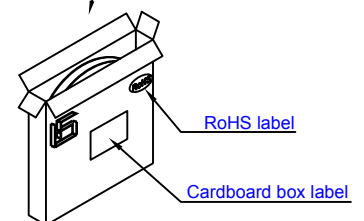
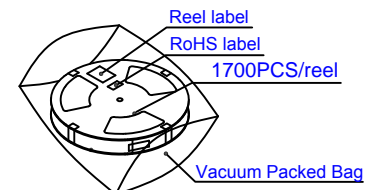


Reference

NANO-SIM

Material declaration

NAME	MATERIAL	PLATING
1 基座 HOUSING	LCP 耐热塑胶 (UL94V-0)BLACK	SET
2 接触端子 TERMINAL	C5210-EH (t=0.12mm)磷铜【镍基 Ni50u" 镀金 1u"】	G/F
3 上盖 COVER	SUS304(t=0.15mm)不锈钢【GND 焊点镀金 1u"】	G/F



注記 NOTICE

1. 碩方公司擁有最終解釋權; The SOFNG company reserves the right of final interpretation;
2. 文件禁止外洩、轉載; Leaked and reproduced prohibited;
3. 未經授權修改無效。Modify is invalid.