

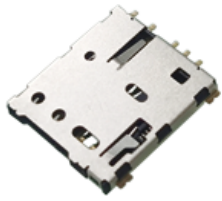
Operation: 自锁型 PUSH-PUSH & NANO-MEMORY-CARD-SOCKETS(NM)卡座



LTEM NO.: NM-008 (Consumer Electronics)

(14.0L×12.45W×1.65H & NANO-SIM Sockets)

MEMORY-CARD-SOCKETS



Technical parameter

表面贴装 SMT

侧向操作 LATERAL

精密部品 NICETY

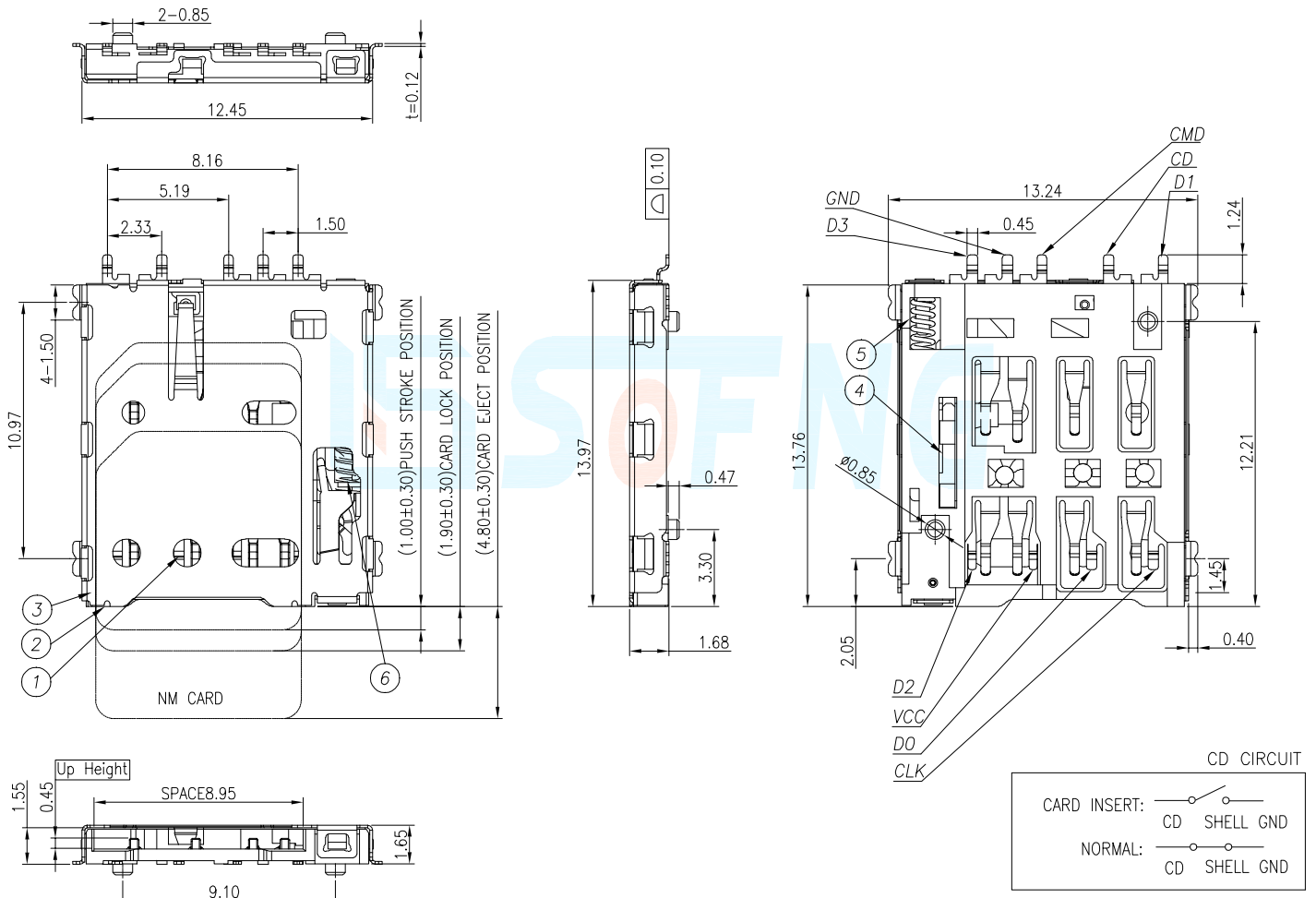
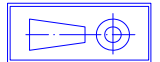
可靠 STABILIZE

适合环保 RoHS

PROJECT	LEVEL	A[better product]	B[average product]
Electrical Properties	Contact Rating	0.5A, 30V DC	
	Initial Contact Resistance	50mΩ max.	80mΩ max.
	Insulation Resistance	100MΩ min.500V DC	
	Withstand Voltage	500V AC for 1 minute	350 V AC for 1 minut
	Durable Performance	There No Load	7,000 Cycles
Rated Load		6,000 Cycles	5,000 Cycles
Storage temp.		-35℃~+75℃(Operating Temp:)	

Page1

Unit:mm



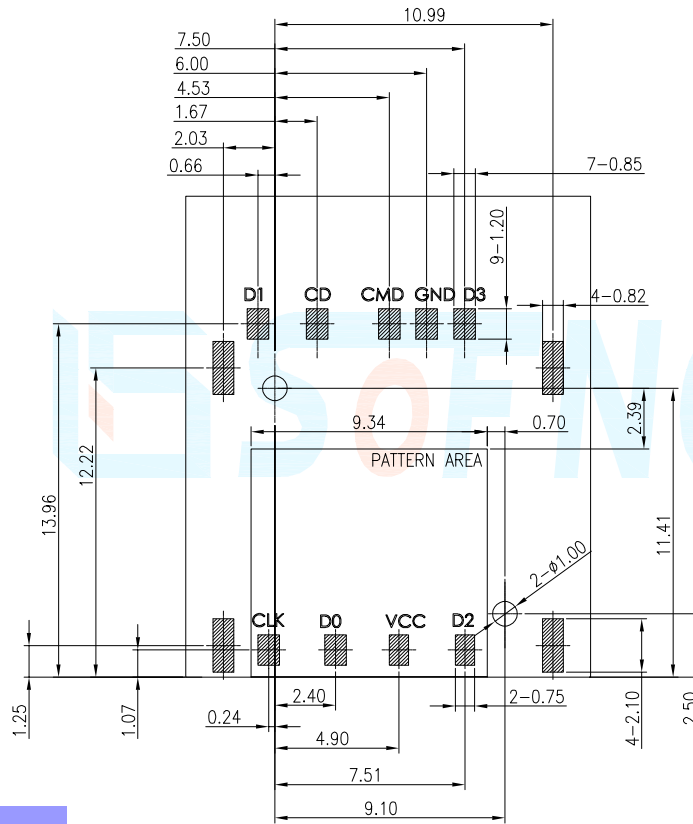
Operating Force

Inward
Exiting

8.5~12.0N. (1N.=100gram-force)
7.0~10.0N. (1N.=100gram-force)

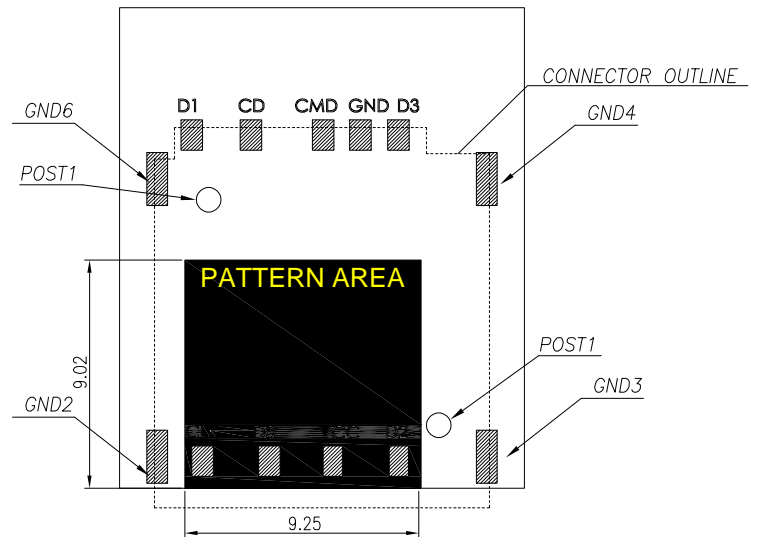
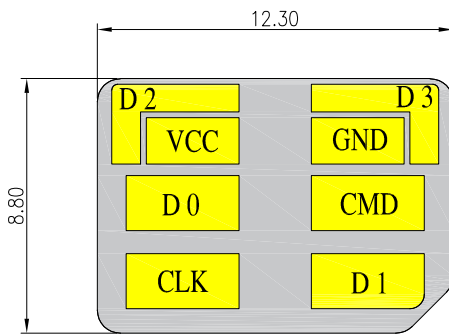
Solder-ability (Max.)

IR Reflow:255°C, 5sec. Manual:350°C, 3sec.



Pin definition

NM CARD



Material declaration

NAME	MATERIAL	PLATING
① CONTACT	[COPPER ALLOY] Contact gold flash plating	G/F
② HOUSING	[GLASS FILLED LCP] (UL94V-0) BLACK	SET
③ SHELL	[STAINLESS STEEL]SUS304(t=0.12mm)	-
④ SLIDER	[GLASS FILLED LCP] (UL94V-0) BLACK	SET
⑤ SPRING	[STEEL]SWP-B(φ=0.30mm)	-
⑥ HOOK	[STAINLESS STEEL]SUS304 OD=0.21mm	-

注記 NOTICE

1. 碩方公司擁有最終解釋權；The SOFNG company reserves the right of final interpretation;
2. 文件禁止外洩、轉載；Leaked and reproduced prohibited;
3. 未經授權修改無效。Modify is invalid.