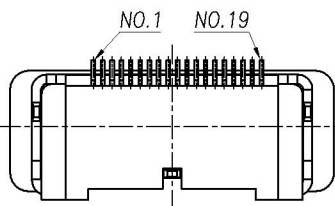
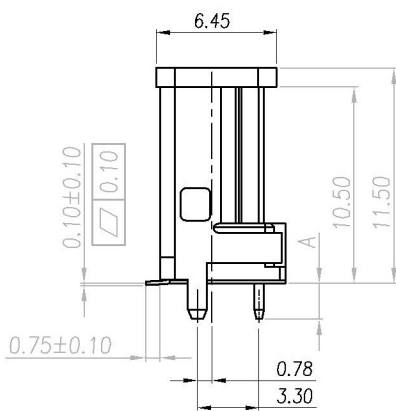
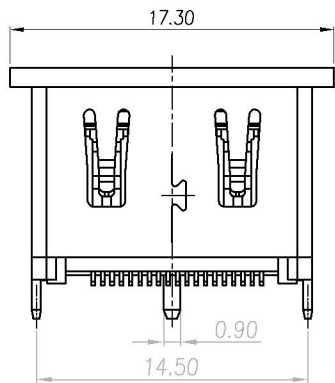


RECOMMENED P.C.B. LAYOUT(T=1.6mm)

TOLERANCES UNLESS OTHERWISE SPEC.±0.05



1.90
1.50
2.70
A

NOTES:

- 1.) MATERIAL:
 - 1-1. HOUSING AND COVER:LCP,UL 94V-0,COLOR:BLACK;
 - 1-2. CONTACT:BRASS T=0.20;
 - 1-3. SHELL:BRASS OR SPCC T=0.50;
- 2.) FINISH:
 - 2-1. CONTACT: Au PLATING ON CONTACT AREA,(SEE P/N DESCRIBING) MATTE PURE Sn 120u" Min. PLATING ON SOLDER TAILS,50u" MIN. Ni UNDERPLATING OVERALL;
 - 2-2. SHELL&SUPPORT: PLATING Ni 80u".
- 3.) SPECIFICATIONS:
 - 3-1. VOLTAGE RATING: 40V
 - 3-2. CURRENT RATING: 0.5A
 - 3-3. INSULATION RESISTANCE: 100MEG.OHM MIN
 - 3-4. CONTACT RESISTANCE: 30 MILL.OHM MAX
 - 3-5. OPERATION TEMPERATURE: -20° TO +85°
 - 3-6. INSERT FORCE: 44.1N MAX
 - 3-7. EXTRACT FORCE: 9.8N MIN
 - 3-8. DURABILITY: 10000 CYCLES
 - 3-9. CONTACT PULL OUT FORCE:2.99N/PIN



深圳市连欣科技有限公司

TOLERANCE: X.X ±0.30 X.XX ±0.25 X.XXX ±0.15 X.' ±2' X.X' ±0.5'	DRAWN BY : 陈一鸣	DATE : 2014-02-23	PART NAME: HDMI A TYPE 180*??	
	CHECKED BY: 马跃	DATE : 2014-02-23	PART NO. XDHF-1901-0150	MOLD NO.
UNIT: mm [inch]	APPROVED BY: 邱国夷	DATE : 2014-02-23	DRAW NO.: LX-HDMI17102115	SHEET NO.: 1 OF 1
SCALE:1:1	SIZE: A4			